

KEYLIGHT

LIGHTING CATALOGUE 17/18

PRODUCT INDEX

FORWORD

AN INTRODUCTION TO KEYLIGHT	4
-----------------------------	----------

INTERIOR

RECESSED CIRCULAR	22
RECESSED SQUARE	74
SURFACE CIRCULAR	120
SURFACE SQUARE	140
TRACK LIGHTING	160
PENDANT LUMINAIRES	194
WALL LUMINAIRES	224
PROFILES & LINEAR LINE	242
STRIPES & LEDLINES	252
EMERGENCY LUMINAIRES	258



EXTERIOR

WALL LUMINAIRES	264
RECESSED & SURFACE	280
OUTDOOR LUMINAIRES	286

INFORMATION

SLM & DLM INFORMATION	300
-----------------------	------------

KEYLIGHT

THE RIGHT KEY TO YOUR PROJECT





THE RIGHT ADVICE AND FAST DELIVERY IS TOP PRIORITY

Keylight International is a Dutch supplier of LED lighting solutions for professional indoor and outdoor lighting applications. For many years Keylight has developed standard and customized lighting solutions, with the aim to respect the design, ergonomics, economic efficiency and energy reduction. This gives us the extra value. Keylight has an international customer base. Our customers exist of distributors, importers and project designers in the Netherlands and Europe. We produce LED luminaires for use within all kinds of public area's such as offices, banks, shops, shopping malls, parkings, hospitality and residential area's and outdoor LED luminaires designed to illuminate buildings, car-parks, petrol stations and parks. With the skillful combination of modern design, functionality and excellent lighting parameters we are able to produce lighting solutions for nearly all areas of application.

Located in Nijkerk, the Netherlands, Keylight employs a skilled team of lighting experts who are able to help our customers projects reach new highs in energy saving solutions and implementing the latest developments in LED technology against competitive prices. The right advice and fast delivery is top priority.

Keylight is committed to a Customer First attitude and provide the right service in fullfilling customer needs. We resolve to provide outstanding service before and after the sale, and take part in maintaining long term relationships with our customers. Together with our sales partners, from product selection and specification through delivery and beyond.

EXCLUSIVELY LICENSED BY PHILIPS

Keylight has creative ideas for new product applications and designs. Innovation creates opportunities and sparks new markets. It is one of the keys to grow any industry. We at Keylight are exclusively licensed by Philips to create new and innovative lighting solutions using the latest Philips technology and patents.



**LED Luminaires
and Retrofit Bulbs
Licensing Program**

Member
Keylight
International



WWW.KEY-LIGHT.NL/ABOUTUS



Track lighting spot Paso

RETAIL

THE RIGHT LIGHT MAKES YOUR PRODUCTS SELL ITSELF AND APPEAR MORE ATTRACTIVE IN A RETAIL ENVIRONMENT.

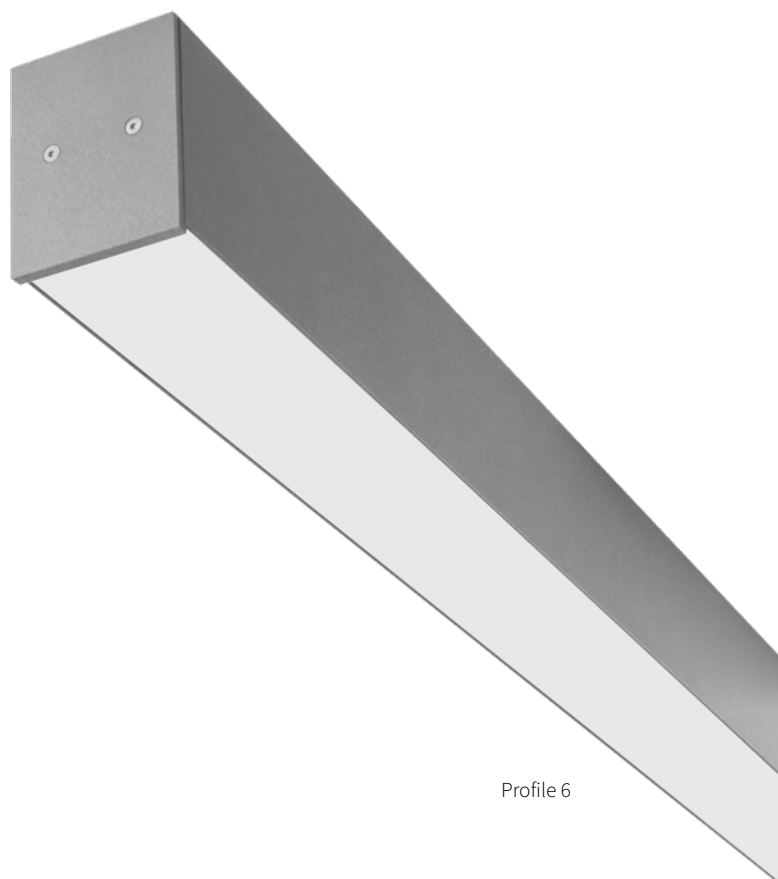
We can offer a variety of LED light luminaires and a complementary range of electronic drivers for retail lighting, from downlights, spotlights to linear fixtures, each with their own, unique proposition and features designed around specific retail lighting applications. Dependent on the application, different elements come in to play, such as energy efficiency, color rendering ability, the correct color temperature, whiteness, color saturation or dynamic lighting.



OFFICE & INDUSTRY

CHOOSING THE RIGHT LIGHTING SOLUTION FOR THE OFFICE OR INDUSTRY SEGMENT CAN BE A CHALLENGE.

Luckily Keylight offers a wide variety of LED solutions like linear lighting, downlighting, highbay luminaires and many more. Thanks to our assortment of many different LED modules, all with their unique specifications like color temperature, DALI Dimmable options, high energy efficiency, CRI and lumen, our customers can customize their needs with special made designs. Whether you need simple or high output luminaires for industrial usage, our luminaires can be tailored to your demand.



Profile 6



Office linear lighting, Sonos. Design by DDOCK

CREATING A UNIQUE LIGHTING EXPERIENCE

With a superior color rendering index of CRI >80 or CRI >90, the complete Philips Fortimo LED SLM G6 range provides a fantastic color experience with deep color saturation, natural white tones and color consistence. What's more, the deep saturation of reds (R9), lives up to today's requirements in retail lighting.

Fortimo SLM G6 offers a wide range of color temperatures: warm white light in 2700, 3000 and 3500 K and neutral white light in 4000 K. And thanks to its exceptional color consistency and very limited color spread over lifetime, the quality of light in your store is assured.



“CrispWhite technology has given my store a real wow factor. My customers know it feels different, they just can't work out why.”

Quality of light has always been an essential aspect of lighting. In the past each lighting technology had its unique characteristics. For different quality of light, adoption of another lighting technology was required, i.e. halogen vs quartz metal halide. MASTERColour CDM technology changed this landscape completely; retailers had the choice between CRI 80 and CRI 90 light sources, different whitetones and a choice of various color temperatures.

With Fortimo LED SLM G6 we offer our customers an even wider range of options, all within one portfolio. This allows customers to select any light color, CRI, white tone and Lm package without having to change the complete fixture. This is what we call “ultimate flexibility”.





FORTIMO LED SLM G6

TAKE LED LIGHT QUALITY TO NEW
EXCEPTIONAL LEVELS”



The Fortimo LED SLM G6 offers a high quality of light and the opportunity to operate the system at high lumen per Watt to optimize luminaire design, or at high lumen output for optimum economic performance.



ATTRACTIVE RETAIL LIGHTING

Creating an attractive retail experience requires lighting perfection. Solutions that can bring out rich colors and crisp whites, highlight textures and finishes. So a store can be seen in the best possible light.

It's a challenge that inspires manufacturers and designers to take retail lighting to the next level. Used to its full potential in retail, lighting makes merchandise, brands, and businesses shine. With the latest generation of spot lighting, you can imagine new possibilities and offer unique lighting solutions for all your customer's needs.

The Fortimo LED SLM G6 range includes a full range of color temperatures, plus three additional types that are optimized for specific lighting applications: Premium White and CrispWhite for fashion retail stores and Food Premium Red and Food Warm White for food retail.



FORTIMO LED SLM G6 CRISP WHITE

Since its introduction, Fortimo LED SLM CrispWhite has revolutionized fashion retail applications. It's the first light source that can make whites appear pure, bright and crisp at the same time as making other colors appear warm, saturated and intense. Perfect for highend stores and chic boutiques. The result is a totally new color experience. So you can promise fashion retailers all the advantages of LED, but with the added benefit of enhanced rendering for both whites and colors.

Fortimo LED SLM CrispWhite is suitable for the two main applications in retail lighting. Designed to be used in accent spotlights and general downlighting, it creates color consistency across all light sources. Retailers can enjoy all the advantages of LED such as high energy efficiency, outstanding light quality and a long lifetime. But with the added benefit of enhanced rendering for both whites and colors – something that, until now, has only been possible with conventional light sources.

Retailers want lighting that makes the colors of clothes and fabrics appear rich, intense and vivid. And LED spot light sources with a warm color temperature are perfect for the job. Unfortunately, until now they tended to make whites look offwhite or yellowish. But that's all set to change – because with the new Fortimo LED SLM CrispWhite modules you can give your customers the best of both worlds: vivid colors and intense, pure whites.

Fortimo SLM CrispWhite at a glance:

- Unique combination of white rendering and rich colors from one LED source
- Chip-On-Board (COB) LED technology
- Powerful, compact and uniform light source
- Excellent beam control, small beam angle
- Long lifetime > 50,000 hours
- CRI 92 for deep, rich colors



FOR MORE INFORMATION, CHECK WWW.KEY-LIGHT.NL/CRISPWHITE



FORTIMO LED **SLM G6 PREMIUM WHITE**

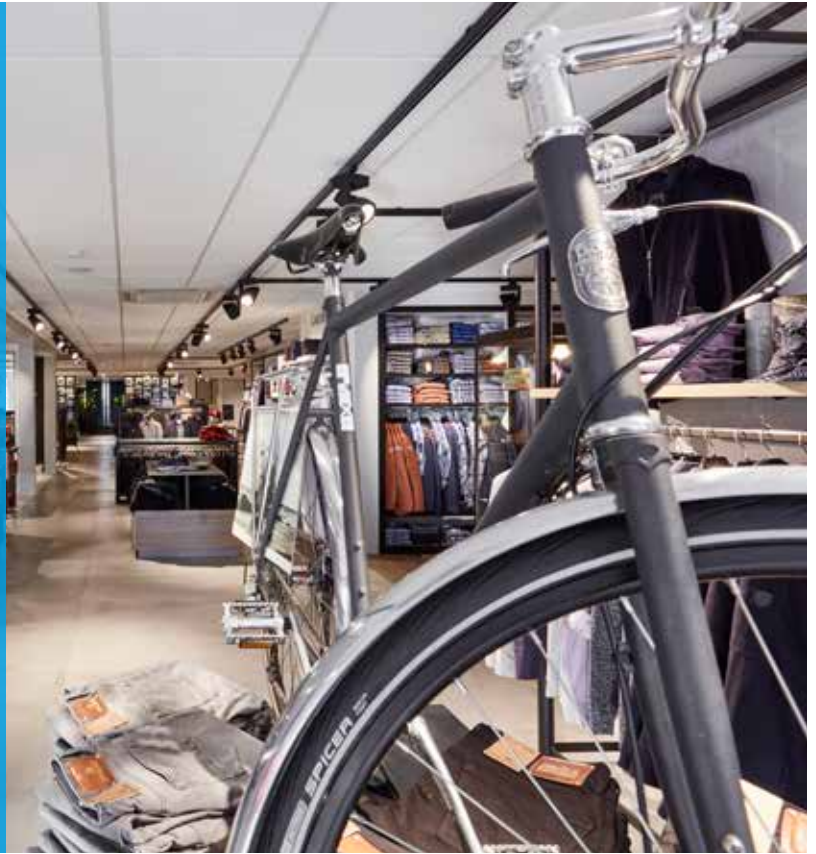
Excellent light quality with the perfect total cost of ownership; that's the ultimate combination that fashion retailers are looking for. Fortimo LED SLM Premium White achieves exactly the right balance with high rendering of colors and beautifully whites. The must-have light source for fashion stores and shopping malls.



CASE STUDY

As a relatively small retail business, we need to balance light quality with cost of ownership. When I saw PremiumWhite, I knew we had to have it. It delivers economy as well as quality, and still has the wow factor.”

MR. HENK BOSSENBROEK



Bossenbroek is a fashion retailer in the Netherlands that strives to provide an ultimate customer experience that keeps people coming back time and time again. Lighting is an essential part of that experience.

Henk Bossenbroek, owner, says, “At Bossenbroek, we aim to make customers feel as comfortable as possible. For some people, this means giving them the freedom to look around undisturbed, for others, it’s more about tips and advice. All customers, however, need to experience the products. This is where we make a true difference by providing an environment for touching, feeling, seeing and trying on our garments. And it’s here that lighting plays an important role in creating the right mood.”



THE CHALLENGE

Creating an attractive store experience in the fashion business requires very specific lighting. The solutions must bring out stunning whites and rich colors, as well as highlight textures and finishes. It’s this challenge that inspired Philips to design and continuously improve the Fortimo SLM LED system. Now in its 6th generation, the range includes a full range of color temperatures. This includes two types that are optimized for fashion store lighting applications: PremiumWhite and CrispWhite. While CrispWhite has revolutionized lighting in high-end fashion retail applications, PremiumWhite brings excellent light quality and low cost of ownership to a much wider group of fashion retailers. It fuses high rendering of colors and beautiful whites into a modern, energized and above all, natural store experience.

THE SOLUTION

Bossenbroek approached Keylight International, to create the right lighting plan and redesign the store’s lighting. After seeing a demonstration, Bossenbroek had no doubt selecting Fortimo SLM LED PremiumWhite for spot and accent lighting. Because of its excellent quality of light versus cost effectiveness, the choice was easy. Remco de Groot, Managing Director Keylight International, says, “Philips is the leading innovator of new lighting solutions, and the Fortimo SLM LED system continues that trend. So we choose Philips Lighting OEM because they offer this superb LED system for our products.”

KEY BENEFITS OF **PREMIUM WHITE**

Vision of Keylight: “The store wanted the colors of their clothes to look natural and the whites to be stunningly fresh. PremiumWhite does this without compromising on energy efficiency. Really impressive!”

Walk into a fashion store with Fortimo LED SLM Gen6 PremiumWhite lighting and the products on mannequins and in racks really stand out. The bright whites and stunning colors make a real difference. Thanks to the PremiumWhite modules being interchangeable, luminaire manufacturers can create different lighting effects throughout the store with just one consistent luminaire range. They can use the same design for all other colors too, thanks to standardized building blocks and flexible drivers.

The Fortimo SLM LED system offers a wide choice of color temperatures, lumen outputs and CRIs, simplifying the design of luminaires that can be optimized for specific applications. The light is easy to configure through Philips SimpleSet technology. Design-in is streamlined as the LEDs feature standardized optical, mechanical, electrical and thermal interfaces and have appropriate certification for quick luminaire approval. The Fortimo SLM LED system facilitate miniaturization and there's a full set of compatible thermal and optical components available.





PHILIPS FORTIMO LED **SLM G6 FOOD**

Food retailers want to make their fresh produce such as fruit, vegetables, bread and meat, look as attractive as possible. And luminaire manufacturers are helping them do so by creating lighting systems that emphasize the reds in fresh meat and tomatoes for example, or the warm brown-yellows in fresh bread. The correct light can have a hugely positive impact on shoppers' perception, creating an almost mouthwatering effect. That's why Philips has developed two new dedicated food light sources with optimally tuned light spectra. They provide superior color rendering that present fresh produce in the best possible light.

FORTIMO LED SLM G6 **FOOD WARM WHITE**



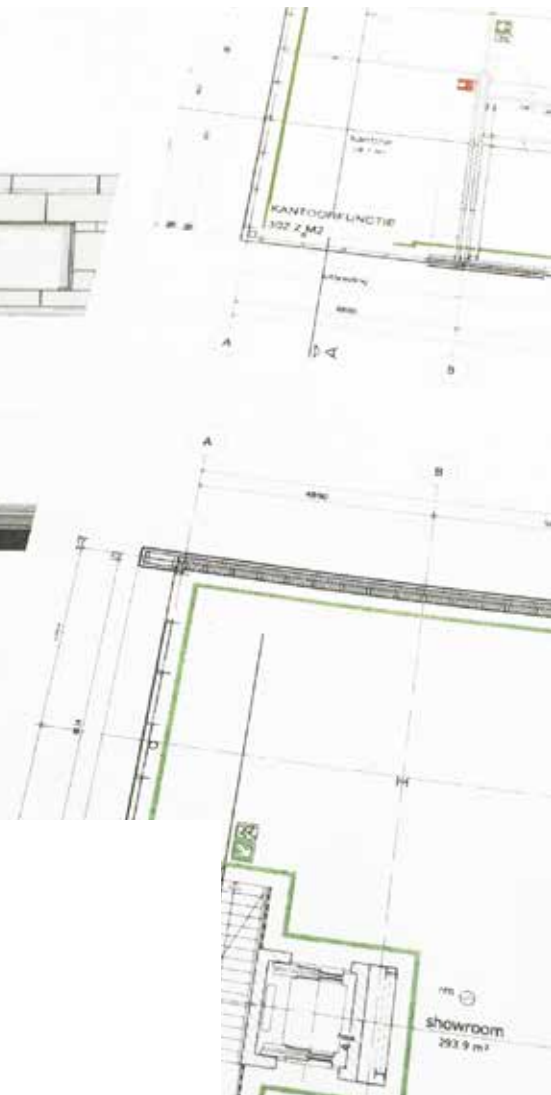
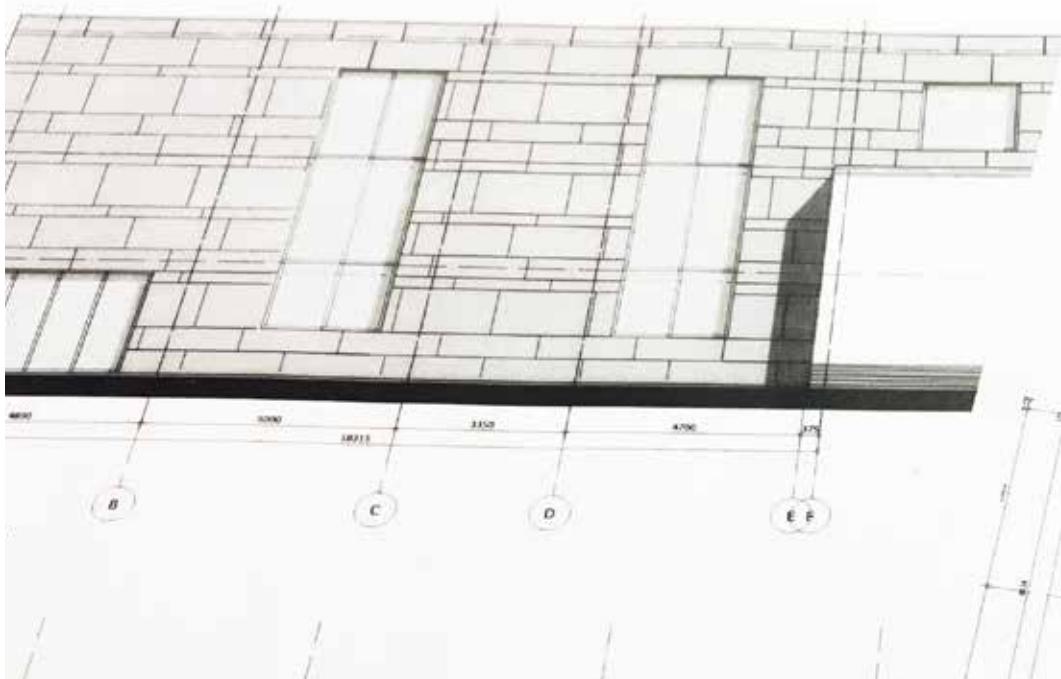
The Fortimo LED SLM Warm White creates a unique color impression that makes fresh food, such as fruit, vegetables and bread, look incredibly attractive. It brings out the natural brilliance of colors, especially greens, reds and yellows, making them appear warm and saturated.

FORTIMO LED SLM G6 **FOOD PREMIUM RED**



The Fortimo LED SLM Premium Red is a dedicated solution for fresh meat. It's been developed with a tuned color spectrum that enhances red, yet simultaneously presents white in a clear and fresh way. It's this punchy contrast between the two colors that enhances the appearance of fresh meat. So your solutions have more punch too.

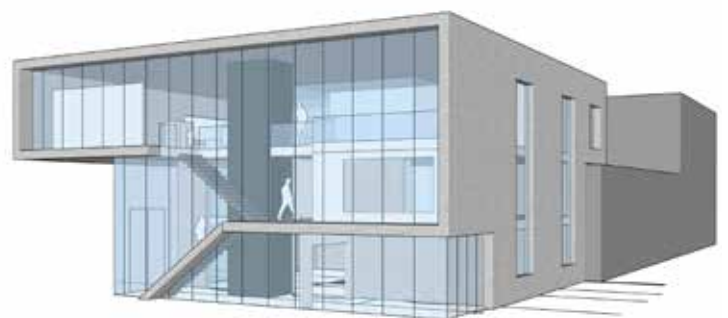
For more information about our Fortimo LED G6 Food modules, see key-light.nl

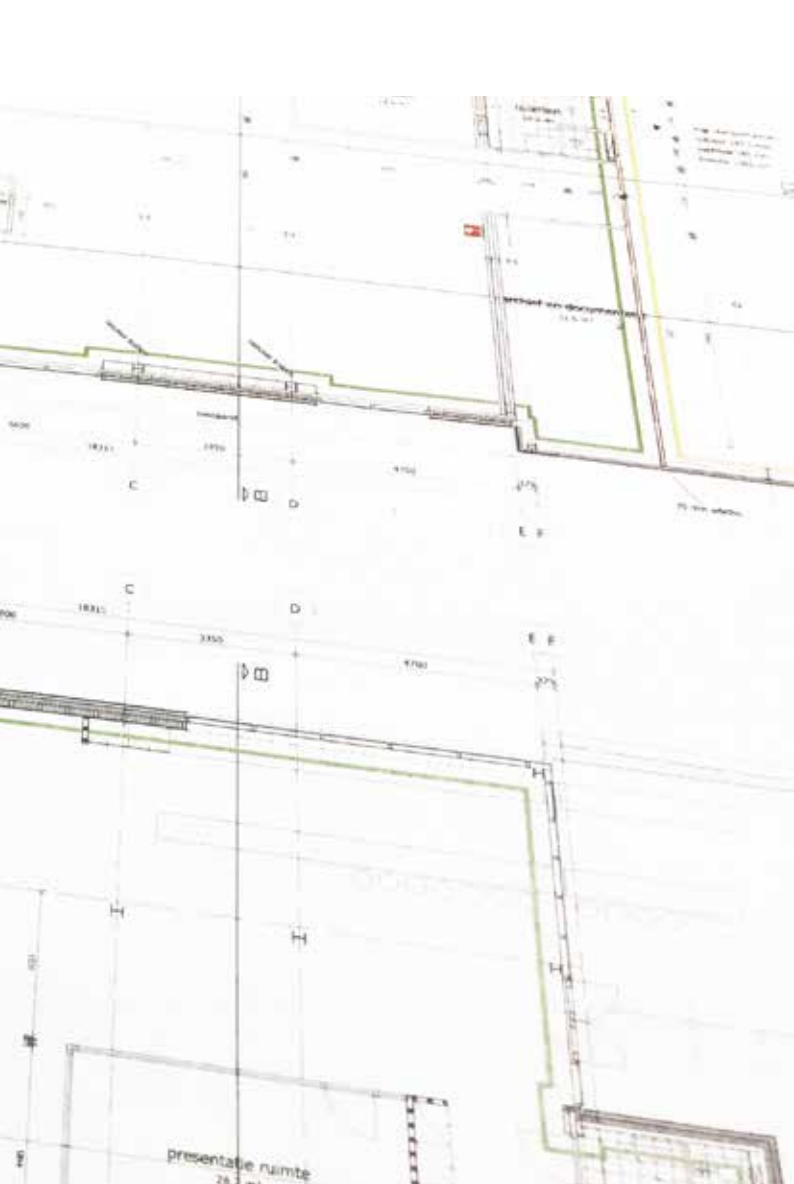


EXPANDING OUR BUSINESS FOR THE FUTURE

It's been nearly 10 years since we moved in our current headquarters. Lately we've been noticing an exceptional high demand in sustainable LED lighting solution. In order to meet this high demand we've decided to expand our production rate and therefor build an entirely new floor up on our current headquarters. Our cleanroom will become significantly larger, as well as our showroom and office space.

The demand for high quality LED solutions is getting bigger every year. For years we've been able to meet this demand but since the start of 2016 we noticed an exceptional and fast growth in the demand of sustainable LED lighting. Of course we can't stay in this question. This requires a different, more efficient and effective approach in producing our products. The conclusion was to bring our best ideas to the drawingtable and come up with a plan that places us ahead of the facts. The solution is to expand our current headquarters, our warehouse and production department significantly. We teamed up with our partner 4D achitects to make our dream become a reality.



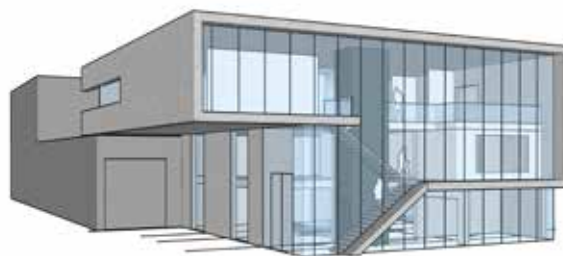


READY FOR WHAT LIES AHEAD

On the ground floor you'll find our main entrance, our warehouse and cleanroom. The cleanroom is where all the magic happens. This is where we produce our high quality range of sustainable LED lighting solutions and build products on our customers demand.

The first floor is where our skillful team does it's part in serving our customers and making Keylight a successful company.

On the second floor you'll find our showroom. Its packed with all the latest innovations in different areas of application, such as office, hospitality, retail and private home.



FACTSHEET

GROUND FLOOR

Entrance, Warehouse & Cleanroom

FIRST FLOOR

Office & development

SECOND FLOOR

Showroom & bar

A BRAND NEW IDENTITY BUT KEYLIGHT AS USUAL

Ofcourse we can't stay behind with our brand identity. Five years have passed since we decided to use purple as our main corporate color. Times change and nothing last forever. Inherent to the changed of our headquarters, our corporate identity changes as well. We've chosen for two different, fresh blue colors that fits perfectly with our new identity.



RECESSED CIRCULAR







GHIBLI R
PAGE 26



GHIBLI R TRIM
PAGE 27



STICK
PAGE 28



STICK TRIM
PAGE 29



AIR
PAGE 30



ALPHA CUP
PAGE 35



SPECTRA R
PAGE 36



BASE
PAGE 37



CAP R1 + CAP R2
PAGE 38 - 39



BINNY + BINNY D
PAGE 40 - 41



ALASKA
PAGE 46



MOON 17
PAGE 47



CALYPSO S
PAGE 48



CALYPSO O
PAGE 49



SHINE
PAGE 50



VISION 20
PAGE 55



NICE
PAGE 56



IOWA 11
PAGE 57



CARSON 14
PAGE 58



CARSON 18
PAGE 59



SOLAR 18
PAGE 64



SOLAR 22
PAGE 65



PLUTO 18 - 20
PAGE 66 - 67



SUN
PAGE 68



MOON 27
PAGE 69



AIR MAX
PAGE 31



STICK XL
PAGE 32



ALPHA R
PAGE 34



DEEP 10
PAGE 42



BAN 9
PAGE 43



CIRC 10 & 13
PAGE 44 - 45



NOVA
PAGE 51



ROLED
PAGE 53



VISION 15
PAGE 54



TRITON
PAGE 60



WHALE
PAGE 61



MOON 22
PAGE 62



STAR 18 / 28
PAGE 70



AUSTIN SERIES
PAGE 71 - 73

INTERIOR RECESSED CIRCULAR

AIR	PAGE 30
AIR MAX	PAGE 31
ALASKA	PAGE 46
ALPHA CUP	PAGE 35
ALPHA R	PAGE 34
AUSTIN SERIES	PAGE 71 - 73
BAN 9	PAGE 43
BASE	PAGE 37
BINNY + BINNY D	PAGE 40 - 41
CALYPSO O	PAGE 49
CALYPSO S	PAGE 48
CAP R1 + CAP R2	PAGE 38 - 39
CARSON 14	PAGE 58
CARSON 18	PAGE 59
CIRC 10 + CIRC 13	PAGE 44 - 45
DEEP 10	PAGE 42
GHIBLI R	PAGE 26
GHIBLI R TRIM	PAGE 27
IOWA 11	PAGE 57
MOON 17	PAGE 47
MOON 22	PAGE 62
MOON 27	PAGE 69
NICE	PAGE 56
NOVA	PAGE 51
PLUTO 18 + PLUTO 20	PAGE 66 - 67
ROLED	PAGE 53
SHINE	PAGE 50
SOLAR 18	PAGE 64
SOLAR 22	PAGE 65
SPECTRA R	PAGE 36
STAR 18/ 28	PAGE 70
STICK	PAGE 28
STICK TRIM	PAGE 29
STICK XL	PAGE 32
SUN	PAGE 68
TRITON	PAGE 60
VISION 15	PAGE 54
VISION 20	PAGE 55
WHALE	PAGE 61

GHIBLI R



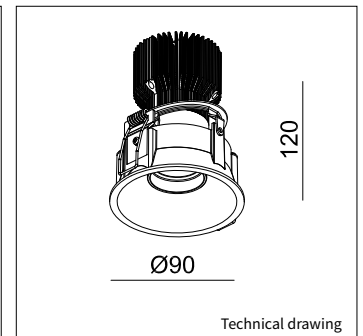
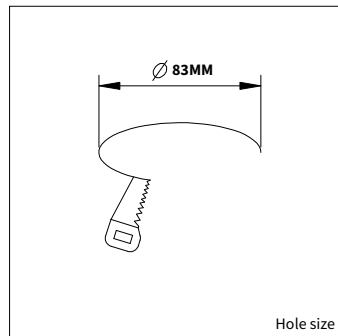
PRODUCT MATERIAL	Die-cast Aluminium
LIGHT SOURCE	Bridgelux V8
MODULE LIFETIME	Approx. 35.000 hours
DRIVER	Including driver
COLORS	<ul style="list-style-type: none"> ● 35 = RAL 9003 white + RAL 9005 black ● 5 = RAL 9005 black ● 7 = RAL 9037 grey
BEAM ANGLE	
ADJUSTABLE	Yes - 0-20° - 360°
SIZE	90 X 120MM



OPTIONS

OPTIONAL BEAM ANGLE	 art. no.: 4912.999.38.9	€ 5,00
REFLECTOR RING	White reflector ring art. no.: 4912.922.99.3	€ 9,50
	Black reflector ring art. no.: 4912.922.99.5	€ 9,50
	Gold reflector ring art. no.: 4912.922.99.9	€ 9,50
GLASS	Transparent art. no.: 4912.933.99.0	€ 7,50
	Honey comb art. no.: 4912.933.94.0	€ 7,50
	Frosted art. no.: 4912.933.90.0	€ 7,50
	Striped art. no.: 4912.933.96.0	€ 7,50
DIMMABLE DRIVERS 350mA <i>IN COMBINATION WITH THIS LUMINAIRE. ADDITIONAL PRICE</i>	1/10v Dimmable 350 mA 10W art. no.: 0110.350.10.1	€ 29,50
	Phase-cut Dimmable 350 mA 10W art. no.: 0110.350.10.1	€ 29,50
	Dimmable DALI 350 mA 18W art. no.: 0118.350.75.0	€ 55,00
DIMMABLE DRIVERS 500mA <i>IN COMBINATION WITH THIS LUMINAIRE. ADDITIONAL PRICE</i>	1/10v Dimmable 500 mA 10W art. no.: 0118.500.10.1	€ 29,50
	Phase-cut Dimmable 500 mA 10W art. no.: 0110.500.10.1	€ 29,50
	Dimmable DALI 500 mA 18W art. no.: 0118.500.75.0	€ 55,00

GHIBLI R



Reflector rings



Transparent Striped Frosted Honeycomb

INFORMATION

Incl. cable and plug.

Keylight International reserves the right to modify or change technical, construction or LED specifications due to continuous improvements of our products and light sources. The light source in this product can be replaced with an equivalent module made by Philips, Osram or Tridonic.

ART.NR.	LAMP TYPE	BRAND	LUMINOUS FLUX	OUTPUT POWER	MODULE EFFICIENCY	COLOUR TEMPERATURE	CRI	TC LIFETIME	mA
Δ see colors									
4915.179.26.Δ	V8 LED	Bridgelux	550LM	6,2W	88LM/W	2700K	>90	50.000 Hrs	350
4915.180.26.Δ	V8 LED	Bridgelux	745LM	9,2W	81LM/W	2700K	>90	50.000 Hrs	500



GHIBLI R TRIMLESS

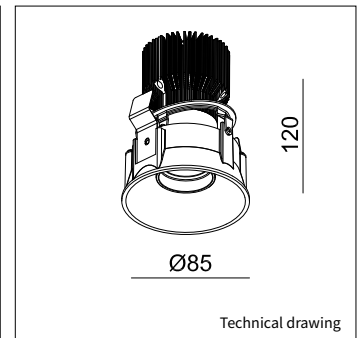
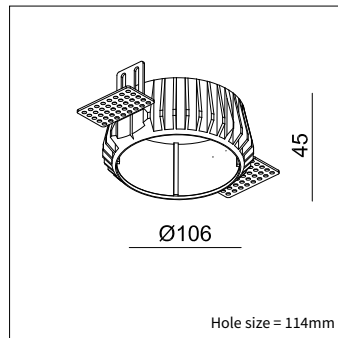
PRODUCT MATERIAL	Die-cast Aluminium
LIGHT SOURCE	Bridgelux V8
MODULE LIFETIME	Approx. 35.000 hours
DRIVER	Including driver
COLORS	<ul style="list-style-type: none"> ● 35 = RAL 9003 white + RAL 9005 black ● 5 = RAL 9005 black ● 7 = RAL 9037 grey
BEAM ANGLE	
ADJUSTABLE	Yes - 0-20° - 360°
SIZE	90 X 120MM



OPTIONS

OPTIONAL BEAM ANGLE	 art. no.: 4912.999.38.9	€ 5,00
REFLECTOR RING	White reflector ring art. no.: 4912.922.99.3	€ 9,50
	Black reflector ring art. no.: 4912.922.99.5	€ 9,50
	Gold reflector ring art. no.: 4912.922.99.9	€ 9,50
GLASS	Transparent art. no.: 4912.933.99.0	€ 7,50
	Honey comb art. no.: 4912.933.94.0	€ 7,50
	Frosted art. no.: 4912.933.90.0	€ 7,50
	Striped art. no.: 4912.933.96.0	€ 7,50
DIMMABLE DRIVERS 350mA <i>IN COMBINATION WITH THIS LUMINAIRE. ADDITIONAL PRICE</i>	1/10v Dimmable 350 mA 10W art. no.: 0110.350.10.1	€ 29,50
	Phase-cut Dimmable 350 mA 10W art. no.: 0110.350.10.1	€ 29,50
	Dimmable DALI 350 mA 18W art. no.: 0118.350.75.0	€ 55,00
DIMMABLE DRIVERS 500mA <i>IN COMBINATION WITH THIS LUMINAIRE. ADDITIONAL PRICE</i>	1/10v Dimmable 500 mA 10W art. no.: 0118.500.10.1	€ 29,50
	Phase-cut Dimmable 500 mA 10W art. no.: 0110.500.10.1	€ 29,50
	Dimmable DALI 500 mA 18W art. no.: 0118.500.75.0	€ 55,00

GHIBLI R TRIMLESS



Reflector rings



Transparent Striped Frosted Honeycomb

INFORMATION

Incl. cable and plug.


Including mounting kit (size 114 x 150mm)

Keylight International reserves the right to modify or change technical, construction or LED specifications due to continuous improvements of our products and light sources. The light source in this product can be replaced with an equivalent module made by Philips, Osram or Tridonic.

ART.NR.	LAMP TYPE	BRAND	LUMINOUS FLUX	OUTPUT POWER	MODULE EFFICIENCY	COLOUR TEMPERATURE	CRI	TC LIFETIME	mA
Δ see colors									
4916.179.26.Δ	V8 LED	Bridgelux	550LM	6,2W	91LM/W	2700K	>90	50.000 Hrs	350
4916.180.26.Δ	V8 LED	Bridgelux	745LM	9,2W	84LM/W	2700K	>90	50.000 Hrs	500




STICK

PRODUCT MATERIAL	Die-cast Aluminium
LIGHT SOURCE	Bridgelux V6
MODULE LIFETIME	Approx. 50.000 hours
DRIVER	Including Philips driver
COLORS	<ul style="list-style-type: none"> ● 35 = RAL 9003 white + RAL 9005 black ● 5 = RAL 9005 black ● 7 = RAL 9037 grey
BEAM ANGLE	 22°
ADJUSTABLE	Yes - 0-20° - 360°
SIZE	90 X 85MM



OPTIONS

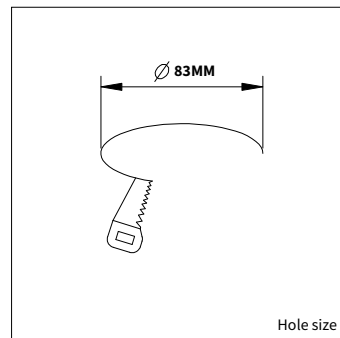
OPTIONAL BEAM ANGLE	 36° art. no.: 4912.999.38.9	€ 5,00
REFLECTOR RING	White reflector ring art. no.: 4912.922.99.3	€ 9,50
	Black reflector ring art. no.: 4912.922.99.5	€ 9,50
	Gold reflector ring art. no.: 4912.922.99.9	€ 9,50
DIMMABLE DRIVERS 350mA <i>IN COMBINATION WITH THIS LUMINAIRE. ADDITIONAL PRICE</i>	1/10v Dimmable 350 mA 10W art. no.: 0110.350.10.1	€ 29,50
	Phase-cut Dimmable 350 mA 10W art. no.: 0110.350.10.1	€ 29,50
	Dimmable DALI 350 mA 18W art. no.: 0118.350.75.0	€ 55,00
DIMMABLE DRIVERS 700mA <i>IN COMBINATION WITH THIS LUMINAIRE. ADDITIONAL PRICE</i>	Phase-cut Dimmable 700 mA 10W art. no.: 0110.700.10.1	€ 39,00
	Dimmable DALI 700 mA 18W art. no.: 0118.700.10.1	€ 55,00

INFORMATION

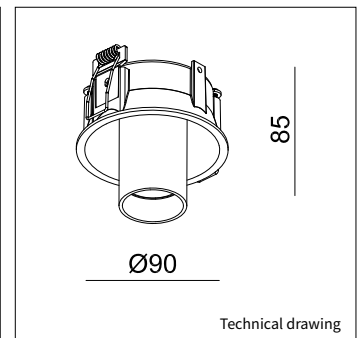
Incl. cable and plug.

Keylight International reserves the right to modify or change technical, construction or LED specifications due to continuous improvements of our products and lightsources. The light source in this product can be replaced with an equivalent module made by Philips, Osram or Tridonic.

STICK



Hole size



Technical drawing



Reflector rings



Transparent Striped Frosted Honeycomb

ART.NR.	LAMP TYPE	BRAND	LUMINOUS FLUX	OUTPUT POWER	MODULE EFFICIENCY	COLOUR TEMPERATURE	CRI	TC LIFETIME	mA
Δ see colors									
4917.179.26.Δ	V6 LED	Bridgelux	318LM	3,2W	99LM/W	2700K	>90	50.000 Hrs	350
4917.180.26.Δ	V6 LED	Bridgelux	558LM	6,8W	82LM/W	2700K	>90	50.000 Hrs	700



STICK TRIMLESS

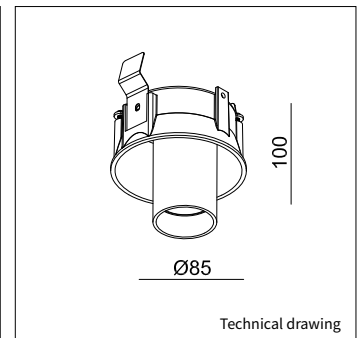
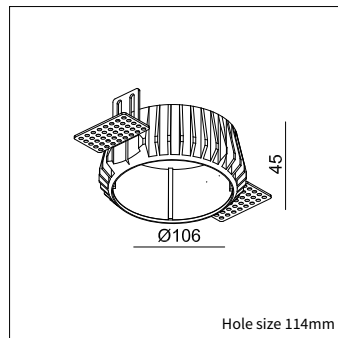
PRODUCT MATERIAL	Die-cast Aluminium
LIGHT SOURCE	Bridgelux V6
MODULE LIFETIME	Approx. 50.000 hours
DRIVER	Including Philips driver
COLORS	<ul style="list-style-type: none"> ● 35 = RAL 9003 white + RAL 9005 black ● 5 = RAL 9005 black ● 7 = RAL 9037 grey
BEAM ANGLE	
ADJUSTABLE	Yes - 0-20° - 360°
SIZE	90 X 85MM



OPTIONS

OPTIONAL BEAM ANGLE	art. no.: 4912.999.38.9	€ 5,00
REFLECTOR RING	White reflector ring art. no.: 4912.922.99.3	€ 9,50
	Black reflector ring art. no.: 4912.922.99.5	€ 9,50
	Gold reflector ring art. no.: 4912.922.99.9	€ 9,50
DIMMABLE DRIVERS 350mA <i>IN COMBINATION WITH THIS LUMINAIRE. ADDITIONAL PRICE</i>	1/10v Dimmable 350 mA 10W art. no.: 0110.350.10.1	€ 29,50
	Phase-cut Dimmable 350 mA 10W art. no.: 0110.350.10.1	€ 29,50
	Dimmable DALI 350 mA 18W art. no.: 0118.350.75.0	€ 55,00
DIMMABLE DRIVERS 700mA <i>IN COMBINATION WITH THIS LUMINAIRE. ADDITIONAL PRICE</i>	Phase-cut Dimmable 700 mA 10W art. no.: 0110.700.10.1	€ 39,00
	Dimmable DALI 700 mA 18W art. no.: 0118.700.10.1	€ 55,00

STICK TRIMLESS



INFORMATION

Incl. cable and plug.

Including mounting kit (106 x 45mm)

Keylight International reserves the right to modify or change technical, construction or LED specifications due to continuous improvements of our products and light sources. The light source in this product can be replaced with an equivalent module made by Philips, Osram or Tridonic.



Reflector rings



Transparent Striped Frosted Honeycomb

* This luminaire is only available on special request. For more information, contact our sales department.

ART.NR.	LAMP TYPE	BRAND	LUMINOUS FLUX	OUTPUT POWER	MODULE EFFICIENCY	COLOUR TEMPERATURE	CRI	TC LIFETIME	mA
4918.179.26.Δ	V6 LED	Bridgelux	318LM	3,2W	99LM/W	2700K	>90	50.000 Hrs	350
4918.180.26.Δ	V6 LED	Bridgelux	558LM	6,8W	82LM/W	2700K	>90	50.000 Hrs	700

Δ see colors



PRODUCT MATERIAL	Die-cast Aluminium
LIGHT SOURCE	Osram Oslon
MODULE LIFETIME	Approx. 50.000 hours
DRIVER	Including Driver
COLORS	○ 3 = White ● 5 = Black
BEAM ANGLE	▲ 15°
ADJUSTABLE	Yes - 0-60° - 360°
SIZE	50 X 49MM



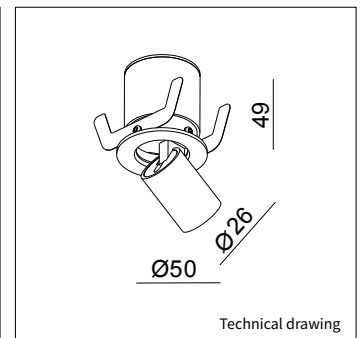
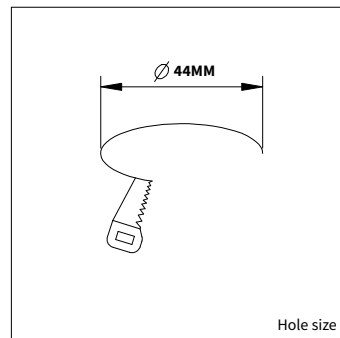
OPTIONS

OPTIONAL BEAM ANGLE	▲ 36° art. no.: 4925.999.38.9	€ 5,00
REFLECTOR RING	White reflector ring art. no.: 4925.922.15.3	€ 9,50
	Gold reflector ring art. no.: 4925.922.15.9	€ 9,50
GLASS	Honey comb art. no.: 4912.933.94.0	€ 7,50
	Striped art. no.: 4912.933.96.0	€ 7,50
DIMMABLE DRIVERS 700mA <i>IN COMBINATION WITH THIS LUMINAIRE. ADDITIONAL PRICE</i>	Phase-cut Dimmable 700 mA 10W art. no.: 0110.700.10.1	€ 39,00
	Dimmable DALI 700 mA 18W art. no.: 0118.700.10.1	€ 55,00

INFORMATION

Incl. cable and plug.
Including standard black reflector ring

Keylight International reserves the right to modify or change technical, construction or LED specifications due to continuous improvements of our products and lightsources.



Reflector rings



Striped Honeycomb

ART.NR.	LAMP TYPE	BRAND	LUMINOUS FLUX	OUTPUT POWER	MODULE EFFICIENCY	COLOUR TEMPERATURE	CRI	TC LIFETIME	mA
4925.700.21.Δ	Oslon	Osram	174LM	2,1W	174LM/W	2700K	>90	50.000 Hrs	700mA

Δ see colors



PRODUCT MATERIAL	Die-cast Aluminium
LIGHT SOURCE	Zenigata
MODULE LIFETIME	Approx. 50.000 hours
DRIVER	Including Driver
COLORS	○ 3 = White ● 5 = Black
BEAM ANGLE	23°
ADJUSTABLE	Yes - 0-60° - 360°
SIZE	70 X 103MM

OPTIONS

OPTIONAL BEAM ANGLE	36° art. no.: 4926.999.38.9	€ 5,00
REFLECTOR RING	White reflector ring art. no.: 4912.922.99.3	€ 9,50
	Gold reflector ring art. no.: 4912.922.99.9	€ 9,50
GLASS	Transparent art. no.: 4912.933.99.0	€ 7,50
	Honey comb art. no.: 4912.933.94.0	€ 7,50
	Frosted art. no.: 4912.933.90.0	€ 7,50
	Striped art. no.: 4912.933.96.0	€ 7,50
DIMMABLE DRIVERS 350mA <i>IN COMBINATION WITH THIS LUMINAIRE. ADDITIONAL PRICE.</i>	1/10v Dimmable 350mA 20W art. no.: 0137.110.20.0	€ 63,00
	Phase-cut Dimmable 350mA 18W art. no.: 0115.350.18.1	€ 29,00
	Dimmable DALI 350mA 18W art. no.: 0118.350.75.0	€ 55,00

INFORMATION

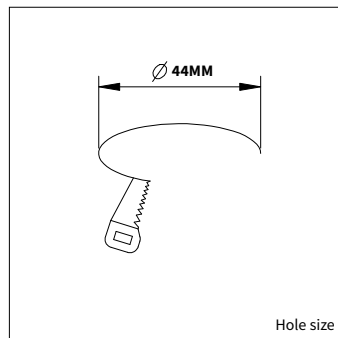
Incl. cable and plug.

Including standard black reflector ring

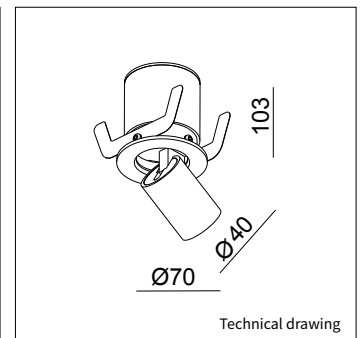
Keylight International reserves the right to modify or change technical, construction or LED specifications due to continuous improvements of our products and lightsources.



AIR MAX



Hole size



Technical drawing



Reflector rings



Transparent Striped Frosted Honeycomb

ART.NR.	LAMP TYPE	BRAND	LUMINOUS FLUX	OUTPUT POWER	MODULE EFFICIENCY	COLOUR TEMPERATURE	CRI	TC LIFETIME	mA
4926.179.23.Δ	ZENIGATA	Sharp	890LM	12W	81LM/W	3000K	>90	50.000 Hrs	350

Δ see colors



STICK XL

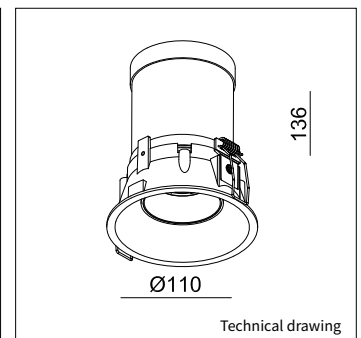
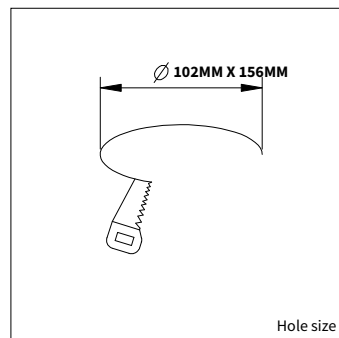
PRODUCT MATERIAL	Die-cast Aluminium
LIGHT SOURCE	Bridgelux V8
MODULE LIFETIME	Approx. 35.000 hours
DRIVER	Including driver
COLORS	<ul style="list-style-type: none"> ● 35 = RAL 9003 white + RAL 9005 black ● 5 = RAL 9005 black ● 7 = RAL 9037 grey
BEAM ANGLE	32°
ADJUSTABLE	Yes - 0-45° - 350°
SIZE	110 X 136MM



OPTIONS

OPTIONAL BEAM ANGLE	48° art. no.: 4920.999.48.9	€ 5,00
REFLECTOR RING	gold reflector ring art. no.: 4920.922.99.9	€ 9,50
GLASS	Honey comb art. no.: 4920.933.94.0	€ 7,50
	Striped art. no.: 4920.933.96.0	€ 7,50
DIMMABLE DRIVERS 350mA <i>IN COMBINATION WITH THIS LUMINAIRE. ADDITIONAL PRICE</i>	1/10v Dimmable 350 mA 10W art. no.: 0110.350.10.1	€ 29,50
	Phase-cut Dimmable 350 mA 10W art. no.: 0110.350.10.1	€ 29,50
	Dimmable DALI 350 mA 18W art. no.: 0118.350.75.0	€ 55,00
DIMMABLE DRIVERS 500mA <i>IN COMBINATION WITH THIS LUMINAIRE. ADDITIONAL PRICE</i>	1/10v Dimmable 500 mA 10W art. no.: 0118.500.10.1	€ 29,50
	Phase-cut Dimmable 500 mA 10W art. no.: 0110.500.10.1	€ 29,50
	Dimmable DALI 500 mA 18W art. no.: 0118.500.75.0	€ 55,00

STICK XL



Reflector rings



Striped Honeycomb

INFORMATION

Incl. cable and plug.


Standard black reflector ring

Keylight International reserves the right to modify or change technical, construction or LED specifications due to continuous improvements of our products and lightsources. The light source in this product can be replaced with an equivalent module made by Philips, Osram or Tridonic.

ART.NR.	LAMP TYPE	BRAND	LUMINOUS FLUX	OUTPUT POWER	MODULE EFFICIENCY	COLOUR TEMPERATURE	CRI	TC LIFETIME	mA
Δ see colors									
4920.179.26.Δ	V8 LED	Bridgelux	550LM	6,2W	88LM/W	2700K	>90	50.000 Hrs	350
4920.180.26.Δ	V8 LED	Bridgelux	745LM	9,2W	81LM/W	2700K	>90	50.000 Hrs	500





PRODUCT MATERIAL	Die-cast aluminium
LIGHT SOURCE	Bridgelux V8
MODULE LIFETIME	Approx. 35.000 hours
LED COOLING	Passive cooling
COLORS	See ring options
BEAM ANGLE	 33°
ADJUSTABLE	No
SIZE	83 X 74MM

OPTIONS

DIMMABLE DRIVERS 350mA <small>IN COMBINATION WITH THIS LUMINAIRE. ADDITIONAL PRICE.</small>	1/10v Dimmable 350mA 10W art. no.: 0110.350.10.1	€ 29,50
	Phase-cut Dimmable 350mA 10W art. no.: 0110.350.10.1	€ 29,50
	Dimmable DALI 350mA 18W art. no.: 0118.350.75.0	€ 55,00
DIMMABLE DRIVERS 500mA <small>IN COMBINATION WITH THIS LUMINAIRE. ADDITIONAL PRICE.</small>	1/10v Dimmable 500mA 10W art. no.: 0110.500.10.1	€ 29,50
	Phase-cut Dimmable 500mA 10W art. no.: 0110.500.10.1	€ 29,50
	Dimmable DALI 500mA 18W art. no.: 0118.500.75.0	€ 55,00

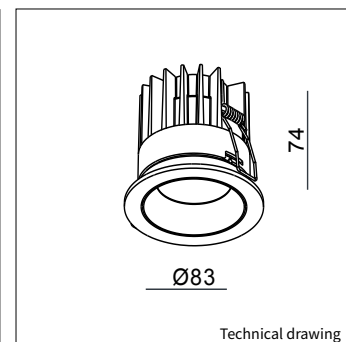
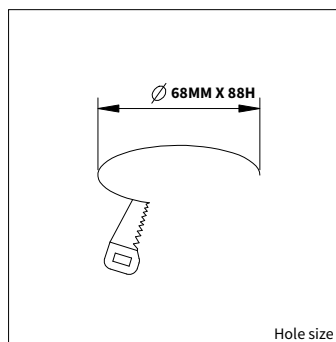
INFORMATION

Incl. driver, cable and plug.

Keylight International reserves the right to modify or change technical, construction or LED specifications due to continuous improvements of our products and lightsources.



ALPHA WHITE



ART.NR.	COLOR	LAMP TYPE	BRAND	LUMINOUS FLUX	OUTPUT POWER	MODULE EFFICIENCY	COLOUR TEMPERATURE	CRI	TC LIFETIME	mA
5107.994.35.3	○ White	V8	Bridgelux	550LM	6,2W	88LM/W	2700K	>90	35.000 Hrs	350
5107.994.35.35	○● White / black	V8	Bridgelux	550LM	6,2W	88LM/W	2700K	>90	35.000 Hrs	350
5107.994.35.5	● Black	V8	Bridgelux	550LM	6,2W	88LM/W	2700K	>90	35.000 Hrs	350
5107.994.35.59	●● Black / gold	V8	Bridgelux	550LM	6,2W	88LM/W	2700K	>90	35.000 Hrs	350
5109.994.50.3	○ White	V8	Bridgelux	745LM	9,2W	80LM/W	2700K	>90	35.000 Hrs	500
5109.994.50.35	○● White / black	V8	Bridgelux	745LM	9,2W	80LM/W	2700K	>90	35.000 Hrs	500
5109.994.50.5	● Black	V8	Bridgelux	745LM	9,2W	80LM/W	2700K	>90	35.000 Hrs	500
5109.994.50.59	●● Black / gold	V8	Bridgelux	745LM	9,2W	80LM/W	2700K	>90	35.000 Hrs	500



PRODUCT MATERIAL	Die-cast aluminium
LIGHT SOURCE	Bridgelux V8
MODULE LIFETIME	Approx. 35.000 hours
LED COOLING	Passive cooling
COLORS	See ring options
BEAM ANGLE	33°
ADJUSTABLE	No
SIZE	83 X 74MM

OPTIONS

DIMMABLE DRIVERS 350mA <small>IN COMBINATION WITH THIS LUMINAIRE. ADDITIONAL PRICE.</small>	1/10v Dimmable 350mA 10W art. no.: 0110.350.10.1	€ 29,50
	Phase-cut Dimmable 350mA 10W art. no.: 0110.350.10.1	€ 29,50
	Dimmable DALI 350mA 18W art. no.: 0118.350.75.0	€ 55,00
DIMMABLE DRIVERS 500mA <small>IN COMBINATION WITH THIS LUMINAIRE. ADDITIONAL PRICE.</small>	1/10v Dimmable 500mA 10W art. no.: 0110.500.10.1	€ 29,50
	Phase-cut Dimmable 500mA 10W art. no.: 0110.500.10.1	€ 29,50
	Dimmable DALI 500mA 18W art. no.: 0118.500.75.0	€ 55,00

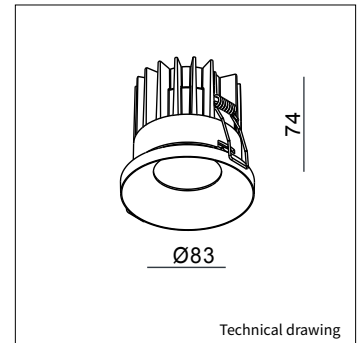
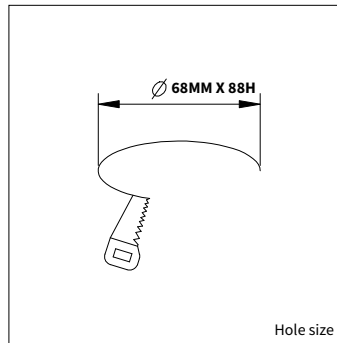
INFORMATION

Incl. driver, cable and plug.

Keylight International reserves the right to modify or change technical, construction or LED specifications due to continuous improvements of our products and lightsources.



ALPHA WHITE



ART.NR.	COLOR	LAMP TYPE	BRAND	LUMINOUS FLUX	OUTPUT POWER	MODULE EFFICIENCY	COLOUR TEMPERATURE	CRI	TC LIFETIME	mA
5107.997.35.3	○ White	V8	Bridgelux	550LM	6,2W	88LM/W	2700K	>90	35.000 Hrs	350
5107.997.35.5	● Black	V8	Bridgelux	550LM	6,2W	88LM/W	2700K	>90	35.000 Hrs	350
5109.997.50.3	○ White	V8	Bridgelux	745LM	9,2W	80LM/W	2700K	>90	35.000 Hrs	500
5109.997.50.5	● Black	V8	Bridgelux	745LM	9,2W	80LM/W	2700K	>90	35.000 Hrs	500



PRODUCT MATERIAL	Die-cast aluminium
LIGHT SOURCE	Bridgelux V10
MODULE LIFETIME	Approx. 50.000 hours
LED COOLING	Passive cooling
DRIVER	Philips driver
BEAM ANGLE	37°
ADJUSTABLE	0 - 30° / 350°
SIZE	106 X 107MM

OPTIONS

DIMMABLE DRIVERS 350mA <i>IN COMBINATION WITH THIS LUMINAIRE. ADDITIONAL PRICE.</i>	1/10v Dimmable 350mA 10W art. no.: 0110.350.10.1	€ 29,50
	Phase-cut Dimmable 350mA 10W art. no.: 0110.350.10.1	€ 29,50
	Dimmable DALI 350mA 18W art. no.: 0118.350.75.0	€ 55,00
DIMMABLE DRIVERS 500mA <i>IN COMBINATION WITH THIS LUMINAIRE. ADDITIONAL PRICE.</i>	1/10v Dimmable 500mA 20W art. no.: 0137.110.50.0	€ 63,00
	Phase-cut Dimmable 500mA 18W art. no.: 0115.500.18.1	€ 29,50
	Dimmable DALI 500mA 18W art. no.: 0118.500.75.0	€ 55,00
DIMMABLE DRIVERS 700mA <i>IN COMBINATION WITH THIS LUMINAIRE. ADDITIONAL PRICE.</i>	1/10v Dimmable 700mA 40W art. no.: 0137.700.40.0	€ 80,00
	Phase-cut Dimmable 700mA 20W art. no.: 0117.700.20.0	€ 45,00
	Dimmable DALI 700mA 25W art. no.: 0119.700.54.0	€ 75,00

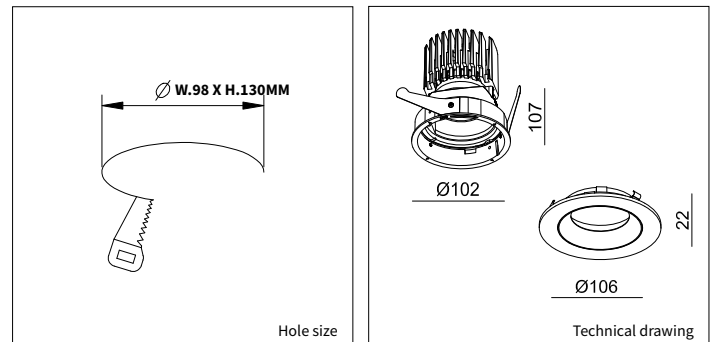
INFORMATION

Incl. driver, cable and plug.

Keylight International reserves the right to modify or change technical, construction or LED specifications due to continuous improvements of our products and lightsources.



SPECTRA WHITE / BLACK



ART.NR.	COLOR	LAMP TYPE	BRAND	LUMINOUS FLUX	OUTPUT POWER	MODULE EFFICIENCY	COLOUR TEMPERATURE	CRI	TC LIFETIME	mA
5106.994.35.3	○ White	V10	Bridgelux	841LM	9,3W	90LM/W	2700K	>90	35.000 Hrs	350
5106.994.35.35	○● White / black	V10	Bridgelux	841LM	9,3W	90LM/W	2700K	>90	35.000 Hrs	350
5106.994.35.5	● Black	V10	Bridgelux	841LM	9,3W	90LM/W	2700K	>90	35.000 Hrs	350
5106.994.35.59	●● Black / gold	V10	Bridgelux	841LM	9,3W	90LM/W	2700K	>90	35.000 Hrs	350
5106.994.50.3	○ White	V10	Bridgelux	1153LM	13,8W	83LM/W	2700K	>90	35.000 Hrs	500
5106.994.50.35	○● White / black	V10	Bridgelux	1153LM	13,8W	83LM/W	2700K	>90	35.000 Hrs	500
5106.994.50.5	● Black	V10	Bridgelux	1153LM	13,8W	83LM/W	2700K	>90	35.000 Hrs	500
5106.994.50.59	●● Black / gold	V10	Bridgelux	1153LM	13,8W	83LM/W	2700K	>90	35.000 Hrs	500
5106.994.70.3	○ White	V10	Bridgelux	1517LM	20,3W	77LM/W	2700K	>90	35.000 Hrs	700
5106.994.70.35	○● White / black	V10	Bridgelux	1517LM	20,3W	77LM/W	2700K	>90	35.000 Hrs	700
5106.994.70.5	● Black	V10	Bridgelux	1517LM	20,3W	77LM/W	2700K	>90	35.000 Hrs	700
5106.994.70.59	●● Black / gold	V10	Bridgelux	1517LM	20,3W	77LM/W	2700K	>90	35.000 Hrs	700



BASE

PRODUCT MATERIAL	Die-cast Aluminium
LIGHT SOURCE	COB LED
MODULE LIFETIME	Approx. 20.000 Hours
LED COOLING	Passive cooling
DRIVER	Fixed or DIM driver
COLORS	○ 3 = RAL 9003 white ● 5 = RAL 9005 black
BEAM ANGLE	▲ 24°
ADJUSTABLE	Fixed and adjustable
SIZE	85 X 87MM



INFORMATION

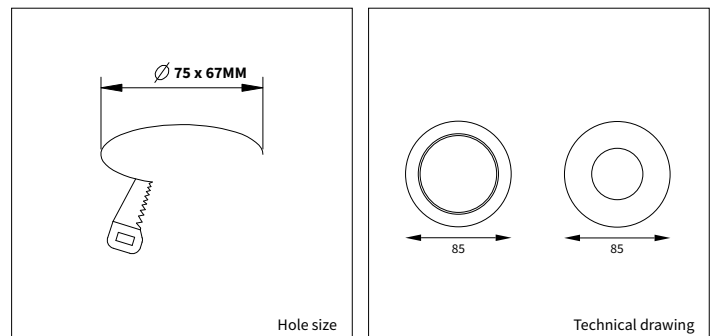
WARRANTY	2 Years.
-----------------	----------

This luminaire is "plug & play".

Incl. 1.5m cable and plug.

Keylight International reserves the right to modify or change technical, construction or LED specifications due to continuous improvements of our products and lightsources.

BASE



Ring 1 (adjustable)	Ring 2 (deep fixed)
4107.081.00.3	4107.082.00.3

ART.NR.	LAMP TYPE	BRAND	LUMINOUS FLUX	OUTPUT POWER	MODULE EFFICIENCY	COLOUR TEMPERATURE	CRI	TC LIFETIME	mA	DIM
4107.081.24. Δ	COB	KL	450LM	7W	65LM/W	2700K	>80	20.000 Hrs		No
4108.081.24. Δ	COB	KL	450LM	7W	65LM/W	2700K	>80	20.000 Hrs		Yes
4107.082.24. Δ	COB	KL	450LM	7W	65LM/W	2700K	>80	20.000 Hrs		No
4108.082.24. Δ	COB	KL	450LM	7W	65LM/W	2700K	>80	20.000 Hrs		Yes

CAP R1



PRODUCT MATERIAL	Die-cast Aluminium
LIGHT SOURCE	Bridgelux
MODULE LIFETIME	Approx. 50.000 hours
LED COOLING	Passive cooling
DRIVER	Incl. driver + cable and plug
COLORS	<input type="radio"/> 3 = RAL 9003 white <input checked="" type="radio"/> 5 = RAL 9005 black
BEAM ANGLE	28°
ADJUSTABLE	Yes
SIZE	105 X 77MM



OPTIONS LMR

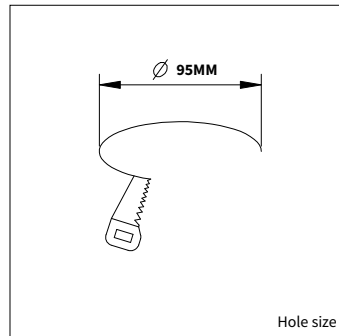
GLASS COVER CLEAR	Glass IP44 art. no.: 0053.999.99.0	€ 7,50
GLASS FILTER	Filter 2400K glass art. no.: 4006.999.27.0	€ 30,00
DIMMABLE DRIVERS 350mA <i>IN COMBINATION WITH THIS LUMINAIRE. ADDITIONAL PRICE.</i>	1/10v Dimmable 350mA 10W art. no.: 0110.350.10.1	€ 29,50
	Phase-cut Dimmable 350mA 10W art. no.: 0110.350.10.1	€ 29,50
	Dimmable DALI 350mA 18W art. no.: 0118.350.15.1	€ 55,00

CAP R1

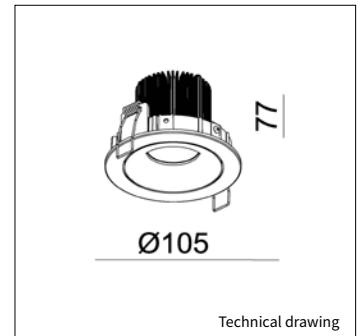
INFORMATION

WARRANTY	3 years
-----------------	---------

Δ = See color code.
 This luminaire is "plug & play". Cable and plug included.
 Keylight International reserves the right to modify or change technical, construction or LED specifications due to continuous improvements of our products and lightsources.



Hole size



Technical drawing

ART.NR.	LAMP TYPE	BRAND	LUMINOUS FLUX	OUTPUT POWER	MODULE EFFICIENCY	COLOUR TEMPERATURE	CRI	TC LIFETIME	mA
4005.990.28.Δ	BXRA	Bridgelux	600LM	6,6W	86LM/W	2700K	>80	50.000 Hrs	350 mA

Δ see colors



CAP R2

PRODUCT MATERIAL	Die-cast Aluminium
LIGHT SOURCE	Bridgelux
MODULE LIFETIME	Approx. 50.000 hours
LED COOLING	Passive cooling
DRIVER	Incl. driver + cable and plug
COLORS	<input type="radio"/> 3 = RAL 9003 white <input checked="" type="radio"/> 5 = RAL 9005 black
BEAM ANGLE	28°
ADJUSTABLE	Yes
SIZE	208 X 105 X 70MM



OPTIONS LMR

GLASS COVER CLEAR	2x Glass IP44 art. no.: 0053.999.99.0	€ 15,00
GLASS FILTER	2x Filter 2400K glass art. no.: 4006.999.27.0	€ 60,00
DIMMABLE DRIVERS 350mA <i>IN COMBINATION WITH THIS LUMINAIRE. ADDITIONAL PRICE.</i>	1/10v Dimmable 350mA 20W art. no.: 0137.110.20.0	€ 63,00
	Phase-cut Dimmable 350mA 18W art. no.: 0115.350.18.1	€ 29,00
	Dimmable DALI 350mA 18W art. no.: 0118.350.15.1	€ 55,00

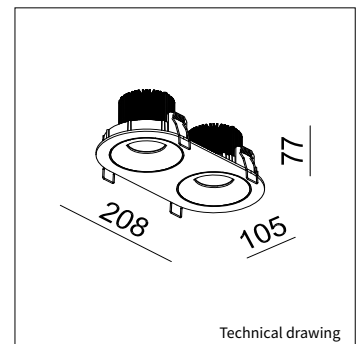
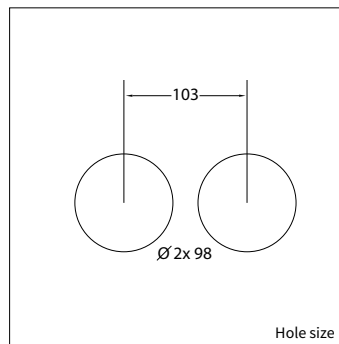
CAP R2

INFORMATION

WARRANTY	3 years
-----------------	---------

Δ = See color code.
This luminaire is "plug & play". Cable and plug included.

Keylight International reserves the right to modify or change technical, construction or LED specifications due to continuous improvements of our products and lightsources.



ART.NR.	LAMP TYPE	BRAND	LUMINOUS FLUX	OUTPUT POWER	MODULE EFFICIENCY	COLOUR TEMPERATURE	CRI	TC LIFETIME	mA
4055.990.28.Δ	BXRA	Bridgelux	2X 600LM	2X 6,6W	86LM/W	2700K	>80	50.000 Hrs	2x 350 mA
4055.991.28.Δ	BXRA	Bridgelux	2X 600LM	2X 6,6W	86LM/W	3000K	>80	50.000 Hrs	2x 350 mA

Δ see colors



BINNY

PRODUCT MATERIAL	Die-cast Aluminium
LIGHT SOURCE	CXA 1512
MODULE LIFETIME	Approx. 25.000 Hours
LED COOLING	Passive cooling
DRIVER	Philips driver Included
COLORS	○ 3 = RAL 9003 white
BEAM ANGLE	▲ 60°
REFLECTOR	White
ADJUSTABLE	Yes
SIZE	85 X 73MM



INFORMATION

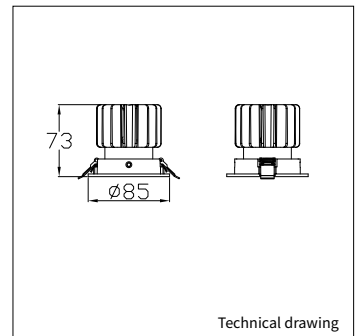
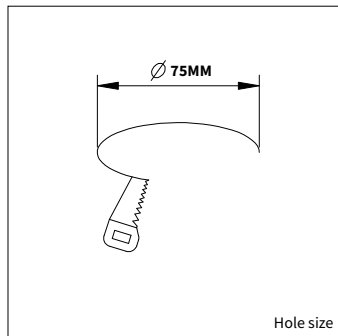
WARRANTY	2 Years.
-----------------	----------

This luminaire is "plug & play".

Incl. 1.5m cable and plug.

Keylight International reserves the right to modify or change technical, construction or LED specifications due to continuous improvements of our products and lightsources.

BINNY



ART.NR.	LAMP TYPE	BRAND	LUMINOUS FLUX	OUTPUT POWER	MODULE EFFICIENCY	COLOUR TEMPERATURE	CRI	TC LIFETIME	mA
4102.999.60.3	CXA 1512	Cree	1200LM	13W	92LM/W	3000K	>80	25.000 Hrs	350



BINNY D

PRODUCT MATERIAL	Die-cast Aluminium
LIGHT SOURCE	CXA 1512
MODULE LIFETIME	Approx. 25.000 Hrs.
LED COOLING	Passive cooling
DRIVER	Philips driver Included.
COLORS	○ 3 = RAL 9003 white
BEAM ANGLE	▲ 60°
REFLECTOR	White
ADJUSTABLE	No
SIZE	88 X 97MM



INFORMATION

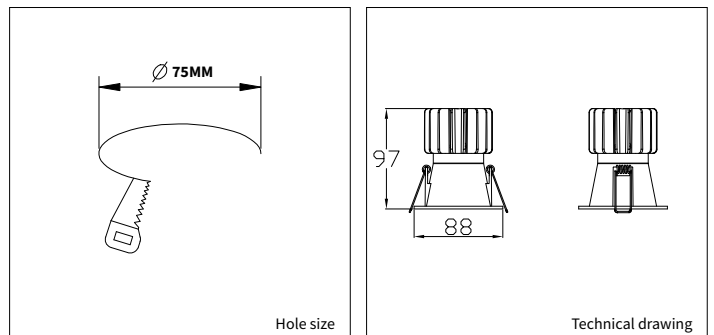
WARRANTY	2 Years.
-----------------	----------

This luminaire is "plug & play".

Incl. 1.5m cable and plug.

Keylight International reserves the right to modify or change technical, construction or LED specifications due to continuous improvements of our products and lightsources.

BINNY D



ART.NR.	LAMP TYPE	BRAND	LUMINOUS FLUX	OUTPUT POWER	MODULE EFFICIENCY	COLOUR TEMPERATURE	CRI	TC LIFETIME	mA
4103.999.60.3	CXA 1512	Cree	1200LM	13W	92LM/W	3000K	>80	25.000 Hrs	350



DEEP 10

PRODUCT MATERIAL	Die-cast Aluminium
LIGHT SOURCE	MR16 / GU10 / LMR50
DRIVER	LMR50 includes a driver
COLORS	<ul style="list-style-type: none"> ○ 3 = RAL 9003 white ● 5 = RAL 9005 black ● 6 = RAL 9006 alu
BEAM ANGLE	
ADJUSTABLE	Yes
SIZE	98 X 65MM OR INCL LMR50 98 X 90MM



OPTIONS LMR

GLASS COVER CLEAR	Glass IP44 art. no.: 0053.999.99.0	€ 7,50
GLASS FILTER	Filter 2400K glass art. no.: 4006.999.27.0	€ 30,00
DIMMABLE DRIVERS 350mA	1/10v Dimmable 350mA 10W art. no.: 0110.350.10.1	€ 29,50
<i>IN COMBINATION WITH THIS LUMINAIRE, ADDITIONAL PRICE.</i>	Phase-cut Dimmable 350mA 10W art. no.: 0110.350.10.1	€ 29,50
	Dimmable DALI 350mA 18W art. no.: 0118.350.15.1	€ 55,00

DEEP 10

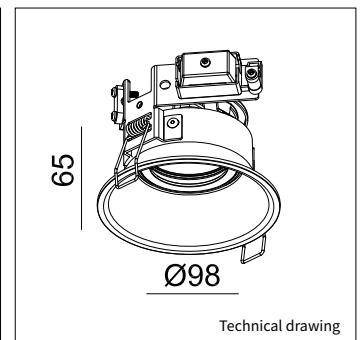
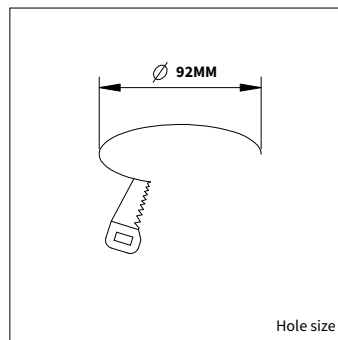
INFORMATION

! Only luminaire body, lightsource and/or driver excluded.

LMR includes a driver, cable and plug.

LMR **Dim to Warm** includes a dimmable driver, cable and plug.

Keylight International reserves the right to modify or change technical, construction or LED specifications due to continuous improvements of our products and lightsources.



ART.NR.	LAMP TYPE	BRAND	LUMINOUS FLUX	OUTPUT POWER	MODULE EFFICIENCY	COLOUR TEMPERATURE	CRI	TC LIFETIME	BEAM ANGLE	mA
Δ see colors										
! 4010.001.98.Δ	MR16	~	~	Max. 50W	~	~	~	~	~	~
! 4010.002.98.Δ	Gu10	~	~	Max. 50W	~	~	~	~	~	~
4010.171.20.Δ	LMR50	Bridgelux V6	575LM	6,8W	85LM/W	2700K	>90	30.000 Hrs	20°	350
4010.172.30.Δ	LMR50	Bridgelux V6	575LM	6,8W	85LM/W	2700K	>90	30.000 Hrs	30°	350
4010.173.20.Δ	LMR50	Bridgelux V6	600LM	6,8W	88LM/W	3000K	>90	30.000 Hrs	20°	350
4010.174.30.Δ	LMR50	Bridgelux V6	600LM	6,8W	88LM/W	3000K	>90	30.000 Hrs	30°	350
4010.175.20.Δ	LMR50	Sharp GW6	563LM	6,6W	85LM/W	2000 - 2800K DTW	>80	30.000 Hrs	20°	350
4010.176.30.Δ	LMR50	Sharp GW6	563LM	6,6W	85LM/W	2000 - 2800K DTW	>80	30.000 Hrs	30°	350



BAN 9

PRODUCT MATERIAL	Aluminium
LIGHT SOURCE	MR16/GU10 LED / LMR50
DRIVER	LMR 50 includes a driver
COLORS	<ul style="list-style-type: none"> ○ 3 = RAL 9003 white ● 5 = RAL 9005 black ● 6 = RAL 9006 alu
BEAM ANGLE	
ADJUSTABLE	Yes
SIZE	92 X 70MM OR INCL. LMR 92X 90MM



OPTIONS LMR

GLASS COVER CLEAR	Glass IP44 art. no.: 0053.999.99.0	€ 7,50
GLASS FILTER	Filter 2400K glass art. no.: 4006.999.27.0	€ 30,00
DIMMABLE DRIVERS 350mA <i>IN COMBINATION WITH THIS LUMINAIRE. ADDITIONAL PRICE.</i>	1/10v Dimmable 350mA 10W art. no.: 0110.350.10.1	€ 29,50
	Phase-cut Dimmable 350mA 10W art. no.: 0110.350.10.1	€ 29,50
	Dimmable DALI 350mA 18W art. no.: 0118.350.15.1	€ 55,00

BAN 9

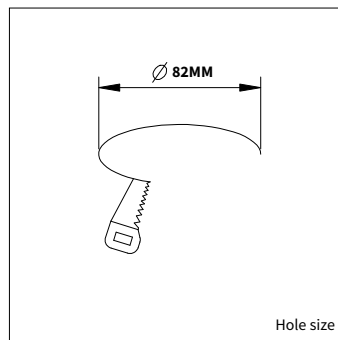
INFORMATION

! Only luminaire body, lightsource and/or driver excluded.

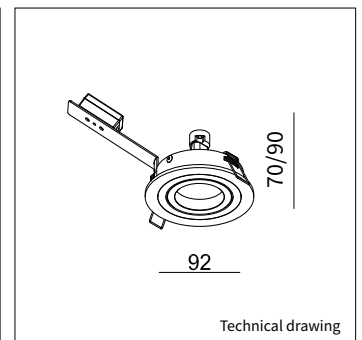
LMR includes a driver, cable and plug.

LMR **Dim to Warm** includes a dimmable driver, cable and plug.

Keylight International reserves the right to modify or change technical, construction or LED specifications due to continuous improvements of our products and lightsources.



Hole size



Technical drawing

ART.NR.	LAMP TYPE	BRAND	LUMINOUS FLUX	OUTPUT POWER	MODULE EFFICIENCY	COLOUR TEMPERATURE	CRI	TC LIFETIME	BEAM ANGLE	mA
Δ see colors										
! 4545.001.98.Δ	MR16	~	~	Max. 50W	~	~	~	~	~	~
! 4545.002.98.Δ	Gu10	~	~	Max. 50W	~	~	~	~	~	~
4545.171.20.Δ	LMR50	Bridgelux V6	575LM	6,8W	85LM/W	2700K	>90	30.000 Hrs	20°	350
4545.172.30.Δ	LMR50	Bridgelux V6	575LM	6,8W	85LM/W	2700K	>90	30.000 Hrs	30°	350
4545.173.20.Δ	LMR50	Bridgelux V6	600LM	6,8W	88LM/W	3000K	>90	30.000 Hrs	20°	350
4545.174.30.Δ	LMR50	Bridgelux V6	600LM	6,8W	88LM/W	3000K	>90	30.000 Hrs	30°	350
4545.175.20.Δ	LMR50	Sharp GW6	563LM	6,6W	85LM/W	2000 - 2800K DTW	>80	30.000 Hrs	20°	350
4545.176.30.Δ	LMR50	Sharp GW6	563LM	6,6W	85LM/W	2000 - 2800K DTW	>80	30.000 Hrs	30°	350



CIRC 10

PRODUCT MATERIAL	Die-cast aluminium
LIGHT SOURCE	MR16/GU10 LED / LMR50
DRIVER	LMR 50 includes a driver
COLORS	<ul style="list-style-type: none"> ○ 3 = RAL 9003 white ● 5 = RAL 9005 black ● 6 = RAL 9006 alu
BEAM ANGLE	
ADJUSTABLE	Yes
SIZE	106 X 110MM OR INCL. LMR 106 X 80MM



OPTIONS LMR

GLASS COVER CLEAR	Glass IP44 art. no.: 0053.999.99.0	€ 7,50
GLASS FILTER	Filter 2400K glass art. no.: 4006.999.27.0	€ 30,00
DIMMABLE DRIVERS 350mA <small>IN COMBINATION WITH THIS LUMINAIRE. ADDITIONAL PRICE.</small>	1/10v Dimmable 350mA 10W art. no.: 0110.350.10.1	€ 29,50
	Phase-cut Dimmable 350mA 10W art. no.: 0110.350.10.1	€ 29,50
	Dimmable DALI 350mA 18W art. no.: 0118.350.15.1	€ 55,00

CIRC 10

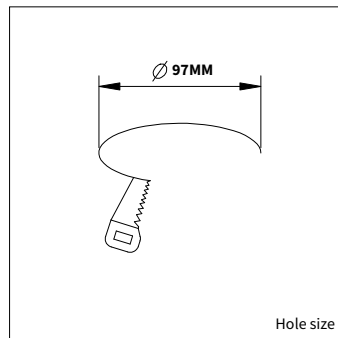
INFORMATION

! Only luminaire body, lightsource and/or driver excluded.

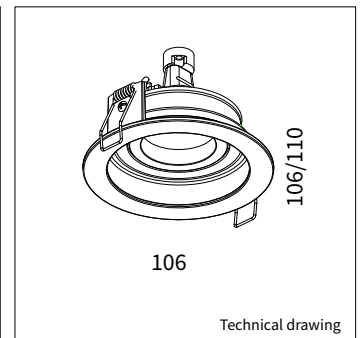
LMR includes a driver, cable and plug.

LMR **Dim to Warm** includes a dimmable driver, cable and plug.

Keylight International reserves the right to modify or change technical, construction or LED specifications due to continuous improvements of our products and lightsources.



Hole size



Technical drawing

ART.NR.	LAMP TYPE	BRAND	LUMINOUS FLUX	OUTPUT POWER	MODULE EFFICIENCY	COLOUR TEMPERATURE	CRI	TC LIFETIME	BEAM ANGLE	mA
Δ see colors										
! 4098.001.98.Δ	MR16	~	~	Max. 50W	~	~	~	~	~	~
! 4098.002.98.Δ	Gu10	~	~	Max. 50W	~	~	~	~	~	~
4098.171.20.Δ	LMR50	Bridgelux V6	575LM	6,8W	85LM/W	2700K	>90	30.000 Hrs	20°	350
4098.172.30.Δ	LMR50	Bridgelux V6	575LM	6,8W	85LM/W	2700K	>90	30.000 Hrs	30°	350
4098.173.20.Δ	LMR50	Bridgelux V6	600LM	6,8W	88LM/W	3000K	>90	30.000 Hrs	20°	350
4098.174.30.Δ	LMR50	Bridgelux V6	600LM	6,8W	88LM/W	3000K	>90	30.000 Hrs	30°	350
4098.175.20.Δ	LMR50	Sharp GW6	563LM	6,6W	85LM/W	2000 - 2800K DTW	>80	30.000 Hrs	20°	350
4098.176.30.Δ	LMR50	Sharp GW6	563LM	6,6W	85LM/W	2000 - 2800K DTW	>80	30.000 Hrs	30°	350



CIRC 13

PRODUCT MATERIAL	Die-cast aluminium
LIGHT SOURCE	Ba15D / QR70 / LMR50
DRIVER	LMR 50 includes a driver
COLORS	<ul style="list-style-type: none"> ○ 3 = RAL 9003 white ● 5 = RAL 9005 black ● 6 = RAL 9006 alu
BEAM ANGLE	
ADJUSTABLE	Yes
SIZE	130 X 60MM OR INCL. LMR 130 X 110MM

OPTIONS LMR

GLASS COVER CLEAR	Glass IP44 art. no.: 0053.999.99.0	€ 7,50
GLASS FILTER	Filter 2400K glass art. no.: 4006.999.27.0	€ 30,00
DIMMABLE DRIVERS 350mA <small>IN COMBINATION WITH THIS LUMINAIRE. ADDITIONAL PRICE.</small>	1/10v Dimmable 350mA 10W art. no.: 0110.350.10.1	€ 29,50
	Phase-cut Dimmable 350mA 10W art. no.: 0110.350.10.1	€ 29,50
	Dimmable DALI 350mA 18W art. no.: 0118.350.15.1	€ 55,00

CIRC 13

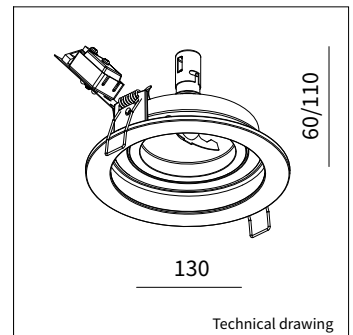
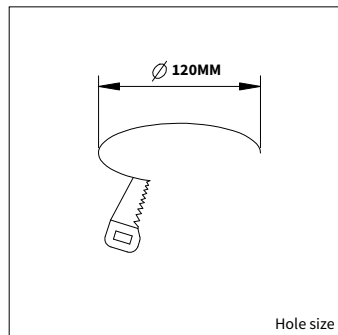
INFORMATION

! Only luminaire body, lightsource and/or driver excluded.

LMR includes a driver, cable and plug.

LMR **Dim to Warm** includes a dimmable driver, cable and plug.

Keylight International reserves the right to modify or change technical, construction or LED specifications due to continuous improvements of our products and lightsources.



ART.NR.	LAMP TYPE	BRAND	LUMINOUS FLUX	OUTPUT POWER	MODULE EFFICIENCY	COLOUR TEMPERATURE	CRI	TC LIFETIME	BEAM ANGLE	mA
Δ see colors										
! 4099.001.98.Δ	Ba15D / QR70	~	~	Max. 50W	~	~	~	~	~	~
4099.171.20.Δ	LMR50	Bridgelux V6	575LM	6,8W	85LM/W	2700K	>90	30.000 Hrs	20°	350
4099.172.30.Δ	LMR50	Bridgelux V6	575LM	6,8W	85LM/W	2700K	>90	30.000 Hrs	30°	350
4099.173.20.Δ	LMR50	Bridgelux V6	600LM	6,8W	88LM/W	3000K	>90	30.000 Hrs	20°	350
4099.174.30.Δ	LMR50	Bridgelux V6	600LM	6,8W	88LM/W	3000K	>90	30.000 Hrs	30°	350
4099.175.20.Δ	LMR50	Sharp GW6	563LM	6,6W	85LM/W	2000 - 2800K DTW	>80	30.000 Hrs	20°	350
4099.176.30.Δ	LMR50	Sharp GW6	563LM	6,6W	85LM/W	2000 - 2800K DTW	>80	30.000 Hrs	30°	350



ALASKA

PRODUCT MATERIAL	Die-cast Aluminium
LIGHT SOURCE	LED Disk
MODULE LIFETIME	Approx. 50.000 hours
LED COOLING	Passive cooling
DRIVER	Incl. integrated driver
COLORS	○ 3 = RAL 9003 white
BEAM ANGLE	▲ 60°
ADJUSTABLE	No
SIZE	106 X 120MM



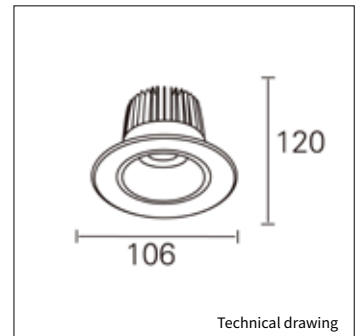
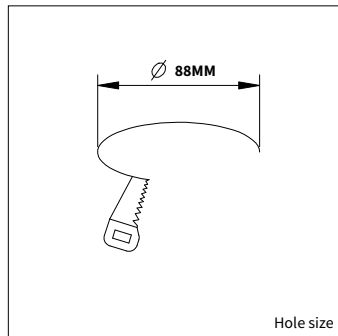
INFORMATION

WARRANTY	5 years
-----------------	---------

Including cable and plug

Keylight International reserves the right to modify or change technical, construction or LED specifications due to continuous improvements of our products and light sources. The light source in this product can be replaced with an equivalent module made by Philips, Osram or Tridonic.

ALASKA



ART.NR.	LAMP TYPE	BRAND	LUMINOUS FLUX	OUTPUT POWER	MODULE EFFICIENCY	COLOUR TEMPERATURE	CRI	TC LIFETIME	POWER FACTOR
Δ see colors									
4106.142.85.3	Disk G3	Philips	800LM	12W	68LM/W	3000K	>80	50.000 Hrs	>0,9

MOON 17



PRODUCT MATERIAL	Aluminium & ABS plastics
LIGHT SOURCE	Disk G3
MODULE LIFETIME	Approx. 50.000 hours
LED COOLING	Passive cooling
DRIVER	Incl. integrated driver.
COLORS	○ 3 = RAL 9003 white
BEAM ANGLE	▲ 55°
ADJUSTABLE	No
SIZE	171 X 119MM



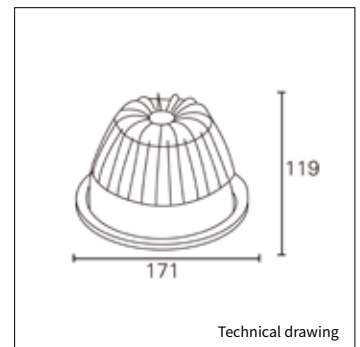
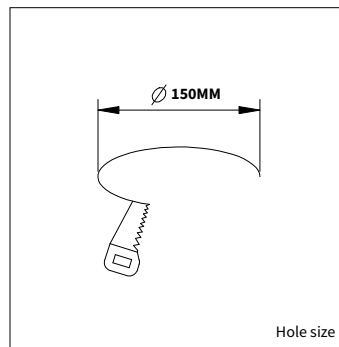
INFORMATION

WARRANTY DISK	5 Years.
----------------------	----------

Incl. 1.5m cable and plug.

Keylight International reserves the right to modify or change technical, construction or LED specifications due to continuous improvements of our products and lightsources.

MOON 17



ART.NR.	LAMP TYPE	BRAND	LUMINOUS FLUX	OUTPUT POWER	MODULE EFFICIENCY	COLOUR TEMPERATURE	CRI	TC LIFETIME	POWER FACTOR
4017.141.55.3	Disk G3	Philips	800LM	12W	68LM/W	2700K	>80	50.000 Hrs	>,09
4017.142.55.3	Disk G3	Philips	800LM	12W	68LM/W	3000K	>80	50.000 Hrs	>,09
4017.143.55.3	Disk G3	Philips	850LM	11W	72LM/W	4000K	>80	50.000 Hrs	>,09



PRODUCT MATERIAL	Die-cast aluminium
LIGHT SOURCE	SLM G6
MODULE LIFETIME	Approx. 50.000 hours
DRIVER	Incl. Xitanium driver
LED COOLING	Passive cooling
COLORS	○ 3 = RAL 9003 white ● 5 = RAL 9005 black
BEAM ANGLE	△ 24°
ADJUSTABLE	Yes
SIZE	171 X 134/95MM



OPTIONS

EMERGENCY BALLAST	0187.003.01 1 Hour	€ 180,00
OPTIONAL BEAM LENS	△ 18° 3045.018.00.0	€ 7,50
	△ 36° 3045.036.00.0	€ 7,50
DIMMABLE	Dimmable DALI	€ 60,00

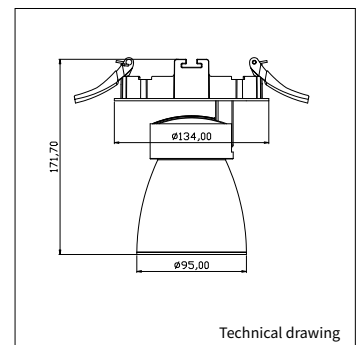
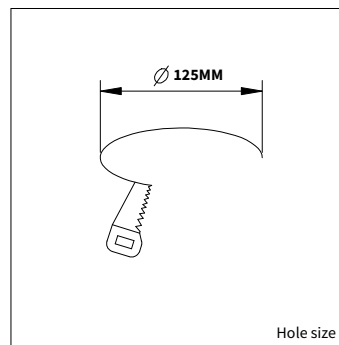
INFORMATION

WARRANTY	5 Years
-----------------	---------

Δ = product color code. See colors

Keylight International reserves the right to modify or change technical, construction or LED specifications due to continuous improvements of our products and lightsources. The light source in this product can be replaced with an equivalent module made by Philips, Osram or Tridonic.

CALYPSO S



AVAILABLE SLM OPTIONS

To order the correct product, please replace **COB*** in the article number field with the COB code found on the last page of the catalogue

ARTICLE NUMBER	LUMINOUS FLUX	BRAND	OUTPUT POWER	COLOUR TEMPERATURE	CRI	SETTING	POWER FACTOR
4029. COB* .24.Δ	1100	Philips SLM G6	7W	827 / 830 / 835 / 840 / 850	>80	High Efficiency	>0,9
4029. COB* .24.Δ	1100	Philips SLM G6	8W	927 / 930	>90	High Efficiency	>0,9
4029. COB* .24.Δ	1100	Philips SLM G6	7W	830 Premium White	>80	High Efficiency	>0,9
4029. COB* .24.Δ	1100	Philips SLM G6	8W	930 / 935 / 940 Premium White	>90	High Efficiency	>0,9
4029. COB* .24.Δ	1100	Philips SLM G6	10W	930 Crisp White (930 CW)	>90	High Efficiency	>0,9
4029. COB* .24.Δ	1100	Philips SLM G6	11W	Food Warm White (FWW)	84	High Efficiency	>0,9
4029. COB* .24.Δ	1100	Philips SLM G6	11W	Food Premium Red (FPR)	88	High Efficiency	>0,9
4029. COB* .24.Δ	2000	Philips SLM G6	13W	827 / 830 / 835 / 840 / 850	>80	High Efficiency	>0,9
4029. COB* .24.Δ	2000	Philips SLM G6	17W	927 / 930	>90	High Efficiency	>0,9
4029. COB* .24.Δ	2000	Philips SLM G6	14W	830 Premium White	>80	High Efficiency	>0,9
4029. COB* .24.Δ	2000	Philips SLM G6	16W	930 / 935 / 940 Premium White	>90	High Efficiency	>0,9
4029. COB* .24.Δ	2000	Philips SLM G6	21W	930 Crisp White (930 CW)	>90	High Efficiency	>0,9
4029. COB* .24.Δ	2000	Philips SLM G6	21W	Food Warm White (FWW)	84	High Efficiency	>0,9
4029. COB* .24.Δ	2000	Philips SLM G6	20W	Food Premium Red (FPR)	88	High Efficiency	>0,9
4029. COB* .24.Δ	3000	Philips SLM G6	26W	927 / 930	>90	High Efficiency	>0,9
4029. COB* .24.Δ	3000	Philips SLM G6	20W	830 Premium White	>80	High Efficiency	>0,9
4029. COB* .24.Δ	3000	Philips SLM G6	25W	930 / 935 / 940 Premium White	>90	High Efficiency	>0,9
4029. COB* .24.Δ	3000	Philips SLM G6	32W	930 Crisp White (930 CW)	>90	High Efficiency	>0,9
4029. COB* .24.Δ	4500	Philips SLM G6	29W	827 / 830 / 835 / 840 / 850 / 857	>80	High Efficiency	>0,9
4029. COB* .24.Δ	4500	Philips SLM G6	30W	830 Premium White	>80	High Efficiency	>0,9
4029. COB* .24.Δ	4500	Philips SLM G6	37W	930 / 935 / 940 Premium White	>90	High Efficiency	>0,9

High efficiency is the standard Keylight setting for all SLM G6 LED modules. For technical and warranty information regarding high efficiency, see last page of the catalogue. Standard system warranty is 5 years.



PRODUCT MATERIAL	Die-cast aluminium
LIGHT SOURCE	SLM G6
MODULE LIFETIME	Approx. 50.000 hours
DRIVER	Incl. Xitanium driver
LED COOLING	Passive cooling
COLORS	○ 3 = RAL 9003 white ● 5 = RAL 9005 black
BEAM ANGLE	▲ 24°
ADJUSTABLE	Yes
SIZE	263 X 146/95MM



OPTIONS

EMERGENCY BALLAST	0187.003.01 1 Hour	€ 180,00
OPTIONAL BEAM LENS	▲ 18° 3045.018.00.0	€ 7,50
	▲ 36° 3045.036.00.0	€ 7,50
DIMMABLE	Dimmable DALI	€ 60,00

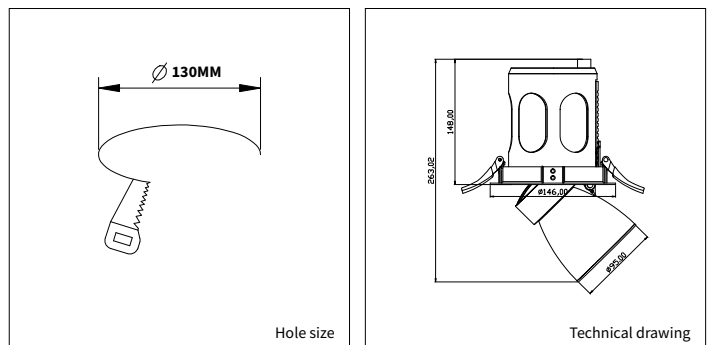
INFORMATION

WARRANTY	5 Years
-----------------	---------

Δ = product color code. See colors

Keylight International reserves the right to modify or change technical, construction or LED specifications due to continuous improvements of our products and lightsources. The light source in this product can be replaced with an equivalent module made by Philips, Osram or Tridonic.

CALYPSO O



Hole size

Technical drawing

AVAILABLE SLM OPTIONS

To order the correct product, please replace **COB*** in the article number field with the COB code found on the last page of the catalogue

ARTICLE NUMBER	LUMINOUS FLUX	BRAND	OUTPUT POWER	COLOUR TEMPERATURE	CRI	SETTING	POWER FACTOR
Δ See colors							
4028. COB* .24.Δ	1100	Philips SLM G6	7W	827 / 830 / 835 / 840 / 850	>80	High Efficiency	>0,9
4028. COB* .24.Δ	1100	Philips SLM G6	8W	927 / 930	>90	High Efficiency	>0,9
4028. COB* .24.Δ	1100	Philips SLM G6	7W	830 Premium White	>80	High Efficiency	>0,9
4028. COB* .24.Δ	1100	Philips SLM G6	8W	930 / 935 / 940 Premium White	>90	High Efficiency	>0,9
4028. COB* .24.Δ	1100	Philips SLM G6	10W	930 Crisp White (930 CW)	>90	High Efficiency	>0,9
4028. COB* .24.Δ	1100	Philips SLM G6	11W	Food Warm White (FWW)	84	High Efficiency	>0,9
4028. COB* .24.Δ	1100	Philips SLM G6	11W	Food Premium Red (FPR)	88	High Efficiency	>0,9
4028. COB* .24.Δ	2000	Philips SLM G6	13W	827 / 830 / 835 / 840 / 850	>80	High Efficiency	>0,9
4028. COB* .24.Δ	2000	Philips SLM G6	17W	927 / 930	>90	High Efficiency	>0,9
4028. COB* .24.Δ	2000	Philips SLM G6	14W	830 Premium White	>80	High Efficiency	>0,9
4028. COB* .24.Δ	2000	Philips SLM G6	16W	930 / 935 / 940 Premium White	>90	High Efficiency	>0,9
4028. COB* .24.Δ	2000	Philips SLM G6	21W	930 Crisp White (930 CW)	>90	High Efficiency	>0,9
4028. COB* .24.Δ	2000	Philips SLM G6	21W	Food Warm White (FWW)	84	High Efficiency	>0,9
4028. COB* .24.Δ	2000	Philips SLM G6	20W	Food Premium Red (FPR)	88	High Efficiency	>0,9
4028. COB* .24.Δ	3000	Philips SLM G6	19W	827 / 830 / 835 / 840 / 850 / 857	>80	High Efficiency	>0,9
4028. COB* .24.Δ	3000	Philips SLM G6	26W	927 / 930	>90	High Efficiency	>0,9
4028. COB* .24.Δ	3000	Philips SLM G6	25W	930 / 935 / 940 Premium White	>90	High Efficiency	>0,9
4028. COB* .24.Δ	3000	Philips SLM G6	32W	930 Crisp White (930 CW)	>90	High Efficiency	>0,9
4028. COB* .24.Δ	4500	Philips SLM G6	29W	827 / 830 / 835 / 840 / 850 / 857	>80	High Efficiency	>0,9
4028. COB* .24.Δ	4500	Philips SLM G6	30W	830 Premium White	>80	High Efficiency	>0,9
4028. COB* .24.Δ	4500	Philips SLM G6	37W	930 / 935 / 940 Premium White	>90	High Efficiency	>0,9

High efficiency is the standard Keylight setting for all SLM G6 LED modules. For technical and warranty information regarding high efficiency, see last page of the catalogue. Standard system warranty is 5 years.



PRODUCT MATERIAL	Aluminium
LIGHT SOURCE	SLM G6
MODULE LIFETIME	Approx. 50.000 hours
LED COOLING	Passive cooling
DRIVER	Incl. Xitanium driver.
COLORS (Δ)	○ 3 = RAL 9003 white ● 5 = RAL 9005 black
BEAM ANGLE	25°
ADJUSTABLE	Yes
SIZE	155 X 110MM



OPTIONS

REFLECTOR	18° art. no.: 3052.018.00.0 € 5,00
	36° art. no.: 3052.035.00.0 € 5,00
ANTI-GLARE RING	Anti-glare ring gold € 9,50

INFORMATION

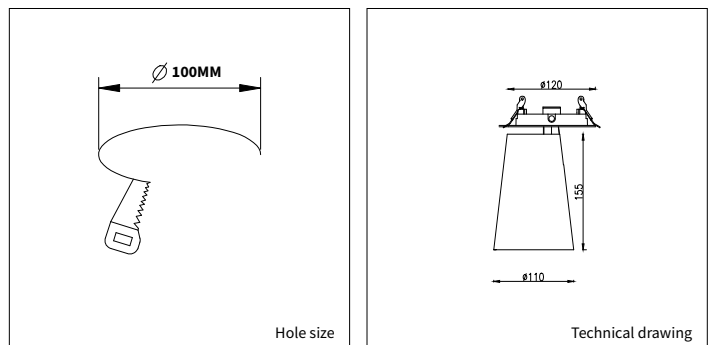
WARRANTY	5 Years
-----------------	---------

Δ = product color code. See colors

This luminaire has a **black anti-glare ring** standard included.

Keylight International reserves the right to modify or change technical, construction or LED specifications due to continuous improvements of our products and light sources. The light source in this product can be replaced with an equivalent module made by Philips, Osram or Tridonic.

SHINE



Hole size

Technical drawing

AVAILABLE SLM OPTIONS

To order the correct product, please replace **COB*** in the article number field with the COB code found on the last page of the catalogue

ARTICLE NUMBER	LUMINOUS FLUX	BRAND	OUTPUT POWER	COLOUR TEMPERATURE	CRI	SETTING	POWER FACTOR
4034. COB* .25.Δ	1100	Philips SLM G6	7W	827 / 830 / 835 / 840 / 850	>80	High Efficiency	>0,9
4034. COB* .25.Δ	1100	Philips SLM G6	8W	927 / 930	>90	High Efficiency	>0,9
4034. COB* .25.Δ	1100	Philips SLM G6	7W	830 Premium White	>80	High Efficiency	>0,9
4034. COB* .25.Δ	1100	Philips SLM G6	8W	930 / 935 / 940 Premium White	>90	High Efficiency	>0,9
4034. COB* .25.Δ	1100	Philips SLM G6	10W	930 Crisp White (930 CW)	>90	High Efficiency	>0,9
4034. COB* .25.Δ	1100	Philips SLM G6	11W	Food Warm White (FWW)	84	High Efficiency	>0,9
4034. COB* .25.Δ	1100	Philips SLM G6	11W	Food Premium Red (FPR)	88	High Efficiency	>0,9
4034. COB* .25.Δ	2000	Philips SLM G6	13W	827 / 830 / 835 / 840 / 850	>80	High Efficiency	>0,9
4034. COB* .25.Δ	2000	Philips SLM G6	17W	927 / 930	>90	High Efficiency	>0,9
4034. COB* .25.Δ	2000	Philips SLM G6	14W	830 Premium White	>80	High Efficiency	>0,9
4034. COB* .25.Δ	2000	Philips SLM G6	16W	930 / 935 / 940 Premium White	>90	High Efficiency	>0,9
4034. COB* .25.Δ	2000	Philips SLM G6	21W	930 Crisp White (930 CW)	>90	High Efficiency	>0,9
4034. COB* .25.Δ	2000	Philips SLM G6	23W	Food Warm White (FWW)	84	High Efficiency	>0,9
4034. COB* .25.Δ	2000	Philips SLM G6	22W	Food Premium Red (FPR)	88	High Efficiency	>0,9
4034. COB* .25.Δ	3000	Philips SLM G6	19W	827 / 830 / 835 / 840 / 850 / 857	>80	High Efficiency	>0,9
4034. COB* .25.Δ	3000	Philips SLM G6	26W	927 / 930	>90	High Efficiency	>0,9
4034. COB* .25.Δ	3000	Philips SLM G6	20W	830 Premium White	>80	High Efficiency	>0,9
4034. COB* .25.Δ	3000	Philips SLM G6	25W	930 / 935 / 940 Premium White	>90	High Efficiency	>0,9
4034. COB* .25.Δ	3000	Philips SLM G6	32W	930 Crisp White (930 CW)	>90	High Efficiency	>0,9
4034. COB* .25.Δ	4500	Philips SLM G6	29W	827 / 830 / 835 / 840 / 850 / 857	>80	High Efficiency	>0,9

High efficiency is the standard Keylight setting for all SLM G6 LED modules. For technical and warranty information regarding high efficiency, see last page of the catalogue. Standard system warranty is 5 years.



PRODUCT MATERIAL	Die-cast aluminium + aluminium
LIGHT SOURCE	SLM G6
MODULE LIFETIME	Approx. 50.000 hours
LED COOLING	Passive cooling
DRIVER	Incl. Xitanium driver.
COLORS (Δ)	○ 3 = RAL 9003 white ● 5 = RAL 9005 black
BEAM ANGLE	24°
ADJUSTABLE	Yes
SIZE	156 X 224MM



OPTIONS

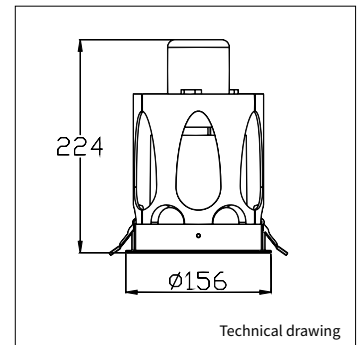
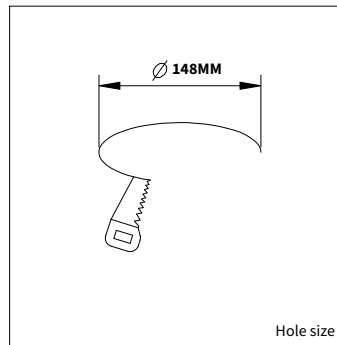
EMERGENCY BALLAST	0187.003.01 1 hours.	€ 180,00
OPTIONAL BEAM ANGLE	12° 3021.012.00.0	€ 5,00
	36° 3021.036.00.0	€ 5,00
DIFFUSER	0180.999.99 (frosted diffuser)	€ 9,50
DIFFUSER W/ HOLE	0185.999.99 (frosted diffuser)	€ 9,50
DIMMABLE	Dimmable DALI	€ 60,00

INFORMATION

WARRANTY	5 Years
-----------------	---------

Δ = product color code. See colors

Keylight International reserves the right to modify or change technical, construction or LED specifications due to continuous improvements of our products and light sources. The light source in this product can be replaced with an equivalent module made by Philips, Osram or Tridonic.



Hole size

Technical drawing

AVAILABLE SLM OPTIONS

To order the correct product, please replace **COB*** in the article number field with the COB code found on the last page of the catalogue

ARTICLE NUMBER	LUMINOUS FLUX	BRAND	OUTPUT POWER	COLOUR TEMPERATURE	CRI	SETTING	POWER FACTOR
Δ See colors							
4026. COB* .24.Δ	1100	Philips SLM G6	7W	827 / 830 / 835 / 840 / 850	>80	High Efficiency	>0,9
4026. COB* .24.Δ	1100	Philips SLM G6	8W	927 / 930	>90	High Efficiency	>0,9
4026. COB* .24.Δ	1100	Philips SLM G6	7W	830 Premium White	>80	High Efficiency	>0,9
4026. COB* .24.Δ	1100	Philips SLM G6	8W	930 / 935 / 940 Premium White	>90	High Efficiency	>0,9
4026. COB* .24.Δ	1100	Philips SLM G6	10W	930 Crisp White (930 CW)	>90	High Efficiency	>0,9
4026. COB* .24.Δ	1100	Philips SLM G6	11W	Food Warm White (FWW)	84	High Efficiency	>0,9
4026. COB* .24.Δ	1100	Philips SLM G6	11W	Food Premium Red (FPR)	88	High Efficiency	>0,9
4026. COB* .24.Δ	2000	Philips SLM G6	13W	827 / 830 / 835 / 840 / 850	>80	High Efficiency	>0,9
4026. COB* .24.Δ	2000	Philips SLM G6	17W	927 / 930	>90	High Efficiency	>0,9
4026. COB* .24.Δ	2000	Philips SLM G6	14W	830 Premium White	>80	High Efficiency	>0,9
4026. COB* .24.Δ	2000	Philips SLM G6	16W	930 / 935 / 940 Premium White	>90	High Efficiency	>0,9
4026. COB* .24.Δ	2000	Philips SLM G6	21W	930 Crisp White (930 CW)	>90	High Efficiency	>0,9
4026. COB* .24.Δ	2000	Philips SLM G6	21W	Food Warm White (FWW)	84	High Efficiency	>0,9
4026. COB* .24.Δ	2000	Philips SLM G6	20W	Food Premium Red (FPR)	88	High Efficiency	>0,9
4026. COB* .24.Δ	3000	Philips SLM G6	19W	827 / 830 / 835 / 840 / 850 / 857	>80	High Efficiency	>0,9
4026. COB* .24.Δ	3000	Philips SLM G6	26W	927 / 930	>90	High Efficiency	>0,9
4026. COB* .24.Δ	3000	Philips SLM G6	20W	830 Premium White	>80	High Efficiency	>0,9
4026. COB* .24.Δ	3000	Philips SLM G6	25W	930 / 935 / 940 Premium White	>90	High Efficiency	>0,9
4026. COB* .24.Δ	3000	Philips SLM G6	32W	930 Crisp White (930 CW)	>90	High Efficiency	>0,9
4026. COB* .24.Δ	3000	Philips SLM G6	34W	Food Warm White (FWW)	84	High Efficiency	>0,9
4026. COB* .24.Δ	3000	Philips SLM G6	32W	Food Premium Red (FPR)	88	High Efficiency	>0,9
4026. COB* .24.Δ	4500	Philips SLM G6	29W	827 / 830 / 835 / 840 / 850 / 857	>80	High Efficiency	>0,9
4026. COB* .24.Δ	4500	Philips SLM G6	38W	927 / 930	>90	High Efficiency	>0,9
4026. COB* .24.Δ	4500	Philips SLM G6	30W	830 Premium White	>80	High Efficiency	>0,9
4026. COB* .24.Δ	4500	Philips SLM G6	37W	930 / 935 / 940 Premium White	>90	High Efficiency	>0,9
4026. COB* .24.Δ	4500	Philips SLM G6	45W	930 Crisp White (930 CW)	>90	High Efficiency	>0,9
4026. COB* .24.Δ	4500	Philips SLM G6	46W	Food Warm White (FWW)	84	High Efficiency	>0,9
4026. COB* .24.Δ	4500	Philips SLM G6	46W	Food Premium Red (FPR)	88	High Efficiency	>0,9

High efficiency is the standard Keylight setting for all SLM G6 LED modules. For technical and warranty information regarding high efficiency, see last page of the catalogue. Standard system warranty is 5 years.





ROLED 17

PRODUCT MATERIAL	Die-cast aluminium
LIGHT SOURCE	SLM G6
MODULE LIFETIME	Approx. 50.000 hours
LED COOLING	Passive cooling
DRIVER	Incl. Xitanium driver.
COLORS (Δ)	○ 3 = RAL 9003 white ● 5 = RAL 9005 black
BEAM ANGLE	24°
ADJUSTABLE	Yes
SIZE	169 X 118MM



OPTIONS

EMERGENCY BALLAST	0187.003.01 1 Hour	€ 180,00
OPTIONAL BEAM ANGLE	16° 4224.012.00.0	€ 5,00
	36° 4224.036.00.0	€ 5,00
DIMMABLE	Dimmable DALI	€ 60,00

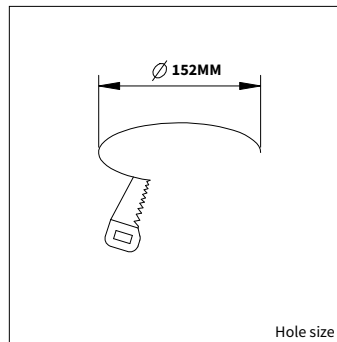
INFORMATION

WARRANTY	5 Years
-----------------	---------

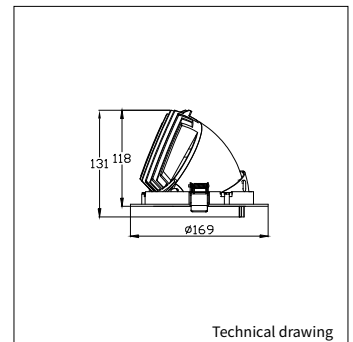
Δ = product color code. See colors

Keylight International reserves the right to modify or change technical, construction or LED specifications due to continuous improvements of our products and light sources. The light source in this product can be replaced with an equivalent module made by Philips, Osram or Tridonic.

ROLED 17



Hole size



Technical drawing

AVAILABLE SLM OPTIONS

To order the correct product, please replace **COB*** in the article number field with the COB code found on the last page of the catalogue

ARTICLE NUMBER Δ See colors	LUMINOUS FLUX	BRAND	OUTPUT POWER	COLOUR TEMPERATURE	CRI	SETTING	POWER FACTOR
4224.COB*.24.Δ	1100	Philips SLM G6	7W	827 / 830 / 835 / 840 / 850	>80	High Efficiency	>0,9
4224.COB*.24.Δ	1100	Philips SLM G6	8W	927 / 930	>90	High Efficiency	>0,9
4224.COB*.24.Δ	1100	Philips SLM G6	7W	830 Premium White	>80	High Efficiency	>0,9
4224.COB*.24.Δ	1100	Philips SLM G6	8W	930 / 935 / 940 Premium White	>90	High Efficiency	>0,9
4224.COB*.24.Δ	1100	Philips SLM G6	10W	930 Crisp White (930 CW)	>90	High Efficiency	>0,9
4224.COB*.24.Δ	1100	Philips SLM G6	11W	Food Warm White (FWW)	84	High Efficiency	>0,9
4224.COB*.24.Δ	1100	Philips SLM G6	11W	Food Premium Red (FPR)	88	High Efficiency	>0,9
4224.COB*.24.Δ	2000	Philips SLM G6	13W	827 / 830 / 835 / 840 / 850	>80	High Efficiency	>0,9
4224.COB*.24.Δ	2000	Philips SLM G6	17W	927 / 930	>90	High Efficiency	>0,9
4224.COB*.24.Δ	2000	Philips SLM G6	14W	830 Premium White	>80	High Efficiency	>0,9
4224.COB*.24.Δ	2000	Philips SLM G6	16W	930 / 935 / 940 Premium White	>90	High Efficiency	>0,9
4224.COB*.24.Δ	2000	Philips SLM G6	21W	930 Crisp White (930 CW)	>90	High Efficiency	>0,9
4224.COB*.24.Δ	2000	Philips SLM G6	21W	Food Warm White (FWW)	84	High Efficiency	>0,9
4224.COB*.24.Δ	2000	Philips SLM G6	20W	Food Premium Red (FPR)	88	High Efficiency	>0,9
4224.COB*.24.Δ	3000	Philips SLM G6	19W	827 / 830 / 835 / 840 / 850 / 857	>80	High Efficiency	>0,9
4224.COB*.24.Δ	3000	Philips SLM G6	26W	927 / 930	>90	High Efficiency	>0,9
4224.COB*.24.Δ	3000	Philips SLM G6	20W	830 Premium White	>80	High Efficiency	>0,9
4224.COB*.24.Δ	3000	Philips SLM G6	25W	930 / 935 / 940 Premium White	>90	High Efficiency	>0,9
4224.COB*.24.Δ	3000	Philips SLM G6	32W	930 Crisp White (930 CW)	>90	High Efficiency	>0,9
4224.COB*.24.Δ	3000	Philips SLM G6	34W	Food Warm White (FWW)	84	High Efficiency	>0,9
4224.COB*.24.Δ	3000	Philips SLM G6	32W	Food Premium Red (FPR)	88	High Efficiency	>0,9
4224.COB*.24.Δ	4500	Philips SLM G6	29W	827 / 830 / 835 / 840 / 850 / 857	>80	High Efficiency	>0,9
4224.COB*.24.Δ	4500	Philips SLM G6	30W	830 Premium White	>80	High Efficiency	>0,9

High efficiency is the standard Keylight setting for all SLM G6 LED modules. For technical and warranty information regarding high efficiency, see last page of the catalogue. Standard system warranty is 5 years.

VISION 15



PRODUCT MATERIAL	Die-cast aluminium
LIGHT SOURCE	SLM G6
MODULE LIFETIME	Approx. 50.000 hours
LED COOLING	Passive cooling
DRIVER	Incl. Xitanium driver.
COLORS (Δ)	<ul style="list-style-type: none"> ○ 3 = RAL 9003 white ● 5 = RAL 9005 black ● 6 = RAL 9006 alu
BEAM ANGLE	
ADJUSTABLE	Yes
SIZE	146 X 137MM



OPTIONS

EMERGENCY BALLAST	0187.003.01 - 1 hours.	€ 180,00
DIFFUSER	0186.999.99 (frosted diffuser)	€ 9,50
DIFFUSER W/ HOLE	0188.999.99 (frosted diffuser)	€ 9,50
DIMMABLE	Dimmable DALI	€ 60,00

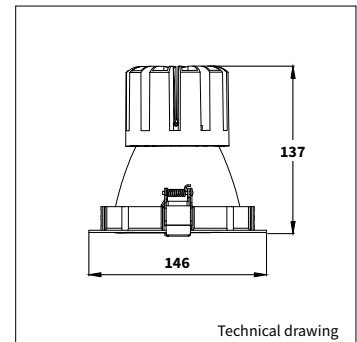
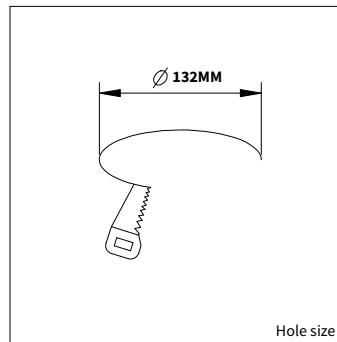
INFORMATION

WARRANTY	5 Years
-----------------	---------

Δ = product color code. See colors

Keylight International reserves the right to modify or change technical, construction or LED specifications due to continuous improvements of our products and light sources. The light source in this product can be replaced with an equivalent module made by Philips, Osram or Tridonic.

VISION 15



AVAILABLE SLM OPTIONS

To order the correct product, please replace **COB*** in the article number field with the COB code found on the last page of the catalogue

ARTICLE NUMBER	LUMINOUS FLUX	BRAND	OUTPUT POWER	COLOUR TEMPERATURE	CRI	SETTING	POWER FACTOR
4021. COB* .24.Δ	1100	Philips SLM G6	7W	827 / 830 / 835 / 840 / 850	>80	High Efficiency	>0,9
4021. COB* .24.Δ	1100	Philips SLM G6	8W	927 / 930	>90	High Efficiency	>0,9
4021. COB* .24.Δ	1100	Philips SLM G6	7W	830 Premium White	>80	High Efficiency	>0,9
4021. COB* .24.Δ	1100	Philips SLM G6	8W	930 / 935 / 940 Premium White	>90	High Efficiency	>0,9
4021. COB* .24.Δ	1100	Philips SLM G6	10W	930 Crisp White (930 CW)	>90	High Efficiency	>0,9
4021. COB* .24.Δ	1100	Philips SLM G6	11W	Food Warm White (FWW)	84	High Efficiency	>0,9
4021. COB* .24.Δ	1100	Philips SLM G6	11W	Food Premium Red (FPR)	88	High Efficiency	>0,9
4021. COB* .24.Δ	2000	Philips SLM G6	13W	827 / 830 / 835 / 840 / 850	>80	High Efficiency	>0,9
4021. COB* .24.Δ	2000	Philips SLM G6	17W	927 / 930	>90	High Efficiency	>0,9
4021. COB* .24.Δ	2000	Philips SLM G6	14W	830 Premium White	>80	High Efficiency	>0,9
4021. COB* .24.Δ	2000	Philips SLM G6	16W	930 / 935 / 940 Premium White	>90	High Efficiency	>0,9
4021. COB* .24.Δ	2000	Philips SLM G6	21W	930 Crisp White (930 CW)	>90	High Efficiency	>0,9
4021. COB* .24.Δ	2000	Philips SLM G6	21W	Food Warm White (FWW)	84	High Efficiency	>0,9
4021. COB* .24.Δ	2000	Philips SLM G6	20W	Food Premium Red (FPR)	88	High Efficiency	>0,9
4021. COB* .24.Δ	3000	Philips SLM G6	19W	827 / 830 / 835 / 840 / 850 / 857	>80	High Efficiency	>0,9
4021. COB* .24.Δ	3000	Philips SLM G6	20W	830 Premium White	>80	High Efficiency	>0,9

High efficiency is the standard Keylight setting for all SLM G6 LED modules. For technical and warranty information regarding high efficiency, see last page of the catalogue. Standard system warranty is 5 years.



VISION 20

PRODUCT MATERIAL	Die-cast aluminium
LIGHT SOURCE	SLM G6
MODULE LIFETIME	Approx. 50.000 hours
LED COOLING	Passive cooling
DRIVER	Incl. Xitanium driver.
COLORS (Δ)	<ul style="list-style-type: none"> ○ 3 = RAL 9003 white ● 5 = RAL 9005 black ● 6 = RAL 9006 alu
BEAM ANGLE	24°
ADJUSTABLE	Yes
SIZE	197 X 162 XMM



OPTIONS

EMERGENCY BALLAST	0187.003.01 - 1 hours.	€ 180,00
DIFFUSER	0183.999.99 (frosted diffuser)	€ 9,50
DIFFUSER W/ HOLE	0189.999.99 (frosted diffuser)	€ 9,50
DIMMABLE	Dimmable DALI	€ 60,00
REFLECTOR	36° 4023.036.00.0	€ 5,00

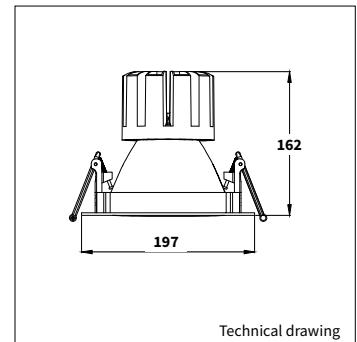
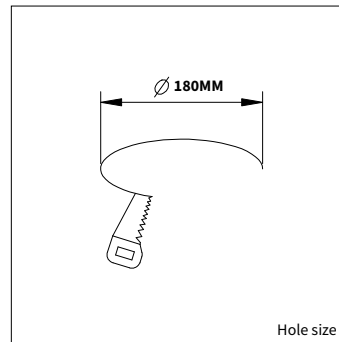
VISION 20

INFORMATION

WARRANTY	5 Years
-----------------	---------

Δ = product color code. See colors

Keylight International reserves the right to modify or change technical, construction or LED specifications due to continuous improvements of our products and lightsources. The light source in this product can be replaced with an equivalent module made by Philips, Osram or Tridonic.



AVAILABLE SLM OPTIONS

To order the correct product, please replace **COB*** in the article number field with the COB code found on the last page of the catalogue

ARTICLE NUMBER Δ See colors	LUMINOUS FLUX	BRAND	OUTPUT POWER	COLOUR TEMPERATURE	CRI	SETTING	POWER FACTOR
4023. COB* .24.Δ	1100	Philips SLM G6	7W	827 / 830 / 835 / 840 / 850	>80	High Efficiency	>0,9
4023. COB* .24.Δ	1100	Philips SLM G6	8W	927 / 930	>90	High Efficiency	>0,9
4023. COB* .24.Δ	1100	Philips SLM G6	7W	830 Premium White	>80	High Efficiency	>0,9
4023. COB* .24.Δ	1100	Philips SLM G6	8W	930 / 935 / 940 Premium White	>90	High Efficiency	>0,9
4023. COB* .24.Δ	1100	Philips SLM G6	10W	930 Crisp White (930 CW)	>90	High Efficiency	>0,9
4023. COB* .24.Δ	1100	Philips SLM G6	11W	Food Warm White (FWW)	84	High Efficiency	>0,9
4023. COB* .24.Δ	1100	Philips SLM G6	11W	Food Premium Red (FPR)	88	High Efficiency	>0,9
4023. COB* .24.Δ	2000	Philips SLM G6	13W	827 / 830 / 835 / 840 / 850	>80	High Efficiency	>0,9
4023. COB* .24.Δ	2000	Philips SLM G6	17W	927 / 930	>90	High Efficiency	>0,9
4023. COB* .24.Δ	2000	Philips SLM G6	14W	830 Premium White	>80	High Efficiency	>0,9
4023. COB* .24.Δ	2000	Philips SLM G6	16W	930 / 935 / 940 Premium White	>90	High Efficiency	>0,9
4023. COB* .24.Δ	2000	Philips SLM G6	21W	930 Crisp White (930 CW)	>90	High Efficiency	>0,9
4023. COB* .24.Δ	2000	Philips SLM G6	21W	Food Warm White (FWW)	84	High Efficiency	>0,9
4023. COB* .24.Δ	2000	Philips SLM G6	20W	Food Premium Red (FPR)	88	High Efficiency	>0,9
4023. COB* .24.Δ	3000	Philips SLM G6	19W	827 / 830 / 835 / 840 / 850 / 857	>80	High Efficiency	>0,9
4023. COB* .24.Δ	3000	Philips SLM G6	26W	927 / 930	>90	High Efficiency	>0,9
4023. COB* .24.Δ	3000	Philips SLM G6	20W	830 Premium White	>80	High Efficiency	>0,9
4023. COB* .24.Δ	3000	Philips SLM G6	25W	930 / 935 / 940 Premium White	>90	High Efficiency	>0,9
4023. COB* .24.Δ	3000	Philips SLM G6	32W	930 Crisp White (930 CW)	>90	High Efficiency	>0,9
4023. COB* .24.Δ	3000	Philips SLM G6	34W	Food Warm White (FWW)	84	High Efficiency	>0,9
4023. COB* .24.Δ	3000	Philips SLM G6	32W	Food Premium Red (FPR)	88	High Efficiency	>0,9
4023. COB* .24.Δ	4500	Philips SLM G6	29W	827 / 830 / 835 / 840 / 850 / 857	>80	High Efficiency	>0,9
4023. COB* .24.Δ	4500	Philips SLM G6	30W	830 Premium White	>80	High Efficiency	>0,9

High efficiency is the standard Keylight setting for all SLM G6 LED modules. For technical and warranty information regarding high efficiency, see last page of the catalogue. Standard system warranty is 5 years.



PRODUCT MATERIAL

Steel and Aluminium

LIGHT SOURCE

Philips SLM G6

MODULE LIFETIME

Approx. 50.000 hours

LED COOLING

Passive cooling

COLORS

- 3 = RAL 9003 white
- 5 = RAL 9005 black
- 6 = RAL 9006 alu

BEAM ANGLE



ADJUSTABLE

Yes

SIZE

125 X 140MM



OPTIONS

COLORS

Available in all RAL colours on request

Additional price + 10%

EMERGENCY BALLAST

0187.003.01 1 Hour € 180,00

DIMMABLE

Dimmable DALI € 60,00

INFORMATION

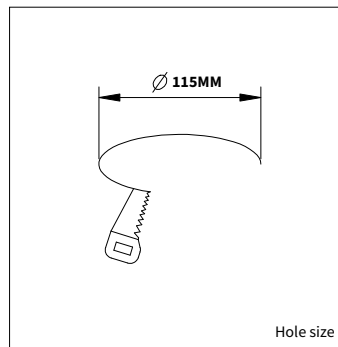
WARRANTY

5 Years

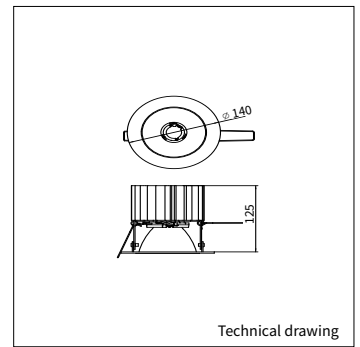
Δ = product color code. See colors

Keylight International reserves the right to modify or change technical, construction or LED specifications due to continuous improvements of our products and light sources. The light source in this product can be replaced with an equivalent module made by Philips, Osram or Tridonic.

NICE



Hole size



Technical drawing

AVAILABLE SLM OPTIONS

To order the correct product, please replace **COB*** in the article number field with the COB code found on the last page of the catalogue

ARTICLE NUMBER	LUMINOUS FLUX	BRAND	OUTPUT POWER	COLOUR TEMPERATURE	CRI	SETTING	POWER FACTOR
4088. COB* .24.Δ	1100	Philips SLM G6	7W	827 / 830 / 835 / 840 / 850	>80	High Efficiency	>0,9
4088. COB* .24.Δ	1100	Philips SLM G6	8W	927 / 930	>90	High Efficiency	>0,9
4088. COB* .24.Δ	1100	Philips SLM G6	7W	830 Premium White	>80	High Efficiency	>0,9
4088. COB* .24.Δ	1100	Philips SLM G6	8W	930 / 935 / 940 Premium White	>90	High Efficiency	>0,9
4088. COB* .24.Δ	1100	Philips SLM G6	10W	930 Crisp White (930 CW)	>90	High Efficiency	>0,9
4088. COB* .24.Δ	1100	Philips SLM G6	11W	Food Warm White (FWW)	84	High Efficiency	>0,9
4088. COB* .24.Δ	1100	Philips SLM G6	11W	Food Premium Red (FPR)	88	High Efficiency	>0,9
4088. COB* .24.Δ	2000	Philips SLM G6	13W	827 / 830 / 835 / 840 / 850	>80	High Efficiency	>0,9
4088. COB* .24.Δ	2000	Philips SLM G6	17W	927 / 930	>90	High Efficiency	>0,9
4088. COB* .24.Δ	2000	Philips SLM G6	14W	830 Premium White	>80	High Efficiency	>0,9
4088. COB* .24.Δ	2000	Philips SLM G6	16W	930 / 935 / 940 Premium White	>90	High Efficiency	>0,9
4088. COB* .24.Δ	2000	Philips SLM G6	21W	930 Crisp White (930 CW)	>90	High Efficiency	>0,9
4088. COB* .24.Δ	2000	Philips SLM G6	23W	Food Warm White (FWW)	84	High Efficiency	>0,9
4088. COB* .24.Δ	2000	Philips SLM G6	22W	Food Premium Red (FPR)	88	High Efficiency	>0,9
4088. COB* .24.Δ	3000	Philips SLM G6	19W	827 / 830 / 835 / 840 / 850 / 857	>80	High Efficiency	>0,9
4088. COB* .24.Δ	3000	Philips SLM G6	26W	927 / 930	>90	High Efficiency	>0,9
4088. COB* .24.Δ	3000	Philips SLM G6	20W	830 Premium White	>80	High Efficiency	>0,9
4088. COB* .24.Δ	3000	Philips SLM G6	25W	930 / 935 / 940 Premium White	>90	High Efficiency	>0,9
4088. COB* .24.Δ	3000	Philips SLM G6	32W	930 Crisp White (930 CW)	>90	High Efficiency	>0,9
4088. COB* .24.Δ	3000	Philips SLM G6	39W	Food Warm White (FWW)	84	High Efficiency	>0,9
4088. COB* .24.Δ	3000	Philips SLM G6	37W	Food Premium Red (FPR)	88	High Efficiency	>0,9

High efficiency is the standard Keylight setting for all SLM G6 LED modules. For technical and warranty information regarding high efficiency, see last page of the catalogue. Standard system warranty is 5 years.



PRODUCT MATERIAL	Steel and Aluminium
LIGHT SOURCE	Philips SLM G6
MODULE LIFETIME	Approx. 50.000 hours
LED COOLING	Passive cooling
COLORS	<ul style="list-style-type: none"> ○ 3 = RAL 9003 white ● 5 = RAL 9005 black ● 6 = RAL 9006 alu
BEAM ANGLE	60°
ADJUSTABLE	No
SIZE	110 X 100MM



OPTIONS

COLORS	Available in all RAL colours on request		
	Additional price + 10%		
EMERGENCY BALLAST	0187.003.01 1 Hour	€	180,00
DIMMABLE	Dimmable DALI	€	60,00

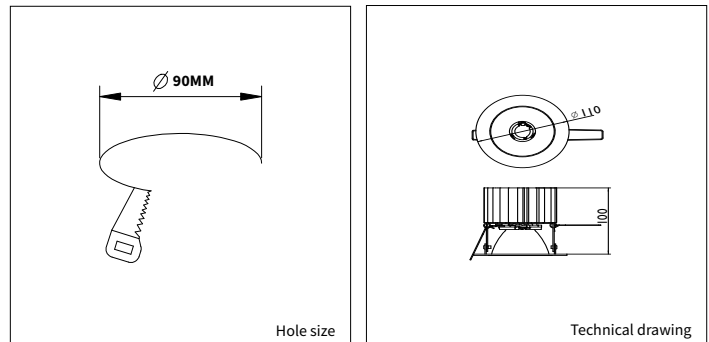
INFORMATION

WARRANTY	5 Years
-----------------	---------

IOWA 11

Δ = product color code. See colors

Keylight International reserves the right to modify or change technical, construction or LED specifications due to continuous improvements of our products and lightsources. The light source in this product can be replaced with an equivalent module made by Philips, Osram or Tridonic.



Hole size

Technical drawing

AVAILABLE SLM OPTIONS

To order the correct product, please replace **COB*** in the article number field with the COB code found on the last page of the catalogue

ARTICLE NUMBER	LUMINOUS FLUX	BRAND	OUTPUT POWER	COLOUR TEMPERATURE	CRI	SETTING	POWER FACTOR
4088. COB* .24.Δ	1100	Philips SLM G6	7W	827 / 830 / 835 / 840 / 850	>80	High Efficiency	>0,9
4088. COB* .24.Δ	1100	Philips SLM G6	8W	927 / 930	>90	High Efficiency	>0,9
4088. COB* .24.Δ	1100	Philips SLM G6	7W	830 Premium White	>80	High Efficiency	>0,9
4088. COB* .24.Δ	1100	Philips SLM G6	8W	930 / 935 / 940 Premium White	>90	High Efficiency	>0,9
4088. COB* .24.Δ	1100	Philips SLM G6	10W	930 Crisp White (930 CW)	>90	High Efficiency	>0,9
4088. COB* .24.Δ	1100	Philips SLM G6	11W	Food Warm White (FWW)	84	High Efficiency	>0,9
4088. COB* .24.Δ	1100	Philips SLM G6	11W	Food Premium Red (FPR)	88	High Efficiency	>0,9
4088. COB* .24.Δ	2000	Philips SLM G6	13W	827 / 830 / 835 / 840 / 850	>80	High Efficiency	>0,9
4088. COB* .24.Δ	2000	Philips SLM G6	17W	927 / 930	>90	High Efficiency	>0,9
4088. COB* .24.Δ	2000	Philips SLM G6	14W	830 Premium White	>80	High Efficiency	>0,9
4088. COB* .24.Δ	2000	Philips SLM G6	16W	930 / 935 / 940 Premium White	>90	High Efficiency	>0,9
4088. COB* .24.Δ	2000	Philips SLM G6	21W	930 Crisp White (930 CW)	>90	High Efficiency	>0,9
4088. COB* .24.Δ	2000	Philips SLM G6	23W	Food Warm White (FWW)	84	High Efficiency	>0,9
4088. COB* .24.Δ	2000	Philips SLM G6	22W	Food Premium Red (FPR)	88	High Efficiency	>0,9
4088. COB* .24.Δ	3000	Philips SLM G6	19W	827 / 830 / 835 / 840 / 850 / 857	>80	High Efficiency	>0,9
4088. COB* .24.Δ	3000	Philips SLM G6	26W	927 / 930	>90	High Efficiency	>0,9
4088. COB* .24.Δ	3000	Philips SLM G6	20W	830 Premium White	>80	High Efficiency	>0,9
4088. COB* .24.Δ	3000	Philips SLM G6	25W	930 / 935 / 940 Premium White	>90	High Efficiency	>0,9
4088. COB* .24.Δ	3000	Philips SLM G6	32W	930 Crisp White (930 CW)	>90	High Efficiency	>0,9
4088. COB* .24.Δ	3000	Philips SLM G6	39W	Food Warm White (FWW)	84	High Efficiency	>0,9
4088. COB* .24.Δ	3000	Philips SLM G6	37W	Food Premium Red (FPR)	88	High Efficiency	>0,9

High efficiency is the standard Keylight setting for all SLM G6 LED modules. For technical and warranty information regarding high efficiency, see last page of the catalogue. Standard system warranty is 5 years.



PRODUCT MATERIAL	Steel and aluminium
LIGHT SOURCE	Philips SLM G6
MODULE LIFETIME	Approx. 50.000 hours
LED COOLING	Passive cooling
DRIVER	Incl. Xitanium Driver
COLORS	<ul style="list-style-type: none"> ○ 3 = RAL 9003 white ● 5 = RAL 9005 black ● 6 = RAL 9006 alu
BEAM ANGLE	
ADJUSTABLE	No
SIZE	142 X 95MM



OPTIONS

COLORS	Available in all RAL colours on request. Additional price + 10%		
EMERGENCY BALLAST	0187.003.01 1 hour	€	180,00
DIMMABLE	Dimmable DALI	€	60,00
IP RING	IP44 ring (on request)		

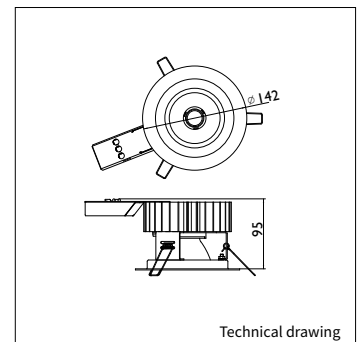
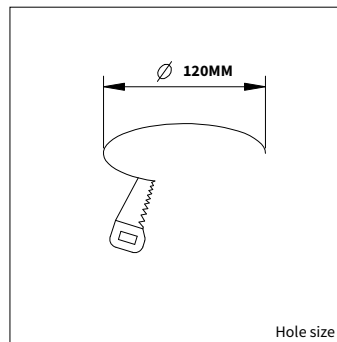
CARSON 14

INFORMATION

WARRANTY	5 Years
-----------------	---------

Δ = product color code. See colors

Keylight International reserves the right to modify or change technical, construction or LED specifications due to continuous improvements of our products and light sources. The light source in this product can be replaced with an equivalent module made by Philips, Osram or Tridonic.



AVAILABLE SLM OPTIONS

To order the correct product, please replace **COB*** in the article number field with the COB code found on the last page of the catalogue

ARTICLE NUMBER	LUMINOUS FLUX	BRAND	OUTPUT POWER	COLOUR TEMPERATURE	CRI	SETTING	POWER FACTOR
4086. COB* .24.Δ	1100	Philips SLM G6	7W	827 / 830 / 835 / 840 / 850	>80	High Efficiency	>0,9
4086. COB* .24.Δ	1100	Philips SLM G6	8W	927 / 930	>90	High Efficiency	>0,9
4086. COB* .24.Δ	1100	Philips SLM G6	7W	830 Premium White	>80	High Efficiency	>0,9
4086. COB* .24.Δ	1100	Philips SLM G6	8W	930 / 935 / 940 Premium White	>90	High Efficiency	>0,9
4086. COB* .24.Δ	1100	Philips SLM G6	10W	930 Crisp White (930 CW)	>90	High Efficiency	>0,9
4086. COB* .24.Δ	1100	Philips SLM G6	11W	Food Warm White (FWW)	84	High Efficiency	>0,9
4086. COB* .24.Δ	1100	Philips SLM G6	11W	Food Premium Red (FPR)	88	High Efficiency	>0,9
4086. COB* .24.Δ	2000	Philips SLM G6	13W	827 / 830 / 835 / 840 / 850	>80	High Efficiency	>0,9
4086. COB* .24.Δ	2000	Philips SLM G6	17W	927 / 930	>90	High Efficiency	>0,9
4086. COB* .24.Δ	2000	Philips SLM G6	14W	830 Premium White	>80	High Efficiency	>0,9
4086. COB* .24.Δ	2000	Philips SLM G6	16W	930 / 935 / 940 Premium White	>90	High Efficiency	>0,9
4086. COB* .24.Δ	2000	Philips SLM G6	21W	930 Crisp White (930 CW)	>90	High Efficiency	>0,9
4086. COB* .24.Δ	2000	Philips SLM G6	23W	Food Warm White (FWW)	84	High Efficiency	>0,9
4086. COB* .24.Δ	2000	Philips SLM G6	22W	Food Premium Red (FPR)	88	High Efficiency	>0,9
4086. COB* .24.Δ	3000	Philips SLM G6	19W	827 / 830 / 835 / 840 / 850 / 857	>80	High Efficiency	>0,9
4086. COB* .24.Δ	3000	Philips SLM G6	26W	927 / 930	>90	High Efficiency	>0,9
4086. COB* .24.Δ	3000	Philips SLM G6	20W	830 Premium White	>80	High Efficiency	>0,9
4086. COB* .24.Δ	3000	Philips SLM G6	25W	930 / 935 / 940 Premium White	>90	High Efficiency	>0,9
4086. COB* .24.Δ	3000	Philips SLM G6	32W	930 Crisp White (930 CW)	>90	High Efficiency	>0,9
4086. COB* .24.Δ	3000	Philips SLM G6	39W	Food Warm White (FWW)	84	High Efficiency	>0,9
4086. COB* .24.Δ	3000	Philips SLM G6	37W	Food Premium Red (FPR)	88	High Efficiency	>0,9

i High efficiency is the standard Keylight setting for all SLM G6 LED modules. For technical and warranty information regarding high efficiency, see last page of the catalogue. Standard system warranty is 5 years.



PRODUCT MATERIAL	Steel and aluminium
LIGHT SOURCE	Philips SLM G6
MODULE LIFETIME	Approx. 50.000 hours
LED COOLING	Passive cooling
DRIVER	Incl. Xitanium Driver
COLORS	<ul style="list-style-type: none"> ○ 3 = RAL 9003 white ● 5 = RAL 9005 black ● 6 = RAL 9006 alu
BEAM ANGLE	
ADJUSTABLE	No
SIZE	195 X 152MM



OPTIONS

COLORS	Available in all RAL colours on request. Additional price + 10%		
EMERGENCY BALLAST	0187.003.01 1 hour	€	180,00
DIMMABLE	Dimmable DALI	€	60,00
IP RING	IP44 ring (on request)		

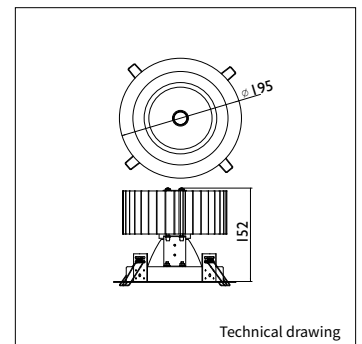
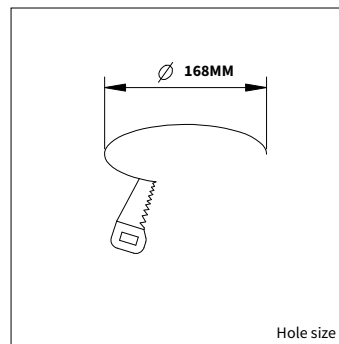
CARSON 18

INFORMATION

WARRANTY	5 Years
-----------------	---------

Δ = product color code. See colors

Keylight International reserves the right to modify or change technical, construction or LED specifications due to continuous improvements of our products and light sources. The light source in this product can be replaced with an equivalent module made by Philips, Osram or Tridonic.



AVAILABLE SLM OPTIONS

To order the correct product, please replace **COB*** in the article number field with the COB code found on the last page of the catalogue

ARTICLE NUMBER	LUMINOUS FLUX	BRAND	OUTPUT POWER	COLOUR TEMPERATURE	CRI	SETTING	POWER FACTOR
4087. COB* .24.Δ	1100	Philips SLM G6	7W	827 / 830 / 835 / 840 / 850	>80	High Efficiency	>0,9
4086. COB* .24.Δ	1100	Philips SLM G6	8W	927 / 930	>90	High Efficiency	>0,9
4087. COB* .24.Δ	1100	Philips SLM G6	7W	830 Premium White	>80	High Efficiency	>0,9
4087. COB* .24.Δ	1100	Philips SLM G6	8W	930 / 935 / 940 Premium White	>90	High Efficiency	>0,9
4087. COB* .24.Δ	1100	Philips SLM G6	10W	930 Crisp White (930 CW)	>90	High Efficiency	>0,9
4087. COB* .24.Δ	1100	Philips SLM G6	11W	Food Warm White (FWW)	84	High Efficiency	>0,9
4087. COB* .24.Δ	1100	Philips SLM G6	11W	Food Premium Red (FPR)	88	High Efficiency	>0,9
4087. COB* .24.Δ	2000	Philips SLM G6	13W	827 / 830 / 835 / 840 / 850	>80	High Efficiency	>0,9
4087. COB* .24.Δ	2000	Philips SLM G6	17W	927 / 930	>90	High Efficiency	>0,9
4087. COB* .24.Δ	2000	Philips SLM G6	14W	830 Premium White	>80	High Efficiency	>0,9
4087. COB* .24.Δ	2000	Philips SLM G6	16W	930 / 935 / 940 Premium White	>90	High Efficiency	>0,9
4087. COB* .24.Δ	2000	Philips SLM G6	21W	930 Crisp White (930 CW)	>90	High Efficiency	>0,9
4087. COB* .24.Δ	2000	Philips SLM G6	23W	Food Warm White (FWW)	84	High Efficiency	>0,9
4087. COB* .24.Δ	2000	Philips SLM G6	22W	Food Premium Red (FPR)	88	High Efficiency	>0,9
4087. COB* .24.Δ	3000	Philips SLM G6	19W	827 / 830 / 835 / 840 / 850 / 857	>80	High Efficiency	>0,9
4087. COB* .24.Δ	3000	Philips SLM G6	26W	927 / 930	>90	High Efficiency	>0,9
4087. COB* .24.Δ	3000	Philips SLM G6	20W	830 Premium White	>80	High Efficiency	>0,9
4087. COB* .24.Δ	3000	Philips SLM G6	25W	930 / 935 / 940 Premium White	>90	High Efficiency	>0,9
4087. COB* .24.Δ	3000	Philips SLM G6	32W	930 Crisp White (930 CW)	>90	High Efficiency	>0,9
4087. COB* .24.Δ	3000	Philips SLM G6	39W	Food Warm White (FWW)	84	High Efficiency	>0,9
4087. COB* .24.Δ	3000	Philips SLM G6	37W	Food Premium Red (FPR)	88	High Efficiency	>0,9

High efficiency is the standard Keylight setting for all SLM G6 LED modules. For technical and warranty information regarding high efficiency, see last page of the catalogue. Standard system warranty is 5 years.



PRODUCT MATERIAL	Die-cast aluminium + aluminium
LIGHT SOURCE	SLM G6
MODULE LIFETIME	Approx. 50.000 hours
LED COOLING	Passive cooling
DRIVER	Incl. Xitanium driver.
COLORS (Δ)	○ 3 = RAL 9003 white
BEAM ANGLE	60°
ADJUSTABLE	Yes
SIZE	174 X 92MM



OPTIONS

EMERGENCY BALLAST	0187.003.01 1 hours.	€ 180,00
DIMMABLE	Dimmable DALI	€ 60,00

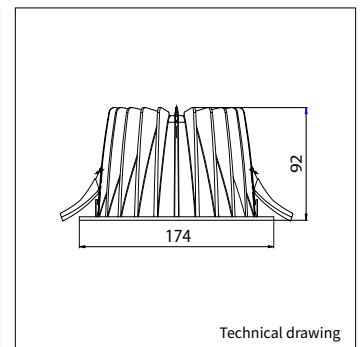
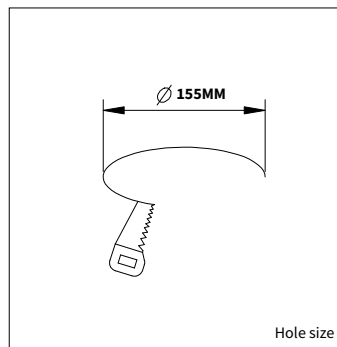
INFORMATION

WARRANTY	5 Years
-----------------	---------

Δ = product color code. See colors

Keylight International reserves the right to modify or change technical, construction or LED specifications due to continuous improvements of our products and light sources. The light source in this product can be replaced with an equivalent module made by Philips, Osram or Tridonic.

TRITON



AVAILABLE SLM OPTIONS

To order the correct product, please replace **COB*** in the article number field with the COB code found on the last page of the catalogue

ARTICLE NUMBER Δ See colors	LUMINOUS FLUX	BRAND	OUTPUT POWER	COLOUR TEMPERATURE	CRI	SETTING	POWER FACTOR
4079. COB* .60.Δ	1100	Philips SLM G6	7W	827 / 830 / 835 / 840 / 850	>80	High Efficiency	>0,9
4079. COB* .60.Δ	1100	Philips SLM G6	8W	927 / 930	>90	High Efficiency	>0,9
4079. COB* .60.Δ	1100	Philips SLM G6	7W	830 Premium White	>80	High Efficiency	>0,9
4079. COB* .60.Δ	1100	Philips SLM G6	8W	930 / 935 / 940 Premium White	>90	High Efficiency	>0,9
4079. COB* .60.Δ	1100	Philips SLM G6	10W	930 Crisp White (930 CW)	>90	High Efficiency	>0,9
4079. COB* .60.Δ	1100	Philips SLM G6	11W	Food Warm White (FWW)	84	High Efficiency	>0,9
4079. COB* .60.Δ	1100	Philips SLM G6	11W	Food Premium Red (FPR)	88	High Efficiency	>0,9
4079. COB* .60.Δ	2000	Philips SLM G6	13W	827 / 830 / 835 / 840 / 850	>80	High Efficiency	>0,9
4079. COB* .60.Δ	2000	Philips SLM G6	17W	927 / 930	>90	High Efficiency	>0,9
4079. COB* .60.Δ	2000	Philips SLM G6	14W	830 Premium White	>80	High Efficiency	>0,9
4079. COB* .60.Δ	2000	Philips SLM G6	16W	930 / 935 / 940 Premium White	>90	High Efficiency	>0,9
4079. COB* .60.Δ	2000	Philips SLM G6	21W	930 Crisp White (930 CW)	>90	High Efficiency	>0,9
4079. COB* .60.Δ	2000	Philips SLM G6	21W	Food Warm White (FWW)	84	High Efficiency	>0,9
4079. COB* .60.Δ	2000	Philips SLM G6	20W	Food Premium Red (FPR)	88	High Efficiency	>0,9
4079. COB* .60.Δ	3000	Philips SLM G6	19W	827 / 830 / 835 / 840 / 850 / 857	>80	High Efficiency	>0,9
4079. COB* .24.Δ	3000	Philips SLM G6	26W	927 / 930	>90	High Efficiency	>0,9
4079. COB* .24.Δ	3000	Philips SLM G6	20W	830 Premium White	>80	High Efficiency	>0,9
4079. COB* .24.Δ	3000	Philips SLM G6	25W	930 / 935 / 940 Premium White	>90	High Efficiency	>0,9

High efficiency is the standard Keylight setting for all SLM G6 LED modules. For technical and warranty information regarding high efficiency, see last page of the catalogue. Standard system warranty is 5 years.



PRODUCT MATERIAL	Die-cast aluminium
LIGHT SOURCE	SLM G6
MODULE LIFETIME	Approx. 50.000 hours
DRIVER	Incl. Xitanium driver
LED COOLING	Passive cooling
COLORS	○ 3 = RAL 9003 white
BEAM ANGLE	▲ 24°
ADJUSTABLE	Yes
SIZE	169 X 156MM



OPTIONS

EMERGENCY BALLAST	0187.003.01 1 Hour	€ 180,00
OPTIONAL BEAM ANGLE	▲ 18° 3045.018.00.0	€ 5,00
	▲ 36° 3045.036.00.0	€ 5,00
DIMMABLE	Dimmable DALI	€ 60,00

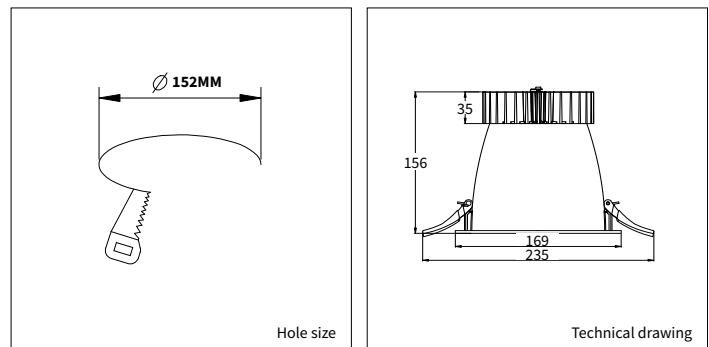
WHALE

INFORMATION

WARRANTY	5 Years
-----------------	---------

Δ = product color code. See colors

Keylight International reserves the right to modify or change technical, construction or LED specifications due to continuous improvements of our products and light sources. The light source in this product can be replaced with an equivalent module made by Philips, Osram or Tridonic.



Hole size

Technical drawing

AVAILABLE SLM OPTIONS

To order the correct product, please replace **COB*** in the article number field with the COB code found on the last page of the catalogue

ARTICLE NUMBER Δ See colors	LUMINOUS FLUX	BRAND	OUTPUT POWER	COLOUR TEMPERATURE	CRI	SETTING	POWER FACTOR
4031. COB* .24.Δ	1100	Philips SLM G6	7W	827 / 830 / 835 / 840 / 850	>80	High Efficiency	>0,9
4031. COB* .24.Δ	1100	Philips SLM G6	8W	927 / 930	>90	High Efficiency	>0,9
4031. COB* .24.Δ	1100	Philips SLM G6	7W	830 Premium White	>80	High Efficiency	>0,9
4031. COB* .24.Δ	1100	Philips SLM G6	8W	930 / 935 / 940 Premium White	>90	High Efficiency	>0,9
4031. COB* .24.Δ	1100	Philips SLM G6	10W	930 Crisp White (930 CW)	>90	High Efficiency	>0,9
4031. COB* .24.Δ	1100	Philips SLM G6	11W	Food Warm White (FWW)	84	High Efficiency	>0,9
4031. COB* .24.Δ	1100	Philips SLM G6	11W	Food Premium Red (FPR)	88	High Efficiency	>0,9
4031. COB* .24.Δ	2000	Philips SLM G6	13W	827 / 830 / 835 / 840 / 850	>80	High Efficiency	>0,9
4031. COB* .24.Δ	2000	Philips SLM G6	17W	927 / 930	>90	High Efficiency	>0,9
4031. COB* .24.Δ	2000	Philips SLM G6	14W	830 Premium White	>80	High Efficiency	>0,9
4031. COB* .24.Δ	2000	Philips SLM G6	16W	930 / 935 / 940 Premium White	>90	High Efficiency	>0,9
4031. COB* .24.Δ	2000	Philips SLM G6	21W	930 Crisp White (930 CW)	>90	High Efficiency	>0,9
4031. COB* .24.Δ	2000	Philips SLM G6	23W	Food Warm White (FWW)	84	High Efficiency	>0,9
4031. COB* .24.Δ	2000	Philips SLM G6	22W	Food Premium Red (FPR)	88	High Efficiency	>0,9
4031. COB* .24.Δ	3000	Philips SLM G6	19W	827 / 830 / 835 / 840 / 850 / 857	>80	High Efficiency	>0,9
4031. COB* .24.Δ	3000	Philips SLM G6	26W	927 / 930	>90	High Efficiency	>0,9
4031. COB* .24.Δ	3000	Philips SLM G6	20W	830 Premium White	>80	High Efficiency	>0,9
4031. COB* .24.Δ	3000	Philips SLM G6	25W	930 / 935 / 940 Premium White	>90	High Efficiency	>0,9
4031. COB* .24.Δ	3000	Philips SLM G6	32W	930 Crisp White (930 CW)	>90	High Efficiency	>0,9
4031. COB* .24.Δ	3000	Philips SLM G6	39W	Food Warm White (FWW)	84	High Efficiency	>0,9
4031. COB* .24.Δ	3000	Philips SLM G6	37W	Food Premium Red (FPR)	88	High Efficiency	>0,9
4031. COB* .24.Δ	4500	Philips SLM G6	29W	827 / 830 / 835 / 840 / 850 / 857	>80	High Efficiency	>0,9
4031. COB* .24.Δ	4500	Philips SLM G6	38W	927 / 930	>90	High Efficiency	>0,9
4031. COB* .24.Δ	4500	Philips SLM G6	30W	830 Premium White	>80	High Efficiency	>0,9
4031. COB* .24.Δ	4500	Philips SLM G6	37W	930 / 935 / 940 Premium White	>90	High Efficiency	>0,9
4031. COB* .24.Δ	4500	Philips SLM G6	45W	930 Crisp White (930 CW)	>90	High Efficiency	>0,9
4031. COB* .24.Δ	4500	Philips SLM G6	46W	Food Warm White (FWW)	84	High Efficiency	>0,9
4031. COB* .24.Δ	4500	Philips SLM G6	46W	Food Premium Red (FPR)	88	High Efficiency	>0,9

High efficiency is the standard Keylight setting for all SLM G6 LED modules. For technical and warranty information regarding high efficiency, see last page of the catalogue. Standard system warranty is 5 years.

MOON 22



PRODUCT MATERIAL	Aluminium & ABS plastics
LIGHT SOURCE	SLM G6
MODULE LIFETIME	Approx. 50.000 hours
LED COOLING	Passive cooling
DRIVER DLM	Incl. standard xitanium driver.
COLORS	○ 3 = RAL 9003 white
BEAM ANGLE	58°
ADJUSTABLE	No
SIZE	219 X 135MM



OPTIONS

DIMMABLE	Dimmable DALI	€ 60,00
EMERGENCY BALLAST	0187.003.01. 1 hour	€ 180,00

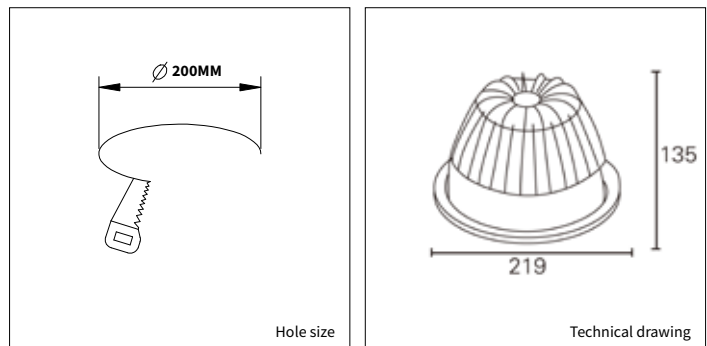
MOON 22

INFORMATION

WARRANTY	5 Years
-----------------	---------

Incl. 1.5m cable and plug.

Keylight International reserves the right to modify or change technical, construction or LED specifications due to continuous improvements of our products and light sources. The light source in this product can be replaced with an equivalent module made by Philips, Osram or Tridonic.



Hole size

Technical drawing

AVAILABLE SLM OPTIONS

To order the correct product, please replace **COB*** in the article number field with the COB code found on the last page of the catalogue

ARTICLE NUMBER Δ See colors	LUMINOUS FLUX	BRAND	OUTPUT POWER	COLOUR TEMPERATURE	CRI	SETTING	POWER FACTOR
4019. COB* .24.Δ	1100	Philips SLM G6	7W	827 / 830 / 835 / 840 / 850	>80	High Efficiency	>0,9
4019. COB* .24.Δ	1100	Philips SLM G6	8W	927 / 930	>90	High Efficiency	>0,9
4019. COB* .24.Δ	1100	Philips SLM G6	7W	830 Premium White	>80	High Efficiency	>0,9
4019. COB* .24.Δ	1100	Philips SLM G6	8W	930 / 935 / 940 Premium White	>90	High Efficiency	>0,9
4019. COB* .24.Δ	1100	Philips SLM G6	10W	930 Crisp White (930 CW)	>90	High Efficiency	>0,9
4019. COB* .24.Δ	1100	Philips SLM G6	11W	Food Warm White (FWW)	84	High Efficiency	>0,9
4019. COB* .24.Δ	1100	Philips SLM G6	11W	Food Premium Red (FPR)	88	High Efficiency	>0,9
4019. COB* .24.Δ	2000	Philips SLM G6	13W	827 / 830 / 835 / 840 / 850	>80	High Efficiency	>0,9
4019. COB* .24.Δ	2000	Philips SLM G6	17W	927 / 930	>90	High Efficiency	>0,9
4019. COB* .24.Δ	2000	Philips SLM G6	14W	830 Premium White	>80	High Efficiency	>0,9
4019. COB* .24.Δ	2000	Philips SLM G6	16W	930 / 935 / 940 Premium White	>90	High Efficiency	>0,9
4019. COB* .24.Δ	2000	Philips SLM G6	21W	930 Crisp White (930 CW)	>90	High Efficiency	>0,9
4019. COB* .24.Δ	2000	Philips SLM G6	23W	Food Warm White (FWW)	84	High Efficiency	>0,9
4019. COB* .24.Δ	2000	Philips SLM G6	22W	Food Premium Red (FPR)	88	High Efficiency	>0,9
4019. COB* .24.Δ	3000	Philips SLM G6	19W	827 / 830 / 835 / 840 / 850 / 857	>80	High Efficiency	>0,9
4019. COB* .24.Δ	3000	Philips SLM G6	26W	927 / 930	>90	High Efficiency	>0,9
4019. COB* .24.Δ	3000	Philips SLM G6	20W	830 Premium White	>80	High Efficiency	>0,9
4019. COB* .24.Δ	3000	Philips SLM G6	25W	930 / 935 / 940 Premium White	>90	High Efficiency	>0,9
4019. COB* .24.Δ	3000	Philips SLM G6	32W	930 Crisp White (930 CW)	>90	High Efficiency	>0,9
4019. COB* .24.Δ	3000	Philips SLM G6	39W	Food Warm White (FWW)	84	High Efficiency	>0,9
4019. COB* .24.Δ	3000	Philips SLM G6	37W	Food Premium Red (FPR)	88	High Efficiency	>0,9
4019. COB* .24.Δ	4500	Philips SLM G6	29W	827 / 830 / 835 / 840 / 850 / 857	>80	High Efficiency	>0,9
4019. COB* .24.Δ	4500	Philips SLM G6	38W	927 / 930	>90	High Efficiency	>0,9
4019. COB* .24.Δ	4500	Philips SLM G6	30W	830 Premium White	>80	High Efficiency	>0,9
4019. COB* .24.Δ	4500	Philips SLM G6	37W	930 / 935 / 940 Premium White	>90	High Efficiency	>0,9
4019. COB* .24.Δ	4500	Philips SLM G6	45W	930 Crisp White (930 CW)	>90	High Efficiency	>0,9
4019. COB* .24.Δ	4500	Philips SLM G6	46W	Food Warm White (FWW)	84	High Efficiency	>0,9
4019. COB* .24.Δ	4500	Philips SLM G6	46W	Food Premium Red (FPR)	88	High Efficiency	>0,9

High efficiency is the standard Keylight setting for all SLM G6 LED modules. For technical and warranty information regarding high efficiency, see last page of the catalogue. Standard system warranty is 5 years.



MOON SERIES



SOLAR 18

PRODUCT MATERIAL	Steel & aluminium
LIGHT SOURCE	DLM ES/DLM Flex
MODULE LIFETIME	50/60.000 hours
LED COOLING	Passive cooling
DRIVER DLM ES	Incl. integrated Driver
DRIVER DLM FLEX	Incl. standard Xitanium Driver
COLORS (Δ)	<ul style="list-style-type: none"> ○ 3 = RAL 9003 white ● 5 = RAL 9005 black ● 6 = RAL 9006 alu
BEAM ANGLE	
ADJUSTABLE	No
SIZE	189 X 120MM



OPTIONS

SOLAR 18

COLORS	Available in all RAL colours on request. Additional price + 10%		
DIMMABLE	Dimmable DALI - DLM Flex	€	60,00
EMERGENCY BALLAST	0187.003.1 1 hours DLM Flex	€	180,00
IP DIFFUSER	IP44 diffuser	On request	

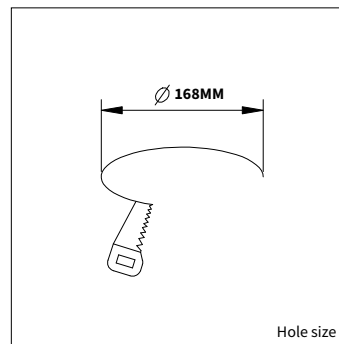
INFORMATION

WARRANTY	5 Years
-----------------	---------

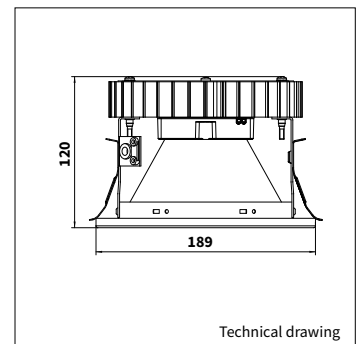
Δ = product color code. See colors

Solar 18 ECO is only available in RAL 9003 white.

Keylight International reserves the right to modify or change technical, construction or LED specifications due to continuous improvements of our products and lightsources. The light source in this product can be replaced with an equivalent module made by Philips, Osram or Tridonic.



Hole size



Technical drawing

FORTIMO DLM EASE SELECT G1 ECO

Different lumen output or wattages available on request

ART.NR.	LUMEN	PHILIPS FORTIMO DLM ES G1	HOUSING	LUMINOUS FLUX	MODULE EFFICIENCY	OUTPUT POWER	COLOUR TEMPERATURE	CRI	INPUT VOLTAGE	TC	POWER FACTOR	TC LIFETIME
Δ See colors												
4418.281.80.3	1100	FORTIMO DLM ES 830	Low	1080LM	114LM/W	10W	3000K	>80	230V	85°C	>0,9	50.000 Hrs
4418.282.80.3	1100	FORTIMO DLM ES 840	Low	1100LM	116LM/W	10W	4000K	>80	230V	85°C	>0,9	50.000 Hrs
4418.283.80.3	2000	FORTIMO DLM ES 830	Low	1930LM	110LM/W	18W	3000K	>80	230V	85°C	>0,9	50.000 Hrs
4418.284.80.3	2000	FORTIMO DLM ES 840	Low	2000LM	114LM/W	18W	4000K	>80	230V	85°C	>0,9	50.000 Hrs
4418.285.80.3	3000	FORTIMO DLM ES 830	Low	2850LM	108LM/W	26.5W	3000K	>80	230V	85°C	>0,9	50.000 Hrs
4418.286.80.3	3000	FORTIMO DLM ES 840	Low	3000LM	108LM/W	26.5W	4000K	>80	230V	85°C	>0,9	50.000 Hrs

FORTIMO DLM FLEX G2

Different lumen output or wattages available on request

ART.NR.	LUMEN	PHILIPS FORTIMO DLM G2	HOUSING	LUMINOUS FLUX	MODULE EFFICIENCY	OUTPUT POWER	COLOUR TEMPERATURE	CRI	INPUT VOLTAGE	TC	POWER FACTOR	TC LIFETIME
Δ See colors												
4418.101.80.Δ	1100	DLM FLEX 830 G2	Low	1075LM	115LM/W	9.8W	3000K	>80	34V	85°C	>0,9	60.000 Hrs
4418.102.80.Δ	1100	DLM FLEX 840 G2	Low	1075LM	127LM/W	8.6W	4000K	>80	34V	85°C	>0,9	60.000 Hrs
4418.103.80.Δ	2000	DLM FLEX 830 G2	Low	1954LM	113LM/W	17.6W	3000K	>80	34V	85°C	>0,9	60.000 Hrs
4418.104.80.Δ	2000	DLM FLEX 840 G2	Low	1954LM	125LM/W	16.0W	4000K	>80	34V	85°C	>0,9	60.000 Hrs
4418.105.80.Δ	3000	DLM FLEX 830 G2	Low	2931LM	115LM/W	26.8W	3000K	>80	34V	85°C	>0,9	60.000 Hrs
4418.106.80.Δ	3000	DLM FLEX 840 G2	Low	2931LM	127LM/W	23.4W	4000K	>80	34V	85°C	>0,9	60.000 Hrs

High efficiency is the standard Keylight setting for all DLM G2 LED modules. For technical and warranty information regarding high efficiency, see page 300. Standard system warranty is 5 years.



SOLAR 22

PRODUCT MATERIAL	Steel & aluminium
LIGHT SOURCE	DLM ES/DLM Flex
MODULE LIFETIME	50/60.000 hours
LED COOLING	Passive cooling
DRIVER DLM ES	Incl. integrated Driver
DRIVER DLM FLEX	Incl. standard Xitanium Driver
COLORS (Δ)	<ul style="list-style-type: none"> ○ 3 = RAL 9003 white ● 5 = RAL 9005 black ● 6 = RAL 9006 alu
BEAM ANGLE	
ADJUSTABLE	No
SIZE	220 X 143MM



OPTIONS

SOLAR 22

COLORS	Available in all RAL colours on request. Additional price + 10%		
DIMMABLE	Dimmable DALI - DLM Flex	€	60,00
EMERGENCY BALLAST	0187.003.1 1 hours DLM Flex	€	180,00
IP DIFFUSER	IP44 diffuser	On request	

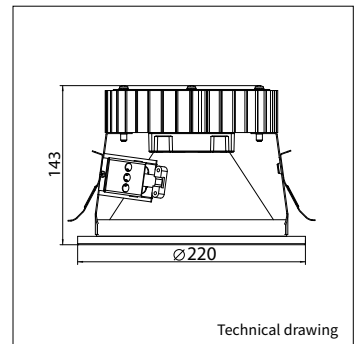
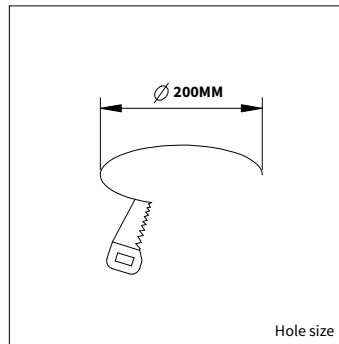
INFORMATION

WARRANTY	5 Years
-----------------	---------

Δ = product color code. See colors

Solar 22 ECO is only available in RAL 9003 white.

Keylight International reserves the right to modify or change technical, construction or LED specifications due to continuous improvements of our products and light sources. The light source in this product can be replaced with an equivalent module made by Philips, Osram or Tridonic.



FORTIMO DLM EASE SELECT G1 ECO

Different lumen output or wattages available on request

ART.NR.	LUMEN	PHILIPS FORTIMO DLM ES G1	HOUSING	LUMINOUS FLUX	MODULE EFFICIENCY	OUTPUT POWER	COLOUR TEMPERATURE	CRI	INPUT VOLTAGE	TC	POWER FACTOR	TC LIFETIME
Δ See colors												
4419.281.80.3	1100	FORTIMO DLM ES 830	Low	1080LM	114LM/W	10W	3000K	>80	230V	85°C	>0,9	50.000 Hrs
4419.282.80.3	1100	FORTIMO DLM ES 840	Low	1100LM	116LM/W	10W	4000K	>80	230V	85°C	>0,9	50.000 Hrs
4419.283.80.3	2000	FORTIMO DLM ES 830	Low	1930LM	110LM/W	18W	3000K	>80	230V	85°C	>0,9	50.000 Hrs
4419.284.80.3	2000	FORTIMO DLM ES 840	Low	2000LM	114LM/W	18W	4000K	>80	230V	85°C	>0,9	50.000 Hrs
4419.285.80.3	3000	FORTIMO DLM ES 830	Low	2850LM	108LM/W	26.5W	3000K	>80	230V	85°C	>0,9	50.000 Hrs
4419.286.80.3	3000	FORTIMO DLM ES 840	Low	3000LM	108LM/W	26.5W	4000K	>80	230V	85°C	>0,9	50.000 Hrs

FORTIMO DLM FLEX G2

Different lumen output or wattages available on request

ART.NR.	LUMEN	PHILIPS FORTIMO DLM G2	HOUSING	LUMINOUS FLUX	MODULE EFFICIENCY	OUTPUT POWER	COLOUR TEMPERATURE	CRI	INPUT VOLTAGE	TC	POWER FACTOR	TC LIFETIME
Δ See colors												
4419.101.80.Δ	1100	DLM FLEX 830 G2	Low	1075LM	115LM/W	9.8W	3000K	>80	34V	85°C	>0,9	60.000 Hrs
4419.102.80.Δ	1100	DLM FLEX 840 G2	Low	1075LM	127LM/W	8.6W	4000K	>80	34V	85°C	>0,9	60.000 Hrs
4419.103.80.Δ	2000	DLM FLEX 830 G2	Low	1954LM	113LM/W	17.6W	3000K	>80	34V	85°C	>0,9	60.000 Hrs
4419.104.80.Δ	2000	DLM FLEX 840 G2	Low	1954LM	125LM/W	16.0W	4000K	>80	34V	85°C	>0,9	60.000 Hrs
4419.105.80.Δ	3000	DLM FLEX 830 G2	Low	2931LM	115LM/W	26.8W	3000K	>80	34V	85°C	>0,9	60.000 Hrs
4419.106.80.Δ	3000	DLM FLEX 840 G2	Low	2931LM	127LM/W	23.4W	4000K	>80	34V	85°C	>0,9	60.000 Hrs

High efficiency is the standard Keylight setting for all DLM G2 LED modules. For technical and warranty information regarding high efficiency, see page 300. Standard system warranty is 5 years.

PLUTO 18



PRODUCT MATERIAL

Die-cast aluminium

LIGHT SOURCE

DLM Flex

MODULE LIFETIME

Approx. 60.000 hours

LED COOLING

Passive cooling

DRIVER DLM

Incl. standard xitanium driver.

COLORS (Δ)

- 5 = RAL 9005 black
- 6 = RAL 9006 alu

BEAM ANGLE



ADJUSTABLE

No

SIZE

170 X 161MM



OPTIONS

EMERGENCY BALLAST	0187.003.01 1 hour	€ 180,00
DIMMABLE	Dimmable DALI	€ 60,00

PLUTO 18

INFORMATION

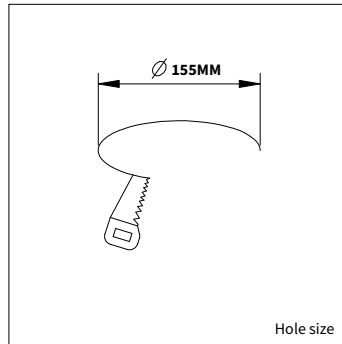
WARRANTY	5 Years.
----------	----------

Δ = product color code. See colors

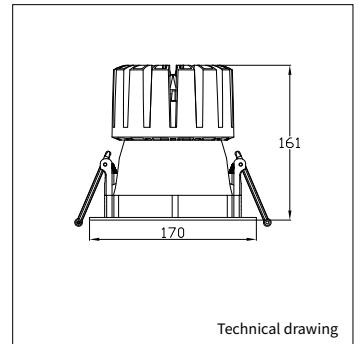
Incl. 1.5m cable and plug.

High Housing

Keylight International reserves the right to modify or change technical, construction or LED specifications due to continuous improvements of our products and light sources. The light source in this product can be replaced with an equivalent module made by Philips, Osram or Tridonic.



Hole size



Technical drawing

FORTIMO DLM FLEX G2

Different lumen output or wattages available on request

ART.NR.	LUMEN	PHILIPS FORTIMO DLM G2	HOUSING	LUMINOUS FLUX	MODULE EFFICIENCY	OUTPUT POWER	COLOUR TEMPERATURE	CRI	INPUT VOLTAGE	TC	POWER FACTOR	TC LIFETIME
4163.101.60.Δ	1100	DLM FLEX 840 G2	High	1074LM	93 LM/W	11.7 W	3000K	>80	35V	85°C	>0,9	60.000 Hrs
4163.102.60.Δ	1100	DLM FLEX 840 G2	High	1075LM	104 LM/W	10.5 W	4000K	>80	35V	85°C	>0,9	60.000 Hrs
4163.103.60.Δ	2000	DLM FLEX 840 G2	High	2000LM	91 LM/W	22 W	3000K	>80	35V	85°C	>0,9	60.000 Hrs
4163.104.60.Δ	2000	DLM FLEX 840 G2	High	2000LM	102 LM/W	19.5 W	4000K	>80	35V	85°C	>0,9	60.000 Hrs
4163.105.60.Δ	3000	DLM FLEX 840 G2	High	3000LM	94 LM/W	32 W	3000K	>80	35V	85°C	>0,9	60.000 Hrs
4163.106.60.Δ	3000	DLM FLEX 840 G2	High	3000LM	105 LM/W	28.5 W	4000K	>80	35V	85°C	>0,9	60.000 Hrs

Δ See colors

High efficiency is the standard Keylight setting for all DLM G2 LED modules. For technical and warranty information regarding high efficiency, see page 300. Standard system warranty is 5 years.



PLUTO 20

PRODUCT MATERIAL	Die-cast aluminium
LIGHT SOURCE	DLM Flex
MODULE LIFETIME	Approx. 60.000 hours
LED COOLING	Passive cooling
DRIVER DLM	Incl. standard xitanium driver.
COLORS (Δ)	<ul style="list-style-type: none"> ○ 3 = RAL 9003 white ● 5 = RAL 9005 black ● 6 = RAL 9006 alu
BEAM ANGLE	
ADJUSTABLE	No
SIZE	197 X 165MM



OPTIONS

EMERGENCY BALLAST	0187.003.00 1 hour	€ 180,00
DIMMABLE	Dimmable DALI	€ 60,00

PLUTO 20

INFORMATION

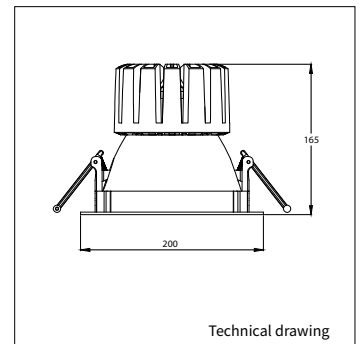
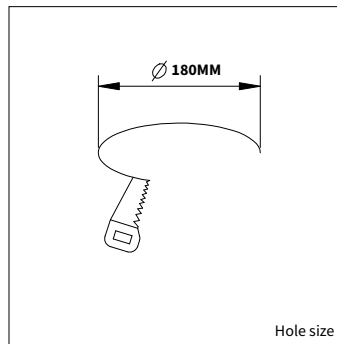
WARRANTY	5 Years.
-----------------	----------

Δ = product color code. See colors

Incl. 1.5m cable and plug.

High Housing

Keylight International reserves the right to modify or change technical, construction or LED specifications due to continuous improvements of our products and lightsources. The light source in this product can be replaced with an equivalent module made by Philips, Osram or Tridonic.



FORTIMO DLM FLEX G2

Different lumen output or wattages available on request

ART.NR.	LUMEN	PHILIPS FORTIMO DLM G2	HOUSING	LUMINOUS FLUX	MODULE EFFICIENCY	OUTPUT POWER	COLOUR TEMPERATURE	CRI	INPUT VOLTAGE	TC	POWER FACTOR	TC LIFETIME
4175.101.60.Δ	1100	DLM FLEX 840 G2	High	1074LM	93 LM/W	11.7 W	3000K	>80	35V	85°C	>0,9	60.000 Hrs
4175.102.60.Δ	1100	DLM FLEX 840 G2	High	1075LM	104 LM/W	10.5 W	4000K	>80	35V	85°C	>0,9	60.000 Hrs
4175.103.60.Δ	2000	DLM FLEX 840 G2	High	2000LM	91 LM/W	22 W	3000K	>80	35V	85°C	>0,9	60.000 Hrs
4175.104.60.Δ	2000	DLM FLEX 840 G2	High	2000LM	102 LM/W	19.5 W	4000K	>80	35V	85°C	>0,9	60.000 Hrs
4175.105.60.Δ	3000	DLM FLEX 840 G2	High	3000LM	94 LM/W	32 W	3000K	>80	35V	85°C	>0,9	60.000 Hrs
4175.106.60.Δ	3000	DLM FLEX 840 G2	High	3000LM	105 LM/W	28.5 W	4000K	>80	35V	85°C	>0,9	60.000 Hrs

Δ See colors

High efficiency is the standard Keylight setting for all DLM G2 LED modules. For technical and warranty information regarding high efficiency, see page 300. Standard system warranty is 5 years.



PRODUCT MATERIAL	Die-cast aluminium
LIGHT SOURCE	DLM ES/DLM Flex
MODULE LIFETIME	50/60.000 hours
LED COOLING	Passive cooling
DRIVER DLM ES	Incl. integrated Driver
DRIVER DLM FLEX	Incl. standard Xitanium Driver
COLORS (Δ)	○ 3 = RAL 9003 white
BEAM ANGLE	60°
ADJUSTABLE	No
SIZE	192 X 160MM



OPTIONS

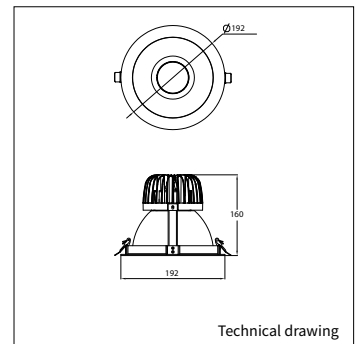
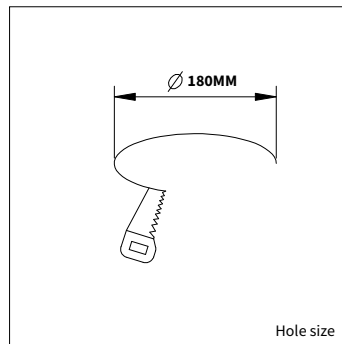
DIMMABLE	Dimmable DALI - DLM Flex	€ 60,00
EMERGENCY BALLAST	0187.003.1 1 hours DLM Flex	€ 180,00

INFORMATION

WARRANTY	5 Years
-----------------	---------

Δ = product color code. See colors

Keylight International reserves the right to modify or change technical, construction or LED specifications due to continuous improvements of our products and light sources. The light source in this product can be replaced with an equivalent module made by Philips, Osram or Tridonic.



SUN

FORTIMO DLM EASE SELECT G1

Different lumen output or wattages available on request

ART.NR.	LUMEN	PHILIPS FORTIMO DLM ES G1	HOUSING	LUMINOUS FLUX	MODULE EFFICIENCY	OUTPUT POWER	COLOUR TEMPERATURE	CRI	INPUT VOLTAGE	TC	POWER FACTOR	TC LIFETIME
Δ See colors												
4030.281.60Δ	1100	FORTIMO DLM ES 830	Low	1080LM	114LM/W	10W	3000K	>80	230V	85°C	>0,9	50.000 Hrs
4030.282.60Δ	1100	FORTIMO DLM ES 840	Low	1100LM	116LM/W	10W	4000K	>80	230V	85°C	>0,9	50.000 Hrs
4030.283.60Δ	2000	FORTIMO DLM ES 830	Low	1930LM	110LM/W	18W	3000K	>80	230V	85°C	>0,9	50.000 Hrs
4030.284.60Δ	2000	FORTIMO DLM ES 840	Low	2000LM	114LM/W	18W	4000K	>80	230V	85°C	>0,9	50.000 Hrs
4030.285.60Δ	3000	FORTIMO DLM ES 830	Low	2850LM	108LM/W	26.5W	3000K	>80	230V	85°C	>0,9	50.000 Hrs
4030.286.60Δ	3000	FORTIMO DLM ES 840	Low	3000LM	108LM/W	26.5W	4000K	>80	230V	85°C	>0,9	50.000 Hrs

FORTIMO DLM FLEX G2

Different lumen output or wattages available on request

ART.NR.	LUMEN	PHILIPS FORTIMO DLM G2	HOUSING	LUMINOUS FLUX	MODULE EFFICIENCY	OUTPUT POWER	COLOUR TEMPERATURE	CRI	INPUT VOLTAGE	TC	POWER FACTOR	TC LIFETIME
Δ See colors												
4030.101.60Δ	1100	DLM FLEX 830 G2	Low	1075LM	115LM/W	9.8W	3000K	>80	34V	85°C	>0,9	60.000 Hrs
4030.102.60Δ	1100	DLM FLEX 840 G2	Low	1075LM	127LM/W	8.6W	4000K	>80	34V	85°C	>0,9	60.000 Hrs
4030.103.60Δ	2000	DLM FLEX 830 G2	Low	1954LM	113LM/W	17.6W	3000K	>80	34V	85°C	>0,9	60.000 Hrs
4030.104.60Δ	2000	DLM FLEX 840 G2	Low	1954LM	125LM/W	16.0W	4000K	>80	34V	85°C	>0,9	60.000 Hrs
4030.105.60Δ	3000	DLM FLEX 830 G2	Low	2931LM	115LM/W	26.8W	3000K	>80	34V	85°C	>0,9	60.000 Hrs
4030.106.60Δ	3000	DLM FLEX 840 G2	Low	2931LM	127LM/W	23.4W	4000K	>80	34V	85°C	>0,9	60.000 Hrs

High efficiency is the standard Keylight setting for all DLM G2 LED modules. For technical and warranty information regarding high efficiency, see page 300. Standard system warranty is 5 years.



MOON 27

PRODUCT MATERIAL	Aluminium & ABS plastics
LIGHT SOURCE	DLM Flex
MODULE LIFETIME	Approx. 60.000 hours
LED COOLING	Passive cooling
DRIVER DLM	Incl. standard xitanium driver.
COLORS	○ 3 = RAL 9003 white
BEAM ANGLE	70°
ADJUSTABLE	No
SIZE	270 X 178MM



OPTIONS

DIMMABLE	Dimmable DALI	€ 60,00
EMERGENCY BALLAST	0187.003.1 1 hours	€ 180,00

MOON 27

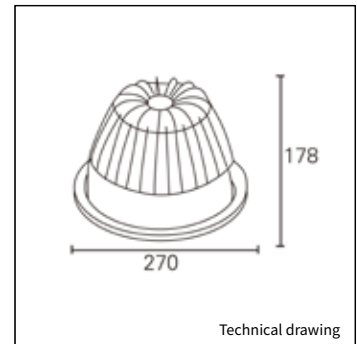
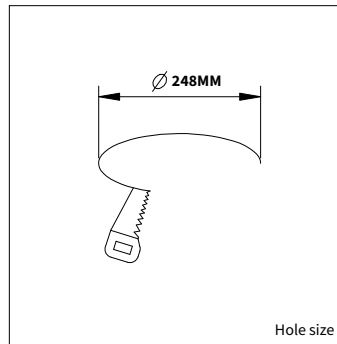
INFORMATION

WARRANTY	5 Years
-----------------	---------

Incl. 1.5m cable and plug.

High Housing

Keylight International reserves the right to modify or change technical, construction or LED specifications due to continuous improvements of our products and lightsources. The light source in this product can be replaced with an equivalent module made by Philips, Osram or Tridonic.



FORTIMO DLM FLEX G2

Different lumen output or wattages available on request

ART.NR.	LUMEN	PHILIPS FORTIMO DLM G2	HOUSING	LUMINOUS FLUX	MODULE EFFICIENCY	OUTPUT POWER	COLOUR TEMPERATURE	CRI	INPUT VOLTAGE	TC	POWER FACTOR	TC LIFETIME
4027.101.70.3	1100	DLM FLEX 840 G2	High	1074LM	93 LM/W	11.7 W	3000K	>80	35V	85°C	>0,9	60.000 Hrs
4027.102.70.3	1100	DLM FLEX 840 G2	High	1075LM	104 LM/W	10.5 W	4000K	>80	35V	85°C	>0,9	60.000 Hrs
4027.103.70.3	2000	DLM FLEX 840 G2	High	2000LM	91 LM/W	22 W	3000K	>80	35V	85°C	>0,9	60.000 Hrs
4027.104.70.3	2000	DLM FLEX 840 G2	High	2000LM	102 LM/W	19.5 W	4000K	>80	35V	85°C	>0,9	60.000 Hrs
4027.105.70.3	3000	DLM FLEX 840 G2	High	3000LM	94 LM/W	32 W	3000K	>80	35V	85°C	>0,9	60.000 Hrs
4027.106.70.3	3000	DLM FLEX 840 G2	High	3000LM	105 LM/W	28.5 W	4000K	>80	35V	85°C	>0,9	60.000 Hrs

High efficiency is the standard Keylight setting for all DLM G2 LED modules. For technical and warranty information regarding high efficiency, see page 300. Standard system warranty is 5 years.

STAR 18 / 28



PRODUCT MATERIAL	Die-cast aluminium
LIGHT SOURCE	LED
MODULE LIFETIME	Approx. 30.000 hours
LED COOLING	Passive cooling
DRIVER	Incl. driver.
COLORS (Δ)	○ 3 = RAL 9003 white
BEAM ANGLE	120°
ADJUSTABLE	No
SIZE STAR 18	178 X 17MM
SIZE STAR 28	237 X 17MM



OPTIONS

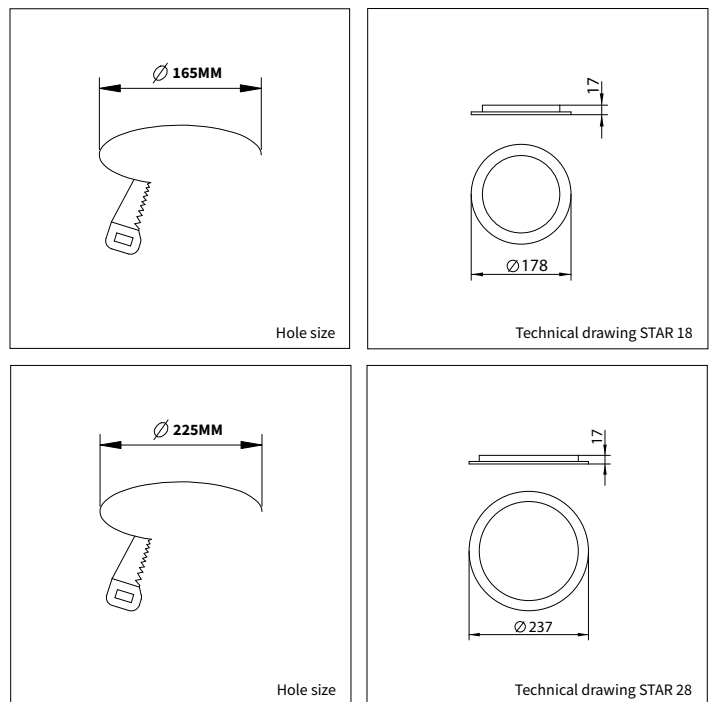
COLORS	White
---------------	-------

INFORMATION

Δ = product color code. See colors

Keylight International reserves the right to modify or change technical, construction or LED specifications due to continuous improvements of our products and lightsources.

STAR 18 / 28



ART.NR.	LAMP TYPE	BRAND	LUMINOUS FLUX	OUTPUT POWER	MODULE EFFICIENCY	COLOUR TEMPERATURE	CRI	TC LIFETIME	POWER FACTOR
STAR 18									
4178.910.91.3	LED	TW	800LM	13W	60LM/W	3000K	>80	35.000 Hrs	>09,
4178.911.91.3	LED	TW	800LM	13W	60LM/W	4000K	>80	35.000 Hrs	>09,
STAR 28									
4237.910.91.3	LED	TW	1500LM	20W	75LM/W	3000K	>80	30.000 Hrs	>09,
4237.911.91.3	LED	TW	1500LM	20W	75LM/W	4000K	>80	30.000 Hrs	>09,



AUSTIN 32

PRODUCT MATERIAL	Steel and Alu
LIGHT SOURCE	Philips LED Module
MODULE LIFETIME	Approx. 50.000 hours
LED COOLING	Passive cooling
DRIVER	Incl. Xitanium driver.
COLORS	<ul style="list-style-type: none"> ○ 3 = RAL 9003 white ● 5 = RAL 9005 black ● 6 = RAL 9006 alu
DIFFUSER	Opal
ADJUSTABLE	Yes
SIZE	320 X 97MM



OPTIONS

COLORS	Available in all RAL colours on request	
	Additional price + 10%	
DIMMABLE	Dimmable DALI	€ 60,00
RECESSED RING*	Semi-recessed ring	€ 45,00

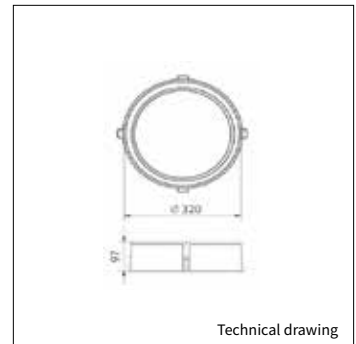
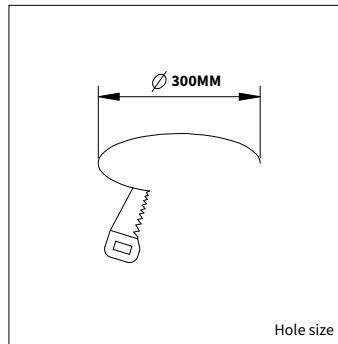
AUSTIN 32

INFORMATION

Δ see colors

* This luminaire is also available with an additional ring which turns the luminaire into a semi recessed housing. The opal diffuser can be mounted on 2 different levels, flat recessed or semi-recessed.

Keylight International reserves the right to modify or change technical, construction or LED specifications due to continuous improvements of our products and light sources. The light source in this product can be replaced with an equivalent module made by Philips, Osram or Tridonic.



ART.NR.	LAMP TYPE	BRAND	LUMINOUS FLUX	OUTPUT POWER	MODULE EFFICIENCY	COLOUR TEMPERATURE	CRI	TC LIFETIME	POWER FACTOR
Δ see color									
4032.181.91Δ	LED Plate	Philips	2300LM	21W	110LM/W	3000K	>80	50.000 Hrs	>09,
4032.182.91Δ	LED Plate	Philips	2500LM	21W	120LM/W	4000K	>80	50.000 Hrs	>09,



PRODUCT MATERIAL

Steel and Alu

LIGHT SOURCE

Philips LED Module

MODULE LIFETIME

Approx. 50.000 hours

LED COOLING

Passive cooling

DRIVER

Incl. Xitanium driver.

COLORS

- 3 = RAL 9003 white
- 5 = RAL 9005 black
- 6 = RAL 9006 alu

DIFFUSER

Opal

ADJUSTABLE

Yes

SIZE

483 X 162MM



OPTIONS

COLORS	Available in all RAL colours on request Additional price + 10%		
EMERGENCY BALLAST	0187.003.1	1 hours	€ 180,00
DIMMABLE	Dimmable DALI		€ 60,00
RECESSED RING*	Semi-recessed ring		€ 45,00

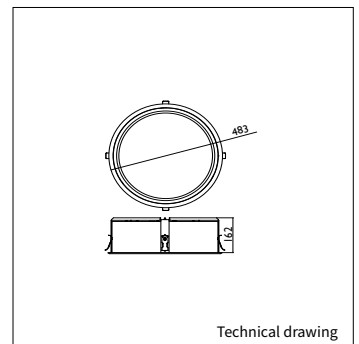
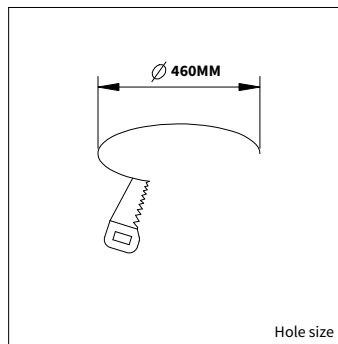
INFORMATION

Δ see colors

* This luminaire is also available with an additional ring which turns the luminaire into a semi recessed housing. The opal diffuser can be mounted on 2 different levels, flat recessed or semi-recessed.

Keylight International reserves the right to modify or change technical, construction or LED specifications due to continuous improvements of our products and light sources. The light source in this product can be replaced with an equivalent module made by Philips, Osram or Tridonic.

AUSTIN 48



ART.NR.	LAMP TYPE	BRAND	LUMINOUS FLUX	OUTPUT POWER	MODULE EFFICIENCY	COLOUR TEMPERATURE	CRI	TC LIFETIME	POWER FACTOR
Δ see color									
4034.183.91Δ	LED Plate	Philips	3900LM	29W	134LM/W	3000K	>80	50.000 Hrs	>09,
4034.184.91Δ	LED Plate	Philips	4000LM	29W	138LM/W	4000K	>80	50.000 Hrs	>09,



AUSTIN 58

PRODUCT MATERIAL	Steel and Alu
LIGHT SOURCE	Philips LED Module
MODULE LIFETIME	Approx. 50.000 hours
LED COOLING	Passive cooling
DRIVER	Incl. Xitanium driver.
COLORS	<ul style="list-style-type: none"> ○ 3 = RAL 9003 white ● 5 = RAL 9005 black ● 6 = RAL 9006 alu
DIFFUSER	Opal
ADJUSTABLE	Yes
SIZE	583 X 162MM



OPTIONS

COLORS	Available in all RAL colours on request		
	Additional price + 10%		
EMERGENCY BALLAST	0187.003.1	1 hours	€ 180,00
DIMMABLE	Dimmable DALI		€ 60,00
RECESSED RING*	Semi-recessed ring		€ 45,00

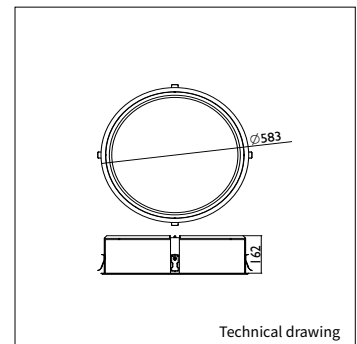
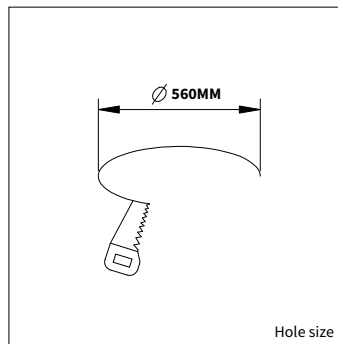
INFORMATION

Δ see colors

* This luminaire is also available with an additional ring which turns the luminaire into a semi recessed housing. The opal diffuser can be mounted on 3 different levels, flat recessed or semi-recessed.

Keylight International reserves the right to modify or change technical, construction or LED specifications due to continuous improvements of our products and light sources. The light source in this product can be replaced with an equivalent module made by Philips, Osram or Tridonic.

AUSTIN 58



ART.NR.	LAMP TYPE	BRAND	LUMINOUS FLUX	OUTPUT POWER	MODULE EFFICIENCY	COLOUR TEMPERATURE	CRI	TC LIFETIME	POWER FACTOR
Δ see color									
4033.183.91Δ	LED Plate	Philips	3900LM	29W	134LM/W	3000K	>80	50.000 Hrs	>09,
4033.184.91Δ	LED Plate	Philips	4000LM	29W	138LM/W	4000K	>80	50.000 Hrs	>09,
4033.185.91Δ	LED Plate	Philips	5200LM	37W	140LM/W	3000K	>80	50.000 Hrs	>09,
4033.186.91Δ	LED Plate	Philips	5200LM	37W	140LM/W	4000K	>80	50.000 Hrs	>09,

RECESSED SQUARE







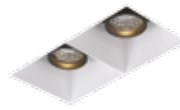
GHIBLI S
PAGE 78



GHIBLI S2
PAGE 79



GHIBLI S TRIM
PAGE 80



GHIBLI S2 TRIM
PAGE 81



ALPHA S
PAGE 82



SKY 1
PAGE 86



SKY 3
PAGE 87



SKY 10
PAGE 88



SKY 4 SQ
PAGE 89



TRIMLESS 9-1
PAGE 90



TRIMLESS 10-1
PAGE 94



TRIMLESS 10-2
PAGE 95



TRIMLESS 11
PAGE 96



TRIMLESS 21
PAGE 97



QUASAR 10-1
PAGE 98



BASIC 13
PAGE 104



BASIC 17
PAGE 105



THUNDER 1
PAGE 106



THUNDER 2
PAGE 107



LUXX 1 AC
PAGE 108



POXY 1
PAGE 112



POXY 2
PAGE 113



FOX
PAGE 114



LENNOX
PAGE 115



QUAD 18
PAGE 116

INTERIOR RECESSED SQUARE



SPECTRA S
PAGE 83



STELLAR 1
PAGE 84



STELLAR 2
PAGE 85



TRIMLESS 9-2
PAGE 91



TRIMLESS RM 1
PAGE 92



TRIMLESS RM 2
PAGE 93



QUASAR 10-2
PAGE 99



QUASAR 12-1
PAGE 100



NITRO 10 + NITRO 13
PAGE 102 - 103



LUXX 2 AC
PAGE 109



LUXX 1
PAGE 110



LUXX 2
PAGE 111



BODY 30
PAGE 117



INSERT 60 LED
PAGE 118



INSERT FLAT
PAGE 119

ALPHA S	PAGE 82
BASIC 13	PAGE 104
BASIC 17	PAGE 105
BODY 30	PAGE 117
FOX	PAGE 114
GHIBLI S	PAGE 78
GHIBLI S TRIM	PAGE 79
GHIBLI S2	PAGE 80
GHIBLI S2 TRIM	PAGE 81
INSERT 60 LED	PAGE 119
LENNOX	PAGE 115
LUXX 1	PAGE 110
LUXX 1 AC	PAGE 108
LUXX 2 AC	PAGE 109
LUXX 2	PAGE 111
NITRO 10 + NITRO 13	PAGE 102 - 103
POXY 1	PAGE 112
POXY 2	PAGE 113
QUAD 18	PAGE 116
QUASAR 10-1	PAGE 98
QUASAR 10-2	PAGE 99
QUASAR 12-1	PAGE 100
SKY 1	PAGE 86
SKY 10	PAGE 88
SKY 3	PAGE 87
SKY 4 SQ	PAGE 89
SPECTRA S	PAGE 83
STELLAR 1	PAGE 84
STELLAR 2	PAGE 85
THUNDER 1	PAGE 106
THUNDER 2	PAGE
TRIMLESS 10-1	PAGE 107
TRIMLESS 10-2	PAGE 94
TRIMLESS 11	PAGE 95
TRIMLESS 21	PAGE 97
TRIMLESS 9-1	PAGE 90
TRIMLESS 9-2	PAGE 91
TRIMLESS RM 1	PAGE 92
TRIMLESS RM 2	PAGE 93



GHIBLI S

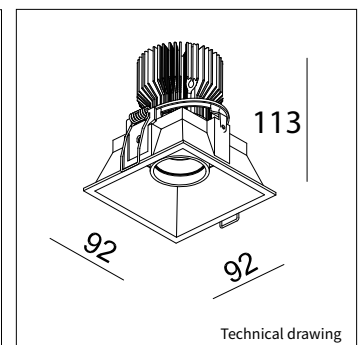
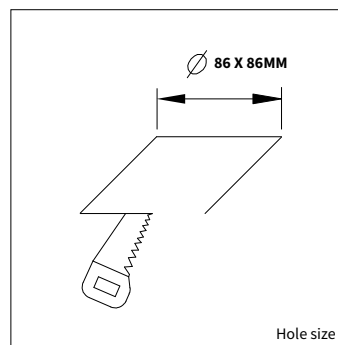
PRODUCT MATERIAL	Die-cast aluminium
LIGHT SOURCE	Bridgelux V8
DRIVER	Including driver
COLORS	<ul style="list-style-type: none"> ● 35 = RAL 9003 white + black ● 5 = RAL 9005 black ● 7 = RAL 9037 grey
BEAM ANGLE	22°
ADJUSTABLE	Yes - 0-20° - 360°
SIZE	92 X 92 X 113MM



OPTIONS

OPTIONAL BEAM ANGLE	36° art. no.: 4912.999.38.9	€ 5,00
REFLECTOR RING	White reflector ring art. no.: 4912.922.99.3	€ 9,50
	Black reflector ring art. no.: 4912.922.99.5	€ 9,50
	Gold reflector ring art. no.: 4912.922.99.9	€ 9,50
	GLASS	Transparent art. no.: 4912.933.99.0
	Honey Comb art. no.: 4912.933.94.0	€ 7,50
	Frosted art. no.: 4912.933.90.0	€ 7,50
	Striped art. no.: 4912.933.96.0	€ 7,50
DIMMABLE DRIVERS 350mA <small>IN COMBINATION WITH THIS LUMINAIRE. ADDITIONAL PRICE.</small>	1/10v Dimmable 350mA 10W art. no.: 0110.350.10.1	€ 29,50
	Phase-cut Dimmable 350mA 10W art. no.: 0110.350.10.1	€ 29,50
	Dimmable DALI 350mA 18W art. no.: 0118.350.75.0	€ 55,00
DIMMABLE DRIVERS 500mA <small>IN COMBINATION WITH THIS LUMINAIRE. ADDITIONAL PRICE.</small>	1/10v Dimmable 500mA 10W art. no.: 0110.500.10.1	€ 29,50
	Phase-cut Dimmable 500mA 10W art. no.: 0110.500.10.1	€ 29,50
	Dimmable DALI 500mA 18W art. no.: 0118.500.75.0	€ 55,00

GHIBLI S



Reflector rings



Transparent Striped Frosted Honeycomb

INFORMATION

Including cable and plug

Standard with black reflector ring

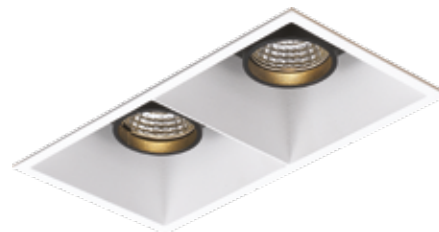
Keylight International reserves the right to modify or change technical, construction or LED specifications due to continuous improvements of our products and lightsources.

ART.NR.	LAMP TYPE	BRAND	LUMINOUS FLUX	OUTPUT POWER	MODULE EFFICIENCY	COLOUR TEMPERATURE	CRI	TC LIFETIME	mA
Δ see color									
4912.179.26.Δ	V8 LED	Bridgelux	550LM	6,2W	88LM/W	2700K	>90	50.000 Hrs	350
4912.180.26.Δ	V8 LED	Bridgelux	745LM	9,2W	81LM/W	2700K	>90	50.000 Hrs	500



GHIBLI S2

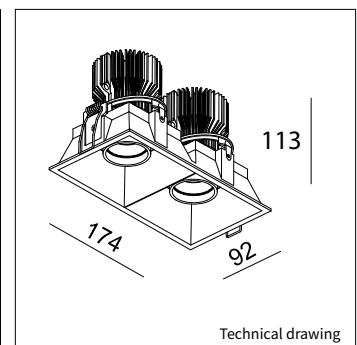
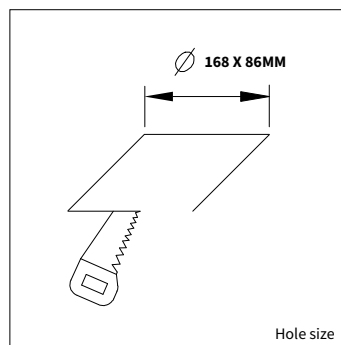
PRODUCT MATERIAL	Die-cast aluminium
LIGHT SOURCE	Bridgelux V8
DRIVER	Including driver
COLORS	<ul style="list-style-type: none"> ● 35 = RAL 9003 white + black ● 5 = RAL 9005 black ● 7 = RAL 9037 grey
BEAM ANGLE	22°
ADJUSTABLE	Yes - 0-20° - 360°
SIZE	174 X 92 X 113MM



OPTIONS

OPTIONAL BEAM ANGLE	<ul style="list-style-type: none"> 36° art. no.: 4912.999.38.9 € 10,00
REFLECTOR RING	<ul style="list-style-type: none"> White reflector ring art. no.: 4912.922.99.3 € 19,00 Black reflector ring art. no.: 4912.922.99.5 € 19,00 Gold reflector ring art. no.: 4912.922.99.9 € 19,00
GLASS	<ul style="list-style-type: none"> Transparent art. no.: 4912.933.99.0 € 15,00 Honey Comb art. no.: 4912.933.94.0 € 15,00 Frosted art. no.: 4912.933.90.0 € 15,00 Striped art. no.: 4912.933.96.0 € 15,00
DIMMABLE DRIVERS 350mA <small>IN COMBINATION WITH THIS LUMINAIRE. ADDITIONAL PRICE.</small>	<ul style="list-style-type: none"> 1/10v Dimmable 350mA 20W art. no.: 0137.110.20.0 € 63,00 Phase-cut Dimmable 350mA 18W art. no.: 0115.350.18.1 € 29,00 Dimmable DALI 350mA 18W art. no.: 0118.350.75.0 € 55,00
DIMMABLE DRIVERS 500mA <small>IN COMBINATION WITH THIS LUMINAIRE. ADDITIONAL PRICE.</small>	<ul style="list-style-type: none"> 1/10v Dimmable 500mA 20W art. no.: 0137.110.20.1 € 63,00 Phase-cut Dimmable 500mA 18W art. no.: 0115.500.18.0 € 29,50 Dimmable DALI 500mA 18W art. no.: 0118.500.75.0 € 55,00

GHIBLI S2



Reflector rings



Transparent Striped Frosted Honeycomb

INFORMATION

Including cable and plug

Standard with black reflector ring

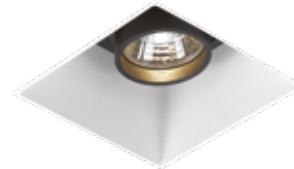
Keylight International reserves the right to modify or change technical, construction or LED specifications due to continuous improvements of our products and lightsources.

ART.NR.	LAMP TYPE	BRAND	LUMINOUS FLUX	OUTPUT POWER	MODULE EFFICIENCY	COLOUR TEMPERATURE	CRI	TC LIFETIME	mA
Δ see color									
4919.179.26.Δ	V8 LED	Bridgelux	2X 550	2x 6,2W	2X 88LM/W	2X 2700K	>90	2x 50.000 Hrs	2X 350
4919.180.26.Δ	V8 LED	Bridgelux	2X 745	2x 9,2W	2X 81LM/W	2X 2700K	>90	2x 50.000 Hrs	2X 500



GHIBLI S TRIMLESS

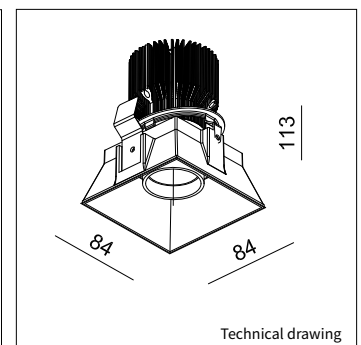
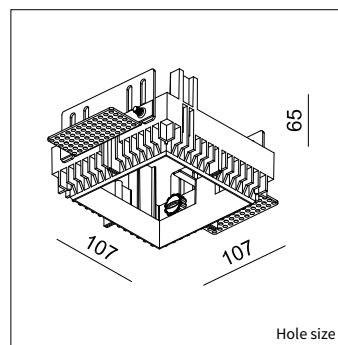
PRODUCT MATERIAL	Die-cast aluminium
LIGHT SOURCE	Bridgelux V8
DRIVER	Including driver
COLORS	<ul style="list-style-type: none"> ● 35 = RAL 9003 white + black ● 5 = RAL 9005 black ● 7 = RAL 9037 grey
BEAM ANGLE	
ADJUSTABLE	Yes - 0-20° - 360°
SIZE	84 X 84 X 113MM



OPTIONS

OPTIONAL BEAM ANGLE	 art. no.: 4912.999.38.9	€ 5,00
REFLECTOR RING	White reflector ring art. no.: 4912.922.99.3	€ 9,50
	Black reflector ring art. no.: 4912.922.99.5	€ 9,50
	Gold reflector ring art. no.: 4912.922.99.9	€ 9,50
GLASS	Transparent art. no.: 4912.933.99.0	€ 7,50
	Honey Comb art. no.: 4912.933.94.0	€ 7,50
	Frosted art. no.: 4912.933.90.0	€ 7,50
	Striped art. no.: 4912.933.96.0	€ 7,50
DIMMABLE DRIVERS 350mA <small>IN COMBINATION WITH THIS LUMINAIRE. ADDITIONAL PRICE.</small>	1/10v Dimmable 350mA 10W art. no.: 0110.350.10.1	€ 29,50
	Phase-cut Dimmable 350mA 10W art. no.: 0110.350.10.1	€ 29,50
	Dimmable DALI 350mA 18W art. no.: 0118.350.75.0	€ 55,00
DIMMABLE DRIVERS 500mA <small>IN COMBINATION WITH THIS LUMINAIRE. ADDITIONAL PRICE.</small>	1/10v Dimmable 500mA 10W art. no.: 0110.500.10.1	€ 29,50
	Phase-cut Dimmable 500mA 10W art. no.: 0110.500.10.1	€ 29,50
	Dimmable DALI 500mA 18W art. no.: 0118.500.75.0	€ 55,00

GHIBLI S TRIMLESS



Reflector rings



Transparent Striped Frosted Honeycomb

INFORMATION

Including cable and plug

Including an easy mounting plasterkit.

Standard with black reflector ring

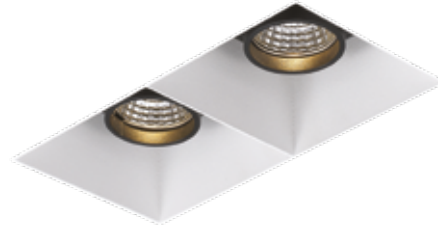
Keylight International reserves the right to modify or change technical, construction or LED specifications due to continuous improvements of our products and lightsources.

ART.NR.	LAMP TYPE	BRAND	LUMINOUS FLUX	OUTPUT POWER	MODULE EFFICIENCY	COLOUR TEMPERATURE	CRI	TC LIFETIME	mA
Δ see color									
4913.179.26.Δ	V8 LED	Bridgelux	550LM	6,2W	88LM/W	2700K	>90	50.000 Hrs	350
4913.180.26.Δ	V8 LED	Bridgelux	745LM	9,2W	81LM/W	2700K	>90	50.000 Hrs	500



GHIBLI S2 TRIMLESS

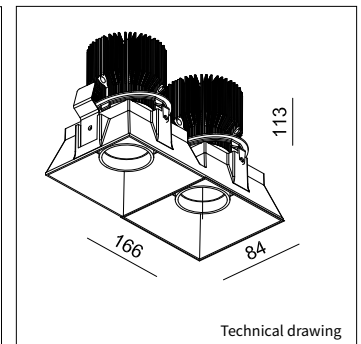
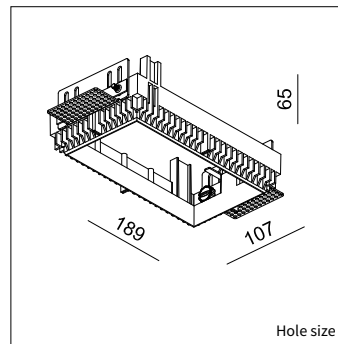
PRODUCT MATERIAL	Die-cast aluminium
LIGHT SOURCE	Bridgelux V8
DRIVER	Including driver
COLORS	<ul style="list-style-type: none"> ● 35 = RAL 9003 white + black ● 5 = RAL 9005 black ● 7 = RAL 9037 grey
BEAM ANGLE	22°
ADJUSTABLE	Yes - 0-20° - 360°
SIZE	166 X 84 X 113MM



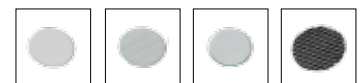
OPTIONS

OPTIONAL BEAM ANGLE	36°	€ 10,00
REFLECTOR RING	art. no.: 4912.999.38.9 White reflector ring	€ 19,00
	art. no.: 4912.922.99.3 Black reflector ring	€ 19,00
	art. no.: 4912.922.99.5 Gold reflector ring	€ 19,00
	art. no.: 4912.922.99.9 Frosted	€ 15,00
GLASS	Transparent	€ 15,00
	art. no.: 4912.933.99.0 Honey Comb	€ 15,00
	art. no.: 4912.933.94.0 Frosted	€ 15,00
	art. no.: 4912.933.90.0 Striped	€ 15,00
DIMMABLE DRIVERS 350mA <i>IN COMBINATION WITH THIS LUMINAIRE. ADDITIONAL PRICE.</i>	1/10v Dimmable 350mA 20W art. no.: 0137.110.20.0	€ 63,00
	Phase-cut Dimmable 350mA 18W art. no.: 0115.350.18.1	€ 29,00
	Dimmable DALI 350mA 18W art. no.: 0118.350.75.0	€ 55,00
DIMMABLE DRIVERS 500mA <i>IN COMBINATION WITH THIS LUMINAIRE. ADDITIONAL PRICE.</i>	1/10v Dimmable 500mA 20W art. no.: 0137.110.20.1	€ 63,00
	Phase-cut Dimmable 500mA 18W art. no.: 0115.500.18.0	€ 29,50
	Dimmable DALI 500mA 18W art. no.: 0118.500.75.0	€ 55,00

GHIBLI S2 TRIMLESS



Reflector rings



Transparent Striped Frosted Honeycomb

INFORMATION

Including cable and plug

Including an easy mounting plasterkit.

Standard with black reflector ring

Keylight International reserves the right to modify or change technical, construction or LED specifications due to continuous improvements of our products and lightsources.

ART.NR.	LAMP TYPE	BRAND	LUMINOUS FLUX	OUTPUT POWER	MODULE EFFICIENCY	COLOUR TEMPERATURE	CRI	TC LIFETIME	mA
Δ see color									
4914.179.26.Δ	V8 LED	Bridgelux	2X 550	2x 6,2W	2X 88LM/W	2X 2700K	>90	2x 50.000 Hrs	2X 350
4914.180.26.Δ	V8 LED	Bridgelux	2X 745	2x 9,2W	2X 81LM/W	2X 2700K	>90	2x 50.000 Hrs	2X 500



PRODUCT MATERIAL	Die-cast aluminium
LIGHT SOURCE	Bridgelux V8
MODULE LIFETIME	Approx. 35.000 hours
LED COOLING	Passive cooling
COLORS	See ring options
BEAM ANGLE	33°
ADJUSTABLE	No
SIZE	83 X 74MM



OPTIONS

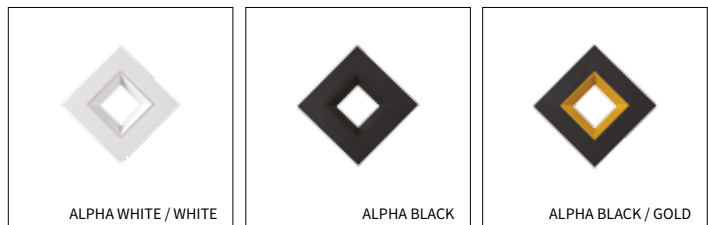
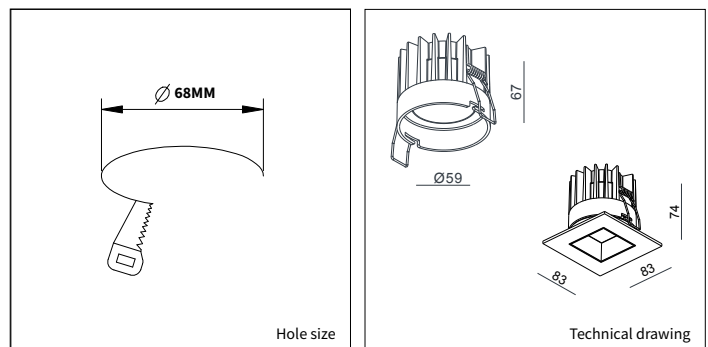
DIMMABLE DRIVERS 350mA <small>IN COMBINATION WITH THIS LUMINAIRE. ADDITIONAL PRICE.</small>	1/10v Dimmable 350mA 10W art. no.: 0110.350.10.1	€ 29,50
	Phase-cut Dimmable 350mA 10W art. no.: 0110.350.10.1	€ 29,50
	Dimmable DALI 350mA 18W art. no.: 0118.350.75.0	€ 55,00
DIMMABLE DRIVERS 500mA <small>IN COMBINATION WITH THIS LUMINAIRE. ADDITIONAL PRICE.</small>	1/10v Dimmable 500mA 10W art. no.: 0110.500.10.1	€ 29,50
	Phase-cut Dimmable 500mA 10W art. no.: 0110.500.10.1	€ 29,50
	Dimmable DALI 500mA 18W art. no.: 0118.500.75.0	€ 55,00

INFORMATION

Incl. cable and plug.

Keylight International reserves the right to modify or change technical, construction or LED specifications due to continuous improvements of our products and lightsources.

ALPHA S WHITE / BLACK

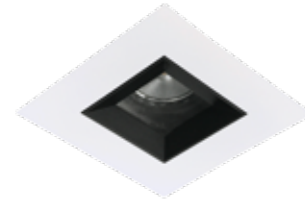


ART.NR.	COLOR	LAMP TYPE	BRAND	LUMINOUS FLUX	OUTPUT POWER	MODULE EFFICIENCY	COLOUR TEMPERATURE	CRI	TC LIFETIME	mA
5107.996.35.3	○ White	V8	Bridgelux	550LM	6,2W	88LM/W	2700K	>90	35.000 Hrs	350
5107.996.35.35	○● White / black	V8	Bridgelux	550LM	6,2W	88LM/W	2700K	>90	35.000 Hrs	350
5107.996.35.5	● Black	V8	Bridgelux	550LM	6,2W	88LM/W	2700K	>90	35.000 Hrs	350
5107.996.35.59	●● Black / gold	V8	Bridgelux	550LM	6,2W	88LM/W	2700K	>90	35.000 Hrs	350
5109.996.50.3	○ White	V8	Bridgelux	745LM	9,2W	80LM/W	2700K	>90	35.000 Hrs	500
5109.996.50.35	○● White / black	V8	Bridgelux	745LM	9,2W	80LM/W	2700K	>90	35.000 Hrs	500
5109.996.50.5	● Black	V8	Bridgelux	745LM	9,2W	80LM/W	2700K	>90	35.000 Hrs	500
5109.996.50.59	●● Black / gold	V8	Bridgelux	745LM	9,2W	80LM/W	2700K	>90	35.000 Hrs	500



SPECTRA S

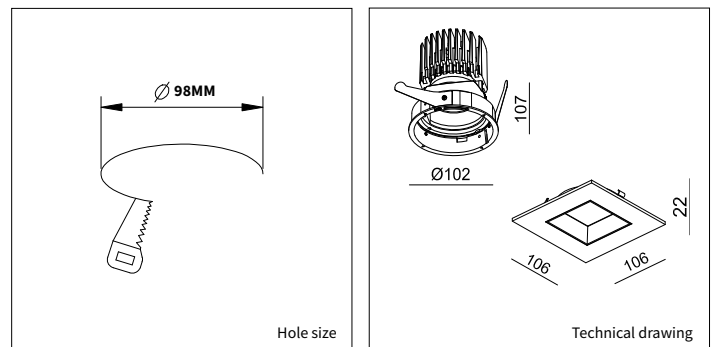
PRODUCT MATERIAL	Die-cast aluminium
LIGHT SOURCE	Bridgelux V10
MODULE LIFETIME	Approx. 35.000 hours
LED COOLING	Passive cooling
DRIVER	Philips driver
BEAM ANGLE	37°
ADJUSTABLE	0 - 30° / 350°
SIZE	102 X 107MM



OPTIONS

DIMMABLE DRIVERS 350mA <small>IN COMBINATION WITH THIS LUMINAIRE. ADDITIONAL PRICE.</small>	1/10v Dimmable 350mA 10W art. no.: 0110.350.10.1	€ 29,50
	Phase-cut Dimmable 350mA 10W art. no.: 0110.350.10.1	€ 29,50
	Dimmable DALI 350mA 18W art. no.: 0118.350.75.0	€ 55,00
DIMMABLE DRIVERS 500mA <small>IN COMBINATION WITH THIS LUMINAIRE. ADDITIONAL PRICE.</small>	1/10v Dimmable 500mA 20W art. no.: 0137.110.50.0	€ 63,00
	Phase-cut Dimmable 500mA 18W art. no.: 0115.500.18.1	€ 29,50
	Dimmable DALI 500mA 18W art. no.: 0118.500.75.0	€ 55,00
DIMMABLE DRIVERS 700mA <small>IN COMBINATION WITH THIS LUMINAIRE. ADDITIONAL PRICE.</small>	1/10v Dimmable 700mA 40W art. no.: 0137.700.40.0	€ 80,00
	Phase-cut Dimmable 700mA 20W art. no.: 0117.700.20.0	€ 45,00
	Dimmable DALI 700mA 25W art. no.: 0119.700.54.0	€ 75,00

SPECTRA WHITE / BLACK



INFORMATION

Incl. cable and plug.

Keylight International reserves the right to modify or change technical, construction or LED specifications due to continuous improvements of our products and light sources.



ART.NR.	COLOR	LAMP TYPE	BRAND	LUMINOUS FLUX	OUTPUT POWER	MODULE EFFICIENCY	COLOUR TEMPERATURE	CRI	TC LIFETIME	mA
5106.994.35.3	○ White	V10	Bridgelux	841LM	9,3W	90LM/W	2700K	>90	35.000 Hrs	350
5106.994.35.35	○● White / black	V10	Bridgelux	841LM	9,3W	90LM/W	2700K	>90	35.000 Hrs	350
5106.994.35.5	● Black	V10	Bridgelux	841LM	9,3W	90LM/W	2700K	>90	35.000 Hrs	350
5106.994.35.59	●● Black / gold	V10	Bridgelux	841LM	9,3W	90LM/W	2700K	>90	35.000 Hrs	350
5106.994.50.3	○ White	V10	Bridgelux	1153LM	13,8W	83LM/W	2700K	>90	35.000 Hrs	500
5106.994.50.35	○● White / black	V10	Bridgelux	1153LM	13,8W	83LM/W	2700K	>90	35.000 Hrs	500
5106.994.50.5	● Black	V10	Bridgelux	1153LM	13,8W	83LM/W	2700K	>90	35.000 Hrs	500
5106.994.50.59	●● Black / gold	V10	Bridgelux	1153LM	13,8W	83LM/W	2700K	>90	35.000 Hrs	500
5106.994.70.3	○ White	V10	Bridgelux	1517LM	20,3W	77LM/W	2700K	>90	35.000 Hrs	700
5106.994.70.35	○● White / black	V10	Bridgelux	1517LM	20,3W	77LM/W	2700K	>90	35.000 Hrs	700
5106.994.70.5	● Black	V10	Bridgelux	1517LM	20,3W	77LM/W	2700K	>90	35.000 Hrs	700
5106.994.70.59	●● Black / gold	V10	Bridgelux	1517LM	20,3W	77LM/W	2700K	>90	35.000 Hrs	700



PRODUCT MATERIAL	Die-cast Aluminium
LIGHT SOURCE	Osram Oslon
MODULE LIFETIME	Approx. 50.000 hours
DRIVER	Including Philips driver
COLORS	○ 3 = White ● 5 = Black
BEAM ANGLE	▲ 15°
ADJUSTABLE	Yes - 0-60° - 360°
SIZE	44 X 44 X 44MM



OPTIONS

OPTIONAL BEAM ANGLE	▲ 36° art. no.: 4925.999.38.9	€ 5,00
REFLECTOR RING	White reflector ring art. no.: 4925.922.15.3	€ 9,50
	Gold reflector ring art. no.: 4925.922.15.9	€ 9,50
DIMMABLE DRIVERS 700mA <i>IN COMBINATION WITH THIS LUMINAIRE. ADDITIONAL PRICE</i>	Phase-cut Dimmable 700 mA 10W art. no.: 0110.700.10.1	€ 39,00
	Dimmable DALI 700 mA 18W art. no.: 0118.700.10.1	€ 55,00

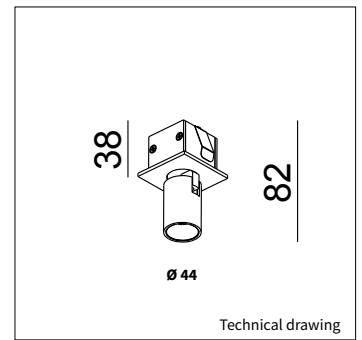
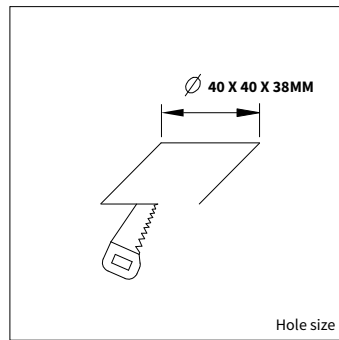
STELLAR 1

INFORMATION

Incl. cable and plug.

Including standard black reflector ring

Keylight International reserves the right to modify or change technical, construction or LED specifications due to continuous improvements of our products and lightsources.



Reflector rings

* This luminaire is only available on special request. For more information, contact our sales department.

ART.NR.	LAMP TYPE	BRAND	LUMINOUS FLUX	OUTPUT POWER	MODULE EFFICIENCY	COLOUR TEMPERATURE	CRI	TC LIFETIME	mA
5032.700.15.Δ	Oslon	Osram	174LM	2,1W	83LM/W	2700K	>90	50.000 Hrs	700mA

Δ see colors



PRODUCT MATERIAL	Die-cast Aluminium
LIGHT SOURCE	Osram Oslon
MODULE LIFETIME	Approx. 50.000 hours
DRIVER	Including Philips driver
COLORS	○ 3 = White ● 5 = Black
BEAM ANGLE	▲ 15°
ADJUSTABLE	Yes - 0-60° - 360°
SIZE	44 X 150 X 44MM



OPTIONS

OPTIONAL BEAM ANGLE	▲ 36° art. no.: 4925.999.38.9	€ 10,00
REFLECTOR RING	White reflector ring art. no.: 4925.922.15.3	€ 19,00
	Gold reflector ring art. no.: 4925.922.15.9	€ 19,00
DIMMABLE DRIVERS 700mA <i>IN COMBINATION WITH THIS LUMINAIRE. ADDITIONAL PRICE</i>	Phase-cut Dimmable 700 mA 10W art. no.: 0110.700.10.1	€ 39,00
	Dimmable DALI 700 mA 18W art. no.: 0118.700.10.1	€ 55,00

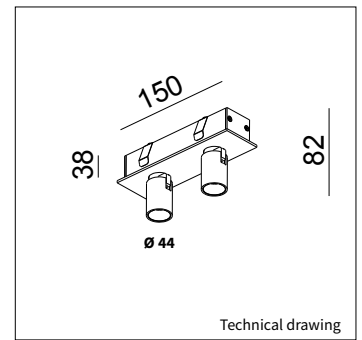
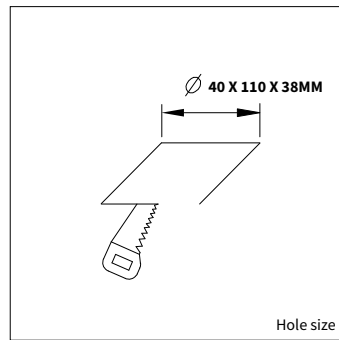
STELLAR 2

INFORMATION

Incl. cable and plug.

Including standard black reflector ring

Keylight International reserves the right to modify or change technical, construction or LED specifications due to continuous improvements of our products and lightsources.



Reflector rings

* This luminaire is only available on special request. For more information, contact our sales department.

ART.NR.	LAMP TYPE	BRAND	LUMINOUS FLUX	OUTPUT POWER	MODULE EFFICIENCY	COLOUR TEMPERATURE	CRI	TC LIFETIME	mA
5033.700.15.Δ	Oslon	Osram	2X 174LM	2x 2,1W	2X 83LM/W	2700K	>90	50.000 Hrs	700mA

Δ see colors



PRODUCT MATERIAL	Die-cast Aluminium
LIGHT SOURCE	Osram
MODULE LIFETIME	Approx. 50.000 hours
DRIVER	Including driver
COLORS	○ 3 = White ● 5 = Black
BEAM ANGLE	46°
ADJUSTABLE	No
SIZE	44 X 44 X 45MM



OPTIONS

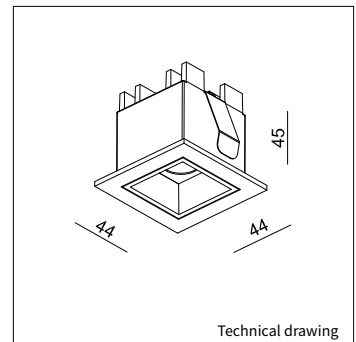
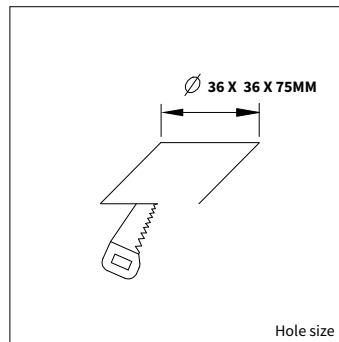
DIMMABLE DRIVERS 700mA <i>IN COMBINATION WITH THIS LUMINAIRE. ADDITIONAL PRICE</i>	Phase-cut Dimmable 700 mA 10W art. no.: 0110.700.10.1	€ 39,00
	Dimmable DALI 700 mA 18W art. no.: 0118.700.10.1	€ 55,00

INFORMATION

Incl. cable and plug.

SKY 1

Keylight International reserves the right to modify or change technical, construction or LED specifications due to continuous improvements of our products and lightsources.



ART.NR.	LAMP TYPE	BRAND	LUMINOUS FLUX	OUTPUT POWER	MODULE EFFICIENCY	COLOUR TEMPERATURE	CRI	TC LIFETIME	mA
Δ see colors									
5115.700.30.Δ	Oslon	Osram	174LM	2W	87LM/W	3000K	>90	50.000 Hrs	700mA



PRODUCT MATERIAL	Die-cast Aluminium
LIGHT SOURCE	Osram
MODULE LIFETIME	Approx. 50.000 hours
DRIVER	Including driver
COLORS	○ 3 = White ● 5 = Black
BEAM ANGLE	46°
ADJUSTABLE	No
SIZE	90 X 44 X 52MM



OPTIONS

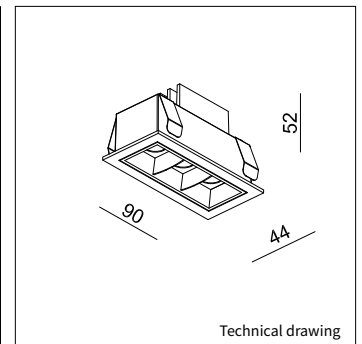
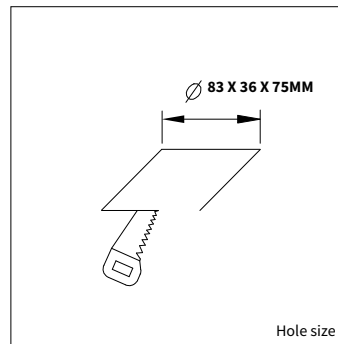
DIMMABLE DRIVERS 700mA <i>IN COMBINATION WITH THIS LUMINAIRE.</i> <i>ADDITIONAL PRICE</i>	Phase-cut Dimmable 700 mA 10W art. no.: 0110.700.10.1	€ 39,00
	Dimmable DALI 700 mA 18W art. no.: 0118.700.10.1	€ 55,00

INFORMATION

Incl. cable and plug.

SKY 3

Keylight International reserves the right to modify or change technical, construction or LED specifications due to continuous improvements of our products and lightsources.



ART.NR.	LAMP TYPE	BRAND	LUMINOUS FLUX	OUTPUT POWER	MODULE EFFICIENCY	COLOUR TEMPERATURE	CRI	TC LIFETIME	mA
Δ see colors									
5116.700.30.Δ	Oslon	Osram	3X 174LM	3x 2W	87LM/W	3000K	>90	50.000 Hrs	700mA



PRODUCT MATERIAL	Die-cast Aluminium
LIGHT SOURCE	Osram
MODULE LIFETIME	Approx. 50.000 hours
DRIVER	Including driver
COLORS	○ 3 = White ● 5 = Black
BEAM ANGLE	46°
ADJUSTABLE	No
SIZE	257 X 44 X 52MM



OPTIONS

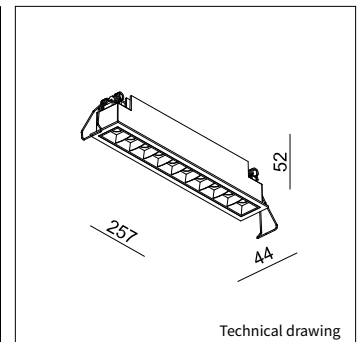
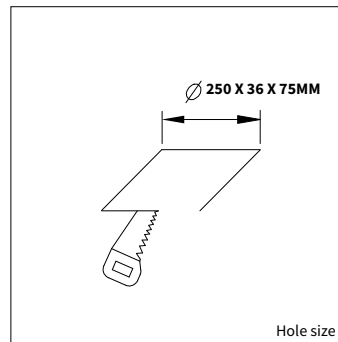
DIMMABLE DRIVERS 700mA <i>IN COMBINATION WITH THIS LUMINAIRE. ADDITIONAL PRICE</i>	Phase-cut Dimmable 700 mA 20W art. no.: 0117.700.20.0	€ 29,50
	1/10v Dimmable 700 mA 20W art. no.: 0137.000.20.1	€ 65,00
	Dimmable DALI 700 mA 25W art. no.: 0119.700.27.0	€ 75,00

SKY 10

INFORMATION

Incl. cable and plug.

Keylight International reserves the right to modify or change technical, construction or LED specifications due to continuous improvements of our products and lightsources.



ART.NR.	LAMP TYPE	BRAND	LUMINOUS FLUX	OUTPUT POWER	MODULE EFFICIENCY	COLOUR TEMPERATURE	CRI	TC LIFETIME	mA
Δ see colors									
5117.700.30.Δ	Oslon	Osram	10X 174LM	10x 2W	87LM/W	3000K	>90	50.000 Hrs	700mA



PRODUCT MATERIAL	Die-cast Aluminium
LIGHT SOURCE	Osram
MODULE LIFETIME	Approx. 50.000 hours
DRIVER	Including driver
COLORS	○ 3 = White ● 5 = Black
BEAM ANGLE	46°
ADJUSTABLE	No
SIZE	68 X 68 X 40MM



OPTIONS

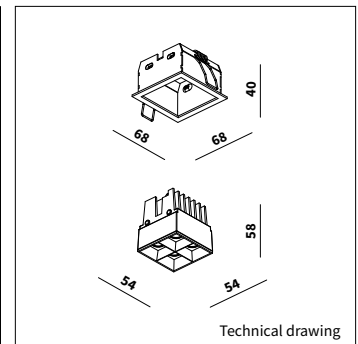
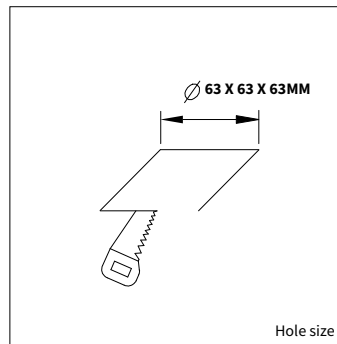
DIMMABLE DRIVERS 700mA <i>IN COMBINATION WITH THIS LUMINAIRE. ADDITIONAL PRICE</i>	Phase-cut Dimmable 700 mA 10W art. no.: 0110.700.10.1	€ 39,00
	Dimmable DALI 700 mA 18W art. no.: 0118.700.10.1	€ 55,00

INFORMATION

Incl. cable and plug.

SKY 10

Keylight International reserves the right to modify or change technical, construction or LED specifications due to continuous improvements of our products and lightsources.



ART.NR.	LAMP TYPE	BRAND	LUMINOUS FLUX	OUTPUT POWER	MODULE EFFICIENCY	COLOUR TEMPERATURE	CRI	TC LIFETIME	mA
5117.700.30.Δ	Oslon	Osram	4 X 174LM	4 x 2W	87LM/W	3000K	>90	50.000 Hrs	700mA

Δ see colors

TRIMLESS 9-1



PRODUCT MATERIAL	Steel
LIGHT SOURCE	MR16 / GU10 / LMR50
DRIVER	LMR 50 includes a driver
COLORS (Δ)	<ul style="list-style-type: none"> ○ 3 = RAL 9003 white ● 5 = RAL 9005 black ● 6 = RAL 9006 alu
BEAM ANGLE	
ADJUSTABLE	Yes
SIZE	90.5 X 90.5 X 107MM



OPTIONS LMR

DIMMABLE DRIVERS <small>IN COMBINATION WITH THIS LUMINAIRE. ADDITIONAL PRICE.</small>	1/10v Dimmable 350mA 10W art. no.: 0110.350.10.1	€ 29,50
	Phase-cut Dimmable 350mA 10W art. no.: 0110.350.10.1	€ 29,50
	Dimmable DALI 350mA 18W art. no.: 0118.350.15.1	€ 55,00
GLASS COVER CLEAR	LMR50 glass IP44 art. no.: 0053.999.99.0	€ 7,50

TRIMLESS 9-1

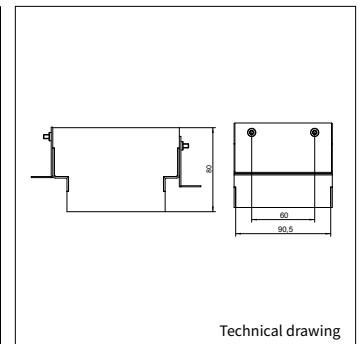
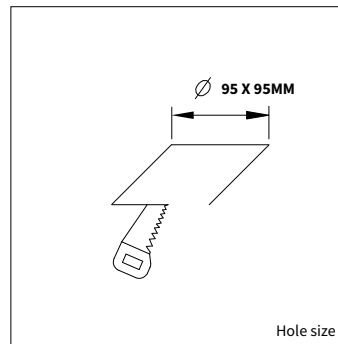
INFORMATION

! Only luminaire body, lightsource and/or driver excluded.

LMR includes a driver, cable and plug.

LMR **Dim to Warm** includes a dimmable driver, cable and plug.

Keylight International reserves the right to modify or change technical, construction or LED specifications due to continuous improvements of our products and lightsources.



ART.NR.	LAMP TYPE	BRAND	LUMINOUS FLUX	OUTPUT POWER	MODULE EFFICIENCY	COLOUR TEMPERATURE	CRI	TC LIFETIME	BEAM ANGLE	mA
Δ see colors										
! 4609.001.98.Δ	MR16	~	~	Max. 50W	~	~	~	~	~	~
! 4609.002.98.Δ	Gu10	~	~	Max. 50W	~	~	~	~	~	~
4609.171.20.Δ	LMR50	Bridgelux V6	575LM	6,8W	85LM/W	2700K	>90	30.000 Hrs	20°	350
4609.172.30.Δ	LMR50	Bridgelux V6	575LM	6,8W	85LM/W	2700K	>90	30.000 Hrs	30°	350
4609.173.20.Δ	LMR50	Bridgelux V6	600LM	6,8W	88LM/W	3000K	>90	30.000 Hrs	20°	350
4609.174.30.Δ	LMR50	Bridgelux V6	600LM	6,8W	88LM/W	3000K	>90	30.000 Hrs	30°	350
4609.175.20.Δ	LMR50	Sharp GW6	563LM	6,6W	85LM/W	2000 - 2800K DTW	>80	30.000 Hrs	20°	350
4609.176.30.Δ	LMR50	Sharp GW6	563LM	6,6W	85LM/W	2000 - 2800K DTW	>80	30.000 Hrs	30°	350



TRIMLESS 9-2

PRODUCT MATERIAL	Steel
LIGHT SOURCE	MR16 / GU10 / LMR50
DRIVER	LMR 50 includes a driver
COLORS (Δ)	<ul style="list-style-type: none"> ○ 3 = RAL 9003 white ● 5 = RAL 9005 black ● 6 = RAL 9006 alu
BEAM ANGLE	<ul style="list-style-type: none"> ▲ 20° ▲ 30°
ADJUSTABLE	Yes
SIZE	173.5 X 90.5 X 107MM



OPTIONS LMR

DIMMABLE DRIVERS <small>IN COMBINATION WITH THIS LUMINAIRE. ADDITIONAL PRICE.</small>	1/10v Dimmable 350mA 10W art. no.: 0110.350.10.1	€ 29,50
	Phase-cut Dimmable 350mA 10W art. no.: 0110.350.10.1	€ 29,50
	Dimmable DALI 350mA 18W art. no.: 0118.350.15.1	€ 55,00
GLASS COVER CLEAR	LMR50 glass IP44 art. no.: 0053.999.99.0	€ 7,50

TRIMLESS 9-2

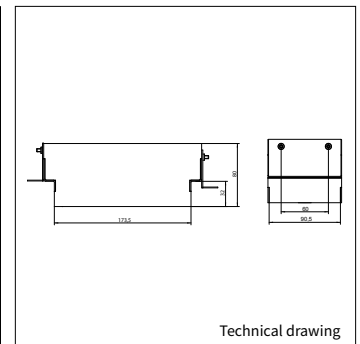
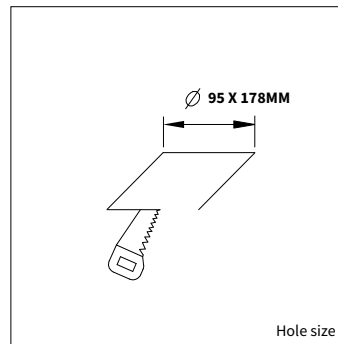
INFORMATION

! Only luminaire body, lightsource and/or driver excluded.

LMR includes a driver, cable and plug.

LMR **Dim to Warm** includes a dimmable driver, cable and plug.

Keylight International reserves the right to modify or change technical, construction or LED specifications due to continuous improvements of our products and lightsources.



ART.NR.	LAMP TYPE	BRAND	LUMINOUS FLUX	OUTPUT POWER	MODULE EFFICIENCY	COLOUR TEMPERATURE	CRI	TC LIFETIME	BEAM ANGLE	mA
Δ see colors										
! 4606.001.98.Δ	MR16	~	~	Max. 50W	~	~	~	~	~	~
! 4606.002.98.Δ	Gu10	~	~	Max. 50W	~	~	~	~	~	~
4606.171.20.Δ	LMR50	Bridgelux V6	2x 575LM	2x 6,8W	85LM/W	2700K	>90	30.000 Hrs	20°	350
4606.172.30.Δ	LMR50	Bridgelux V6	2x 575LM	2x 6,8W	85LM/W	2700K	>90	30.000 Hrs	30°	350
4606.173.20.Δ	LMR50	Bridgelux V6	2x 600LM	2x 6,8W	88LM/W	3000K	>90	30.000 Hrs	20°	350
4606.174.30.Δ	LMR50	Bridgelux V6	2x 600LM	2x 6,8W	88LM/W	3000K	>90	30.000 Hrs	30°	350
4606.175.20.Δ	LMR50	Sharp GW6	2x 563LM	2x 6,6W	85LM/W	2000 - 2800K DTW	>80	30.000 Hrs	20°	350
4606.176.30.Δ	LMR50	Sharp GW6	2x 563LM	2x 6,6W	85LM/W	2000 - 2800K DTW	>80	30.000 Hrs	30°	350



TRIMLESS RM 1

PRODUCT MATERIAL	Steel
LIGHT SOURCE	LMR50 / Mr16 / Gu10
DRIVER	LMR50 includes a driver
COLORS (Δ)	<ul style="list-style-type: none"> ○ 3 = RAL 9003 white ● 77 = RAL 7037 Light grey ● 7 = RAL 7043 Antracit ● 5 = RAL 9005 black
BEAM ANGLE	20°
ADJUSTABLE	Yes
SIZE	115 X 115 X 80MM



OPTIONS

COLORS	The standard colors, as stated above, can be combined with the fixture inside/outside. No additional price. Available in all RAL colours and combinations on request. Additional price + 10%	
DIMMABLE DRIVERS <small>IN COMBINATION WITH THIS LUMINAIRE. ADDITIONAL PRICE.</small>	1/10v Dimmable 350mA 10W art. no.: 0110.350.10.1	€ 29,50
	Phase-cut Dimmable 350mA 10W art. no.: 0110.350.10.1	€ 29,50
	Dimmable DALI 350mA 18W art. no.: 0118.350.15.1	€ 55,00
GLASS COVER CLEAR	Glass IP44 art. no.: 0053.999.99.0	€ 7,50



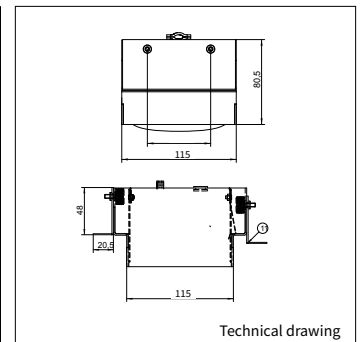
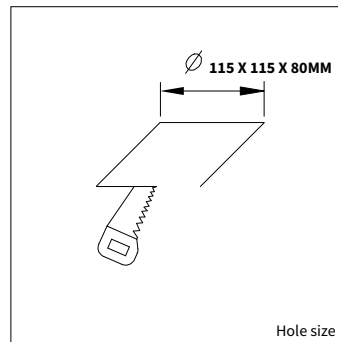
TRIMLESS RM 1

INFORMATION

- Only luminaire body, lightsource and/or driver excluded.
- LMR includes a driver, cable and plug.
- LMR **Dim to Warm** includes a dimmable driver, cable and plug.

Triple or quadruple luminaire available on request

Keylight International reserves the right to modify or change technical, construction or LED specifications due to continuous improvements of our products and lightsources.



ART.NR.	LAMP TYPE	BRAND	LUMINOUS FLUX	OUTPUT POWER	MODULE EFFICIENCY	COLOUR TEMPERATURE	CRI	TC LIFETIME	BEAM ANGLE	mA
Δ see colors										
4615.001.98.Δ	MR16	~	~	Max. 50W	~	~	~	~	~	~
4615.002.98.Δ	Gu10	~	~	Max. 50W	~	~	~	~	~	~
4615.171.20.Δ	LMR50	Bridgelux V6	575LM	6,8W	85LM/W	2700K	>90	30.000 Hrs	20°	350
4615.172.30.Δ	LMR50	Bridgelux V6	575LM	6,8W	85LM/W	2700K	>90	30.000 Hrs	30°	350
4615.173.20.Δ	LMR50	Bridgelux V6	600LM	6,8W	88LM/W	3000K	>90	30.000 Hrs	20°	350
4615.174.30.Δ	LMR50	Bridgelux V6	600LM	6,8W	88LM/W	3000K	>90	30.000 Hrs	30°	350
4615.175.20.Δ	LMR50	Sharp GW6	563LM	6,6W	85LM/W	2000 - 2800K	>80	30.000 Hrs	20°	350
4615.176.30.Δ	LMR50	Sharp GW6	563LM	6,6W	85LM/W	2000 - 2800K	>80	30.000 Hrs	30°	350



TRIMLESS RM 2

PRODUCT MATERIAL

Steel

LIGHT SOURCE

LMR50 / Mr16 / Gu10

DRIVER

LMR50 includes a driver

COLORS (Δ)

- 3 = RAL 9003 white
- 77 = RAL 7037 Light grey
- 7 = RAL 7043 Antracit
- 5 = RAL 9005 black

BEAM ANGLE



ADJUSTABLE

Yes

SIZE

229 X 115 X 80MM



OPTIONS

COLORS	The standard colors, as stated above, can be combined with the fixture inside/outside. No additional price. Available in all RAL colours and combinations on request. Additional price + 10%	
DIMMABLE DRIVERS <i>IN COMBINATION WITH THIS LUMINAIRE. ADDITIONAL PRICE.</i>	1/10v Dimmable 350mA 10W art. no.: 0110.350.10.1	€ 29,50
	Phase-cut Dimmable 350mA 10W art. no.: 0110.350.10.1	€ 29,50
	Dimmable DALI 350mA 18W art. no.: 0118.350.15.1	€ 55,00
GLASS COVER CLEAR	LMR50 glass IP44 art. no.: 0053.999.99.0	€ 7,50



TRIMLESS RM 2

INFORMATION

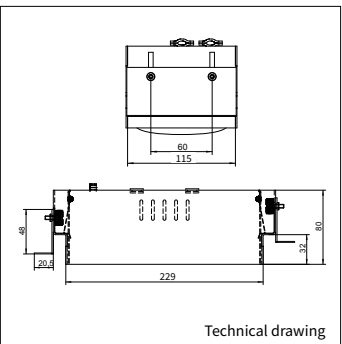
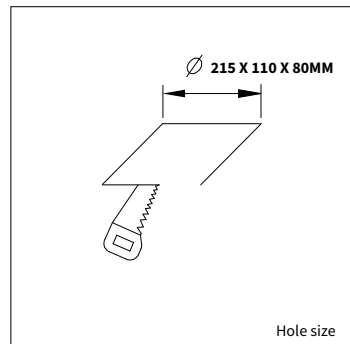
! Only luminaire body, lightsource and/or driver excluded.

LMR includes a driver, cable and plug.

LMR **Dim to Warm** includes a dimmable driver, cable and plug.

Triple or quadruple luminaire available on request

Keylight International reserves the right to modify or change technical, construction or LED specifications due to continuous improvements of our products and lightsources.



ART.NR.	LAMP TYPE	BRAND	LUMINOUS FLUX	OUTPUT POWER	MODULE EFFICIENCY	COLOUR TEMPERATURE	CRI	TC LIFETIME	BEAM ANGLE	mA
Δ see colors										
! 4616.001.98.Δ	MR16	~	~	Max. 50W	~	~	~	~	~	~
! 4616.002.98.Δ	Gu10	~	~	Max. 50W	~	~	~	~	~	~
4616.171.20.Δ	LMR50	Bridgelux V6	2x 575LM	2x 6,8W	85LM/W	2700K	>90	30.000 Hrs	20°	350
4616.172.30.Δ	LMR50	Bridgelux V6	2x 575LM	2x 6,8W	85LM/W	2700K	>90	30.000 Hrs	30°	350
4616.173.20.Δ	LMR50	Bridgelux V6	2x 600LM	2x 6,8W	88LM/W	3000K	>90	30.000 Hrs	20°	350
4616.174.30.Δ	LMR50	Bridgelux V6	2x 600LM	2x 6,8W	88LM/W	3000K	>90	30.000 Hrs	30°	350
4616.175.20.Δ	LMR50	Sharp GW6	2x 563LM	2x 6,6W	85LM/W	2000 - 2800K DTW	>80	30.000 Hrs	20°	350
4616.176.30.Δ	LMR50	Sharp GW6	2x 563LM	2x 6,6W	85LM/W	2000 - 2800K DTW	>80	30.000 Hrs	30°	350



TRIMLESS 10-1

PRODUCT MATERIAL	Steel
LIGHT SOURCE	Retrofit LED / QR70
POWERGEAR	Including powergear
COLORS (Δ)	<ul style="list-style-type: none"> ○ 3 = RAL 9003 white ● 5 = RAL 9005 black ● 6 = RAL 9006 alu
BEAM ANGLE	
ADJUSTABLE	Yes
SIZE	108.5 X 108.50 X 80.5MM



OPTIONS

COLORS	Available in all RAL colours and combinations on request. Additional price + 10%
---------------	--

INFORMATION

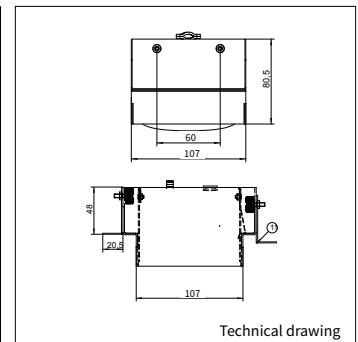
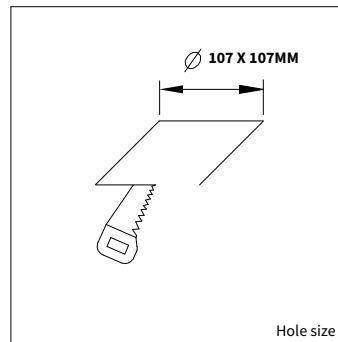
! Only luminaire body, lightsource and/or driver excluded.

Including powergear

70va: Not dimmable

Keylight International reserves the right to modify or change technical, construction or LED specifications due to continuous improvements of our products and lightsources.

TRIMLESS 10-1



ART.NR.	LAMP TYPE	BRAND	LUMINOUS FLUX	OUTPUT POWER	MODULE EFFICIENCY	COLOUR TEMPERATURE	CRI	TC LIFETIME	BEAM ANGLE	mA
Δ see colors										
! 4604.001.98.Δ	Ba15D / QR70	~	~	Max. 50W	~	~	~	~	~	~
4604.070.24.Δ	QR70 LED	KL	380LM	5W	76LM/W	2700K	>80	30.000 Hrs	24°	~



TRIMLESS 10-2

PRODUCT MATERIAL

Steel

LIGHT SOURCE

Retrofit LED / QR70

POWERGEAR

Including powergear

COLORS (Δ)

- 3 = RAL 9003 white
- 5 = RAL 9005 black
- 6 = RAL 9006 alu

BEAM ANGLE



ADJUSTABLE

Yes

SIZE

213 X 107 X 80MM

OPTIONS

COLORS

Available in all RAL colours and combinations on request. Additional price + 10%

INFORMATION

! Only luminaire body, lightsource and/or driver excluded.

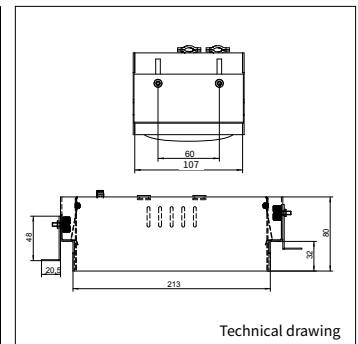
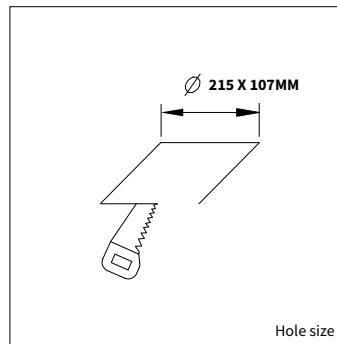
Including powergear

105va: Not dimmable

Keylight International reserves the right to modify or change technical, construction or LED specifications due to continuous improvements of our products and lightsources.



TRIMLESS 10-2



ART.NR.	LAMP TYPE	BRAND	LUMINOUS FLUX	OUTPUT POWER	MODULE EFFICIENCY	COLOUR TEMPERATURE	CRI	TC LIFETIME	BEAM ANGLE	mA
Δ see colors										
! 4642.001.98.Δ	Ba15D / QR70	~	~	Max. 50W	~	~	~	~	~	~
4642.070.24.Δ	QR70 LED	KL	2x 380LM	2X 5W	76LM/W	2700K	>80	30.000 Hrs	24°	~



TRIMLESS 11

PRODUCT MATERIAL	Steel
LIGHT SOURCE	QR111 LED / G53
DRIVER	Including driver
COLORS (Δ)	<ul style="list-style-type: none"> ○ 3 = RAL 9003 white ● 5 = RAL 9005 black ● 6 = RAL 9006 alu
BEAM ANGLE	
ADJUSTABLE	Yes
SIZE	147 X 147 X 80.5MM



OPTIONS

COLORS	Available in all RAL colours and combinations on request. Additional price + 10%
---------------	--

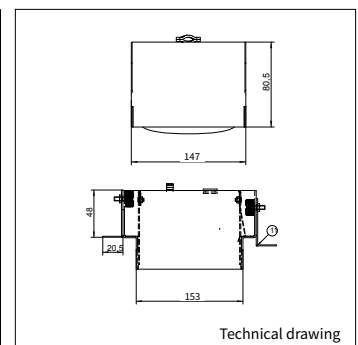
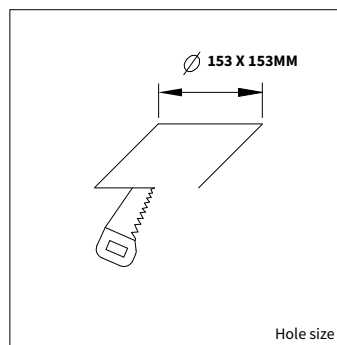
INFORMATION

! Only luminaire body, lightsource and/or driver excluded.

Dim to Warm Includes a dimmable driver

Keylight International reserves the right to modify or change technical, construction or LED specifications due to continuous improvements of our products and lightsources.

TRIMLESS 11



ART.NR.	LAMP TYPE	BRAND	LUMINOUS FLUX	OUTPUT POWER	MODULE EFFICIENCY	COLOUR TEMPERATURE	CRI	TC LIFETIME	BEAM ANGLE	mA
Δ see colors										
! 4607.999.99.Δ	QR111 / G53	~	~	Max. 50W	~	~	~	~	~	~
4607.605.24.Δ	QR111 LED / G53	KL	500LM	10W	50LM/W	2800K	>90	30.000 Hrs	24°	500mA
4607.606.24.Δ	QR111 LED / G53	KL	750LM	15W	50LM/W	2800K	>90	30.000 Hrs	24°	350mA
4607.606.40.Δ	QR111 LED / G53	KL	750LM	15W	50LM/W	2800K	>90	30.000 Hrs	40°	350mA
4607.175.24.Δ	QR111 LED / G53	KL	700LM	15W	46LM/W	2000 - 2900K	>96	35.000 Hrs	24°	350mA
4607.175.45.Δ	QR111 LED / G53	KL	700LM	15W	46LM/W	2000 - 2900K	>96	35.000 Hrs	45°	350mA



TRIMLESS 21

PRODUCT MATERIAL

Steel

LIGHT SOURCE

QR111 LED / G53

DRIVER

Including driver

COLORS (Δ)

- 3 = RAL 9003 white
- 5 = RAL 9005 black
- 6 = RAL 9006 alu

BEAM ANGLE



ADJUSTABLE

Yes

SIZE

147 X 294 X 80MM



OPTIONS

COLORS

Available in all RAL colours and combinations on request. Additional price + 10%

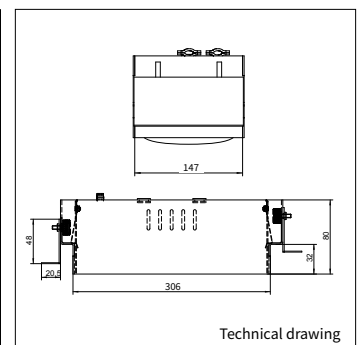
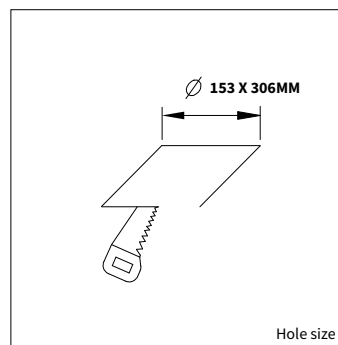
INFORMATION

! Only luminaire body, lightsource and/or driver excluded.

Dim to Warm Includes a dimmable driver

Keylight International reserves the right to modify or change technical, construction or LED specifications due to continuous improvements of our products and lightsources.

TRIMLESS 21



ART.NR.	LAMP TYPE	BRAND	LUMINOUS FLUX	OUTPUT POWER	MODULE EFFICIENCY	COLOUR TEMPERATURE	CRI	TC LIFETIME	BEAM ANGLE	mA
Δ see colors										
! 4608.999.99.Δ	QR111 / G53	~	~	Max. 50W	~	~	~	~	~	~
4608.605.24.Δ	QR111 LED / G53	KL	500LM	10W	50LM/W	2800K	>90	30.000 Hrs	24°	500mA
4608.606.24.Δ	QR111 LED / G53	KL	750LM	15W	50LM/W	2800K	>90	30.000 Hrs	24°	350mA
4608.606.40.Δ	QR111 LED / G53	KL	750LM	15W	50LM/W	2800K	>90	30.000 Hrs	40°	350mA
4608.175.24.Δ	QR111 LED / G53	KL	700LM	15W	46LM/W	2000 - 2900K	DTW >96	35.000 Hrs	24°	350mA
4608.175.45.Δ	QR111 LED / G53	KL	700LM	15W	46LM/W	2000 - 2900K	DTW >96	35.000 Hrs	45°	350mA



QUASAR 10-1

PRODUCT MATERIAL	Aluminium
LIGHT SOURCE	MR16/Gu10 LED / LMR50
DRIVER	LMR 50 includes a driver
COLORS	<ul style="list-style-type: none"> ○ 3 = RAL 9003 white ● 5 = RAL 9005 black ● 6 = RAL 9006 alu
BEAM ANGLE	
ADJUSTABLE	Yes
SIZE	100 X 100 X 50/60MM



OPTIONS LMR

GLASS COVER CLEAR	Glass IP44 art. no.: 0053.999.99.0	€ 7,50
GLASS FILTER	Filter 2400K glass art. no.: 4006.999.27.0	€ 30,00
DIMMABLE DRIVERS <i>IN COMBINATION WITH THIS LUMINAIRE. ADDITIONAL PRICE.</i>	1/10v Dimmable 350mA 10W art. no.: 0110.350.10.1	€ 29,50
	Phase-cut Dimmable 350mA 10W art. no.: 0110.350.10.1	€ 29,50
	Dimmable DALI 350mA 18W art. no.: 0118.350.15.1	€ 55,00

QUASAR 10-1

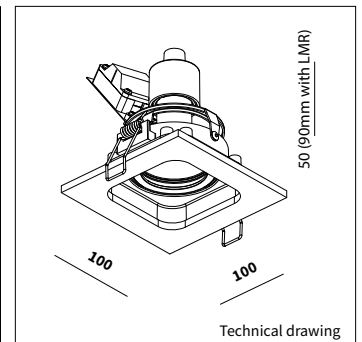
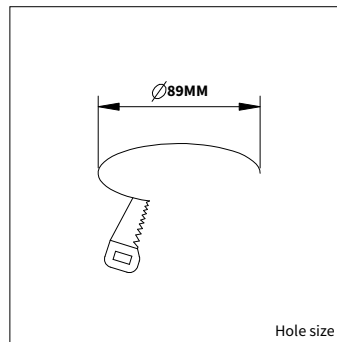
INFORMATION

! Only luminaire body, lightsource and/or driver excluded.

LMR includes a driver, cable and plug.

LMR **Dim to Warm** includes a dimmable driver, cable and plug.

Keylight International reserves the right to modify or change technical, construction or LED specifications due to continuous improvements of our products and lightsources.



ART.NR.	LAMP TYPE	BRAND	LUMINOUS FLUX	OUTPUT POWER	MODULE EFFICIENCY	COLOUR TEMPERATURE	CRI	TC LIFETIME	BEAM ANGLE	mA
Δ see colors										
! 4906.001.98.Δ	MR16	~	~	Max. 50W	~	~	~	~	~	~
! 4906.002.98.Δ	Gu10	~	~	Max. 50W	~	~	~	~	~	~
4906.171.20.Δ	LMR50	Bridgelux V6	575LM	6,8W	85LM/W	2700K	>90	30.000 Hrs	20°	350
4906.172.30.Δ	LMR50	Bridgelux V6	575LM	6,8W	85LM/W	2700K	>90	30.000 Hrs	30°	350
4906.173.20.Δ	LMR50	Bridgelux V6	600LM	6,8W	88LM/W	3000K	>90	30.000 Hrs	20°	350
4906.174.30.Δ	LMR50	Bridgelux V6	600LM	6,8W	88LM/W	3000K	>90	30.000 Hrs	30°	350
4906.175.20.Δ	LMR50	Sharp GW6	563LM	6,6W	85LM/W	2000 - 2800K DTW	>80	30.000 Hrs	20°	350
4906.176.30.Δ	LMR50	Sharp GW6	563LM	6,6W	85LM/W	2000 - 2800K DTW	>80	30.000 Hrs	30°	350



QUASAR 10-2

PRODUCT MATERIAL	Aluminium
LIGHT SOURCE	MR16/Gu10 LED / LMR50
DRIVER	LMR 50 includes a driver
COLORS	<ul style="list-style-type: none"> ○ 3 = RAL 9003 white ● 5 = RAL 9005 black ● 6 = RAL 9006 alu
BEAM ANGLE	
ADJUSTABLE	Yes
SIZE	200 X 100 X 50/60MM



OPTIONS

GLASS COVER CLEAR	Glass IP44 art. no.: 0053.999.99.0	€ 15,00
GLASS FILTER	Filter 2400K glass art. no.: 4006.999.27.0	€ 60,00
DIMMABLE DRIVERS <i>IN COMBINATION WITH THIS LUMINAIRE. ADDITIONAL PRICE.</i>	1/10v Dimmable 350mA 20W art. no.: 0137.110.20.0	€ 63,00
	Phase-cut Dimmable 350mA 18W art. no.: 0115.350.18.1	€ 29,00
	Dimmable DALI 350mA 18W art. no.: 0118.350.75.0	€ 55,00

INFORMATION

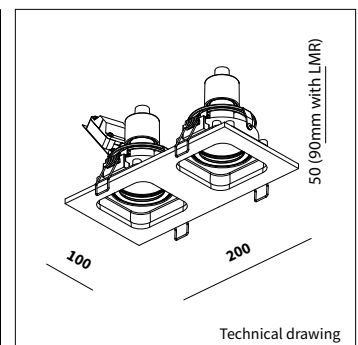
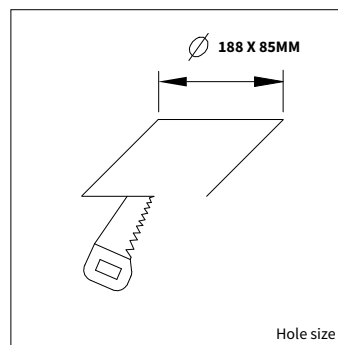
! Only luminaire body, lightsource and/or driver excluded.

LMR includes a driver, cable and plug.

LMR **Dim to Warm** includes a dimmable driver, cable and plug.

Keylight International reserves the right to modify or change technical, construction or LED specifications due to continuous improvements of our products and lightsources.

QUASAR 10-2

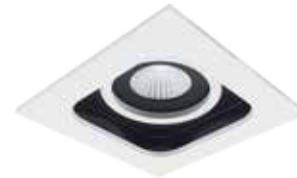


ART.NR.	LAMP TYPE	BRAND	LUMINOUS FLUX	OUTPUT POWER	MODULE EFFICIENCY	COLOUR TEMPERATURE	CRI	TC LIFETIME	BEAM ANGLE	mA
Δ see colors										
! 4907.001.98.Δ	MR16	~	~	Max. 50W	~	~	~	~	~	~
! 4907.002.98.Δ	Gu10	~	~	Max. 50W	~	~	~	~	~	~
4907.171.20.Δ	LMR50	Bridgelux V6	2x 575LM	2x 6,8W	2x 85LM/W	2x 2700K	>90	30.000 Hrs	20°	350
4907.172.30.Δ	LMR50	Bridgelux V6	2x 575LM	2x 6,8W	2x 85LM/W	2x 2700K	>90	30.000 Hrs	30°	350
4907.173.20.Δ	LMR50	Bridgelux V6	2x 600LM	2x 6,8W	2x 88LM/W	2x 3000K	>90	30.000 Hrs	20°	350
4907.174.30.Δ	LMR50	Bridgelux V6	2x 600LM	2x 6,8W	2x 88LM/W	2x 3000K	>90	30.000 Hrs	30°	350
4907.175.20.Δ	LMR50	Sharp GW6	2x 563LM	2x 6,6W	2x 85LM/W	2X 2000 - 2800K DTW	>80	30.000 Hrs	20°	350
4907.176.30.Δ	LMR50	Sharp GW6	2x 563LM	2x 6,6W	2x 85LM/W	2X 2000 - 2800K DTW	>80	30.000 Hrs	30°	350



QUASAR 12-1

PRODUCT MATERIAL	Aluminium
LIGHT SOURCE	LMR50 / Ba15D
DRIVER	LMR 50 includes a driver
COLORS	<ul style="list-style-type: none"> ○ 3 = RAL 9003 white ● 5 = RAL 9005 black ● 6 = RAL 9006 alu
BEAM ANGLE	
ADJUSTABLE	Yes
SIZE	123 X 123 X 55/90MM



OPTIONS LMR

GLASS COVER CLEAR	Glass IP44 art. no.: 0053.999.99.0	€ 7,50
GLASS FILTER	Filter 2400K glass art. no.: 4006.999.27.0	€ 30,00
DIMMABLE DRIVERS <i>IN COMBINATION WITH THIS LUMINAIRE. ADDITIONAL PRICE.</i>	1/10v Dimmable 350mA 10W art. no.: 0110.350.10.1	€ 29,50
	Phase-cut Dimmable 350mA 10W art. no.: 0110.350.10.1	€ 29,50
	Dimmable DALI 350mA 18W art. no.: 0118.350.15.1	€ 55,00

QUASAR 12-1

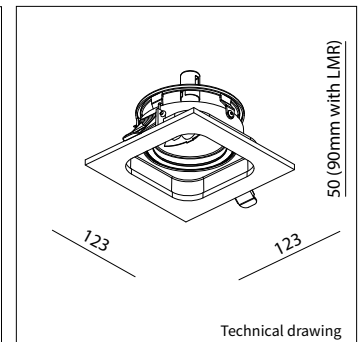
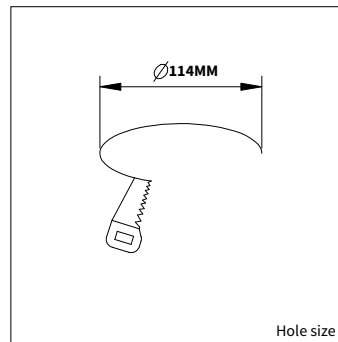
INFORMATION

! Only luminaire body, lightsource and/or driver excluded.

LMR includes a driver, cable and plug.

LMR **Dim to Warm** includes a dimmable driver, cable and plug.

Keylight International reserves the right to modify or change technical, construction or LED specifications due to continuous improvements of our products and lightsources.



ART.NR.	LAMP TYPE	BRAND	LUMINOUS FLUX	OUTPUT POWER	MODULE EFFICIENCY	COLOUR TEMPERATURE	CRI	TC LIFETIME	BEAM ANGLE	mA
Δ see colors										
! 4903.001.98.Δ	Ba15D / QR70	~	~	Max. 50W	~	~	~	~	~	~
4903.171.20.Δ	LMR50	Bridgelux V6	575LM	6,8W	85LM/W	2700K	>90	30.000 Hrs	20°	350
4903.172.30.Δ	LMR50	Bridgelux V6	575LM	6,8W	85LM/W	2700K	>90	30.000 Hrs	30°	350
4903.173.20.Δ	LMR50	Bridgelux V6	600LM	6,8W	88LM/W	3000K	>90	30.000 Hrs	20°	350
4903.174.30.Δ	LMR50	Bridgelux V6	600LM	6,8W	88LM/W	3000K	>90	30.000 Hrs	30°	350
4903.175.20.Δ	LMR50	Sharp GW6	563LM	6,6W	85LM/W	2000 - 2800K DTW	>80	30.000 Hrs	20°	350
4903.176.30.Δ	LMR50	Sharp GW6	563LM	6,6W	85LM/W	2000 - 2800K DTW	>80	30.000 Hrs	30°	350





NITRO 10

PRODUCT MATERIAL	Die-cast aluminium + steel
LIGHT SOURCE	MR16 LED / LMR50
DRIVER	LMR 50 includes a driver
COLORS (Δ)	<ul style="list-style-type: none"> ○ 3 = RAL 9003 White ● 5 = RAL 9005 Black ● 6 = RAL 9006 Alu
BEAM ANGLE	
ADJUSTABLE	Yes
SIZE	106 X 106 X 43/80MM



OPTIONS LMR

DIMMABLE DRIVERS <small>IN COMBINATION WITH THIS LUMINAIRE. ADDITIONAL PRICE.</small>	1/10v Dimmable 350mA 10W art. no.: 0110.350.10.1	€ 29,50
	Phase-cut Dimmable 350mA 10W art. no.: 0110.350.10.1	€ 29,50
	Dimmable DALI 350mA 18W art. no.: 0118.350.15.1	€ 55,00
GLASS COVER CLEAR	LMR50 glass IP44 art. no.: 0053.999.99.0	€ 7,50

NITRO 10

INFORMATION

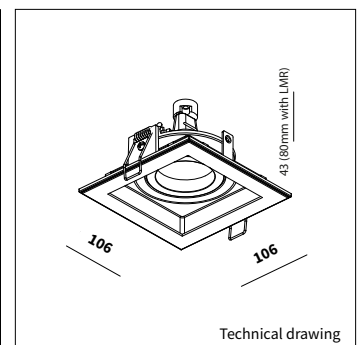
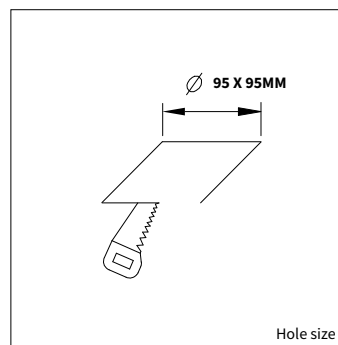
! Only luminaire body, lightsource and/or driver excluded.

LMR includes a driver, cable and plug.

LMR **Dim to Warm** includes a dimmable driver, cable and plug.

Including an assemble plate to mount a single unit into a double, triple, quadruple or "L" shape unit easily in a short time

Keylight International reserves the right to modify or change technical, construction or LED specifications due to continuous improvements of our products and lightsources.



ART.NR.	LAMP TYPE	BRAND	LUMINOUS FLUX	OUTPUT POWER	MODULE EFFICIENCY	COLOUR TEMPERATURE	CRI	TC LIFETIME	BEAM ANGLE	mA
Δ see colors										
! 4910.001.98.Δ	MR16	~	~	Max. 50W	~	~	~	~	~	~
! 4910.002.98.Δ	Gu10	~	~	Max. 50W	~	~	~	~	~	~
4910.171.20.Δ	LMR50	Bridgelux V6	575LM	6,8W	85LM/W	2700K	>90	30.000 Hrs	20°	350
4910.172.30.Δ	LMR50	Bridgelux V6	575LM	6,8W	85LM/W	2700K	>90	30.000 Hrs	30°	350
4910.173.20.Δ	LMR50	Bridgelux V6	600LM	6,8W	88LM/W	3000K	>90	30.000 Hrs	20°	350
4910.174.30.Δ	LMR50	Bridgelux V6	600LM	6,8W	88LM/W	3000K	>90	30.000 Hrs	30°	350
4910.175.20.Δ	LMR50	Sharp GW6	563LM	6,6W	85LM/W	2000 - 2800K DTW	>80	30.000 Hrs	20°	350
4910.176.30.Δ	LMR50	Sharp GW6	563LM	6,6W	85LM/W	2000 - 2800K DTW	>80	30.000 Hrs	30°	350



NITRO 13

PRODUCT MATERIAL	Die-cast aluminium
LIGHT SOURCE	LMR50 / QR70
DRIVER	LMR50 includes a driver
COLORS (Δ)	<ul style="list-style-type: none"> ○ 3 = RAL 9003 White ● 5 = RAL 9005 Black ● 6 = RAL 9006 Alu
BEAM ANGLE	20°
ADJUSTABLE	Yes
SIZE	130 X 130 X 145MM



OPTIONS LMR

DIMMABLE DRIVERS <small>IN COMBINATION WITH THIS LUMINAIRE. ADDITIONAL PRICE.</small>	1/10v Dimmable 350mA 10W art. no.: 0110.350.10.1	€ 29,50
	Phase-cut Dimmable 350mA 10W art. no.: 0110.350.10.1	€ 29,50
	Dimmable DALI 350mA 18W art. no.: 0118.350.15.1	€ 55,00
GLASS COVER CLEAR	Glass IP44 art. no.: 0053.999.99.0	€ 7,50

NITRO 13

INFORMATION

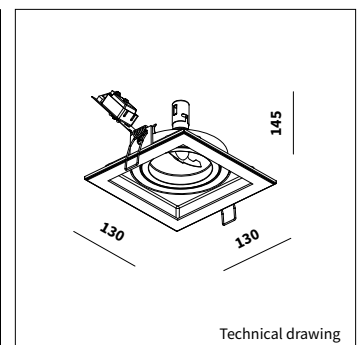
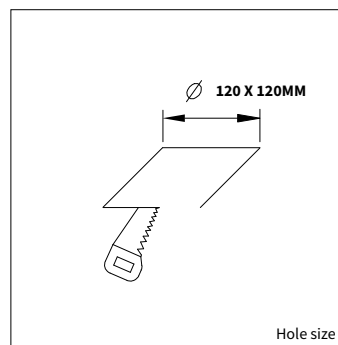
! Only luminaire body, lightsource and/or driver excluded.

LMR includes a driver, cable and plug.

LMR **Dim to Warm** includes a dimmable driver, cable and plug.

Including an assemble plate to mount a single unit into a double, triple, quadruple or "L" shape unit easily in a short time

Keylight International reserves the right to modify or change technical, contruction or LED specifications due to continuous improvements of our products and lightsources.



ART.NR.	LAMP TYPE	BRAND	LUMINOUS FLUX	OUTPUT POWER	MODULE EFFICIENCY	COLOUR TEMPERATURE	CRI	TC LIFETIME	BEAM ANGLE	mA
Δ see colors										
! 4911.001.98.Δ	QR70 / Ba15D	~	~	Max. 50W	~	~	~	~	~	~
4911.171.20.Δ	LMR50	Bridgelux V6	575LM	6,8W	85LM/W	2700K	>90	30.000 Hrs	20°	350
4911.172.30.Δ	LMR50	Bridgelux V6	575LM	6,8W	85LM/W	2700K	>90	30.000 Hrs	30°	350
4911.173.20.Δ	LMR50	Bridgelux V6	600LM	6,8W	88LM/W	3000K	>90	30.000 Hrs	20°	350
4911.174.30.Δ	LMR50	Bridgelux V6	600LM	6,8W	88LM/W	3000K	>90	30.000 Hrs	30°	350
4911.175.20.Δ	LMR50	Sharp GW6	563LM	6,6W	85LM/W	2000 - 2800K DTW	>80	30.000 Hrs	20°	350
4911.176.30.Δ	LMR50	Sharp GW6	563LM	6,6W	85LM/W	2000 - 2800K DTW	>80	30.000 Hrs	30°	350



BASIC 13

PRODUCT MATERIAL	Die-cast aluminium
LIGHT SOURCE	LMR50 / MR16 / Gu10
DRIVER	LMR50 includes a driver
COLORS (Δ)	○ 3 = RAL 9003 White ● 5 = RAL 9005 Black
BEAM ANGLE	
ADJUSTABLE	Yes
SIZE	130 X 130 X 43/100MM



OPTIONS LMR

DIMMABLE DRIVERS <small>IN COMBINATION WITH THIS LUMINAIRE. ADDITIONAL PRICE.</small>	1/10v Dimmable 350mA 10W art. no.: 0110.350.10.1	€ 29,50
	Phase-cut Dimmable 350mA 10W art. no.: 0110.350.10.1	€ 29,50
	Dimmable DALI 350mA 18W art. no.: 0118.350.15.1	€ 55,00
GLASS COVER CLEAR	LMR50 glass IP44 art. no.: 0053.999.99.0	€ 7,50

BASIC 13

INFORMATION

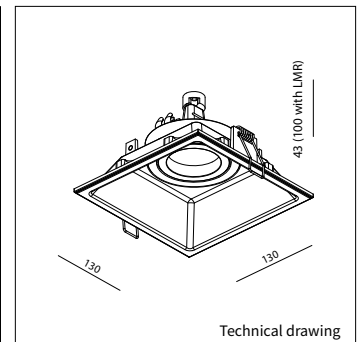
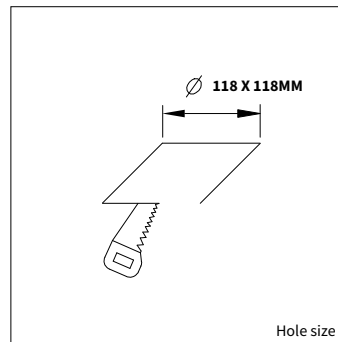
! Only luminaire body, lightsource and/or driver excluded.

LMR includes a driver, cable and plug.

LMR **Dim to Warm** includes a dimmable driver, cable and plug.

Including an assembly plate to mount a single unit into a double, triple, quadruple or "L" shape unit easily in a short time

Keylight International reserves the right to modify or change technical, construction or LED specifications due to continuous improvements of our products and lightsources.



ART.NR.	LAMP TYPE	BRAND	LUMINOUS FLUX	OUTPUT POWER	MODULE EFFICIENCY	COLOUR TEMPERATURE	CRI	TC LIFETIME	BEAM ANGLE	mA
Δ see colors										
! 4908.001.98.Δ	MR16 / Gu10	~	~	Max. 50W	~	~	~	~	~	~
4908.171.20.Δ	LMR50	Bridgelux V6	575LM	6,8W	85LM/W	2700K	>90	30.000 Hrs	20°	350
4908.172.30.Δ	LMR50	Bridgelux V6	575LM	6,8W	85LM/W	2700K	>90	30.000 Hrs	30°	350
4908.173.20.Δ	LMR50	Bridgelux V6	600LM	6,8W	88LM/W	3000K	>90	30.000 Hrs	20°	350
4908.174.30.Δ	LMR50	Bridgelux V6	600LM	6,8W	88LM/W	3000K	>90	30.000 Hrs	30°	350
4908.175.20.Δ	LMR50	Sharp GW6	563LM	6,6W	85LM/W	2000 - 2800K DTW	>80	30.000 Hrs	20°	350
4908.176.30.Δ	LMR50	Sharp GW6	563LM	6,6W	85LM/W	2000 - 2800K DTW	>80	30.000 Hrs	30°	350



BASIC 17

PRODUCT MATERIAL	Die-cast aluminium
LIGHT SOURCE	LMR50 / QR70
DRIVER	LMR50 includes a driver
COLORS (Δ)	○ 3 = RAL 9003 White
BEAM ANGLE	20°
ADJUSTABLE	Yes
SIZE	170 X 170 X 65/120MM



OPTIONS LMR

DIMMABLE DRIVERS <small>IN COMBINATION WITH THIS LUMINAIRE. ADDITIONAL PRICE.</small>	1/10v Dimmable 350mA 10W art. no.: 0110.350.10.1	€ 29,50
	Phase-cut Dimmable 350mA 10W art. no.: 0110.350.10.1	€ 29,50
	Dimmable DALI 350mA 18W art. no.: 0118.350.15.1	€ 55,00
GLASS COVER CLEAR	Glass IP44 art. no.: 0053.999.99.0	€ 7,50

INFORMATION

BASIC 17

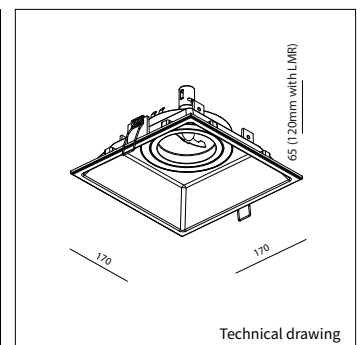
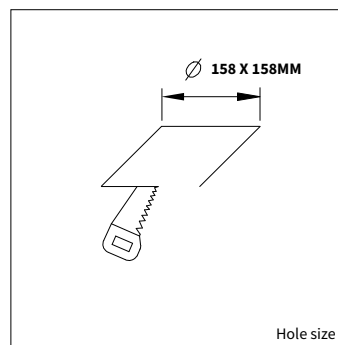
! Only luminaire body, lightsource and/or driver excluded.

LMR includes a driver, cable and plug.

LMR **Dim to Warm** includes a dimmable driver, cable and plug.

Including an assembly plate to mount a single unit into a double, triple, quadruple or "L" shape unit easily in a short time

Keylight International reserves the right to modify or change technical, construction or LED specifications due to continuous improvements of our products and lightsources.



ART.NR.	LAMP TYPE	BRAND	LUMINOUS FLUX	OUTPUT POWER	MODULE EFFICIENCY	COLOUR TEMPERATURE	CRI	TC LIFETIME	BEAM ANGLE	mA
Δ see colors										
! 4909.001.98.Δ	Ba15d	~	~	Max. 50W	~	~	~	~	~	~
4909.171.20.Δ	LMR50	Bridgelux V6	575LM	6,8W	85LM/W	2700K	>90	30.000 Hrs	20°	350
4909.172.30.Δ	LMR50	Bridgelux V6	575LM	6,8W	85LM/W	2700K	>90	30.000 Hrs	30°	350
4909.173.20.Δ	LMR50	Bridgelux V6	600LM	6,8W	88LM/W	3000K	>90	30.000 Hrs	20°	350
4909.174.30.Δ	LMR50	Bridgelux V6	600LM	6,8W	88LM/W	3000K	>90	30.000 Hrs	30°	350
4909.175.20.Δ	LMR50	Sharp GW6	563LM	6,6W	85LM/W	2000 - 2800K	>80	30.000 Hrs	20°	350
4909.176.30.Δ	LMR50	Sharp GW6	563LM	6,6W	85LM/W	2000 - 2800K	>80	30.000 Hrs	30°	350



THUNDER 1

PRODUCT MATERIAL	Die-cast aluminium
LIGHT SOURCE	SLM G6
MODULE LIFETIME	50.000 Hours
LED COOLING	Passive cooling
DRIVER	Incl. Xitanium driver.
COLORS (Δ)	<ul style="list-style-type: none"> ○ 3 = RAL 9003 white ● 5 = RAL 9005 black ● 6 = RAL 9006 alu
BEAM ANGLE	24°
ADJUSTABLE	Yes
SIZE	163 X 163 X 135MM



OPTIONS

EMERGENCY BALLAST	0187.003.01 - 1 hours.	€ 180,00
DIFFUSER	0186.999.99	€ 9,50
DIFFUSER W/ HOLE	0188.999.99	€ 9,50
DIMMABLE	Dimmable DALI	€ 60,00
OPTIONAL BEAM ANGLE	<ul style="list-style-type: none"> 4391.036.00.0 € 5,00 4391.015.00.0 € 5,00 	

THUNDER 1

INFORMATION

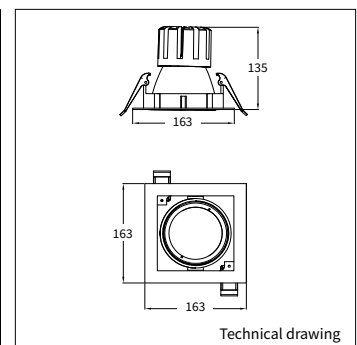
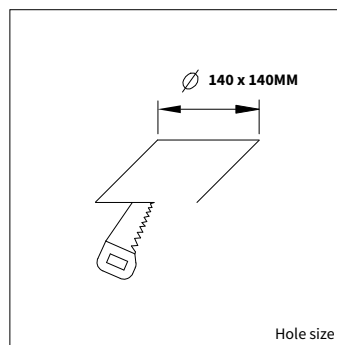
WARRANTY	5 Years
-----------------	---------

Δ = product color code. See colors

including cable and plug.

3 and 4 light luminaire available on request.

Keylight International reserves the right to modify or change technical, construction or LED specifications due to continuous improvements of our products and lightsources. The light source in this product can be replaced with an equivalent module made by Philips, Osram or Tridonic.



Hole size

Technical drawing

AVAILABLE SLM OPTIONS

To order the correct product, please replace **COB*** in the article number field with the COB code found on the last page of the catalogue

ARTICLE NUMBER	LUMINOUS FLUX	BRAND	OUTPUT POWER	COLOUR TEMPERATURE	CRI	SETTING	POWER FACTOR
4391. COB* .24.Δ	1100	Philips SLM G6	7W	827 / 830 / 835 / 840 / 850	>80	High Efficiency	>0,9
4391. COB* .24.Δ	1100	Philips SLM G6	8W	927 / 930	>90	High Efficiency	>0,9
4391. COB* .24.Δ	1100	Philips SLM G6	7W	830 Premium White	>80	High Efficiency	>0,9
4391. COB* .24.Δ	1100	Philips SLM G6	8W	930 / 935 / 940 Premium White	>90	High Efficiency	>0,9
4391. COB* .24.Δ	1100	Philips SLM G6	10W	930 Crisp White (930 CW)	>90	High Efficiency	>0,9
4391. COB* .24.Δ	1100	Philips SLM G6	11W	Food Warm White (FWW)	84	High Efficiency	>0,9
4391. COB* .24.Δ	1100	Philips SLM G6	11W	Food Premium Red (FPR)	88	High Efficiency	>0,9
4391. COB* .24.Δ	2000	Philips SLM G6	13W	827 / 830 / 835 / 840 / 850	>80	High Efficiency	>0,9
4391. COB* .24.Δ	2000	Philips SLM G6	17W	927 / 930	>90	High Efficiency	>0,9
4391. COB* .24.Δ	2000	Philips SLM G6	14W	830 Premium White	>80	High Efficiency	>0,9
4391. COB* .24.Δ	2000	Philips SLM G6	16W	930 / 935 / 940 Premium White	>90	High Efficiency	>0,9
4391. COB* .24.Δ	2000	Philips SLM G6	21W	930 Crisp White (930 CW)	>90	High Efficiency	>0,9
4391. COB* .24.Δ	2000	Philips SLM G6	23W	Food Warm White (FWW)	84	High Efficiency	>0,9
4391. COB* .24.Δ	2000	Philips SLM G6	22W	Food Premium Red (FPR)	88	High Efficiency	>0,9
4391. COB* .24.Δ	3000	Philips SLM G6	19W	827 / 830 / 835 / 840 / 850 / 857	>80	High Efficiency	>0,9
4391. COB* .24.Δ	3000	Philips SLM G6	26W	927 / 930	>90	High Efficiency	>0,9
4391. COB* .24.Δ	3000	Philips SLM G6	20W	830 Premium White	>80	High Efficiency	>0,9
4391. COB* .24.Δ	3000	Philips SLM G6	25W	930 / 935 / 940 Premium White	>90	High Efficiency	>0,9
4391. COB* .24.Δ	3000	Philips SLM G6	32W	930 Crisp White (930 CW)	>90	High Efficiency	>0,9
4391. COB* .24.Δ	4500	Philips SLM G6	29W	827 / 830 / 835 / 840 / 850 / 857	>80	High Efficiency	>0,9
4391. COB* .24.Δ	4500	Philips SLM G6	30W	830 Premium White	>80	High Efficiency	>0,9

High efficiency is the standard Keylight setting for all SLM G6 LED modules. For technical and warranty information regarding high efficiency, see last page of the catalogue. Standard system warranty is 5 years.



THUNDER 2

PRODUCT MATERIAL	Die-cast aluminium
LIGHT SOURCE	SLM G6
MODULE LIFETIME	Approx. 50.000 hours
LED COOLING	Passive cooling
DRIVER	Incl. Xitanium driver.
COLORS (Δ)	<ul style="list-style-type: none"> ○ 3 = RAL 9003 white ● 5 = RAL 9005 black ● 6 = RAL 9006 alu
BEAM ANGLE	
ADJUSTABLE	Yes
SIZE	326 X 163 X 136MM



OPTIONS

EMERGENCY BALLAST	0187.003.01 - 1 hours.	€ 180,00
DIFFUSER	0186.999.99	€ 19,00
DIFFUSER W/ HOLE	0188.999.99	€ 19,00
DIMMABLE	Dimmable DALI	€ 120,00
OPTIONAL BEAM ANGLE	<ul style="list-style-type: none"> 4391.036.00.0 € 10,00 4391.015.00.0 € 10,00 	

THUNDER 2

INFORMATION

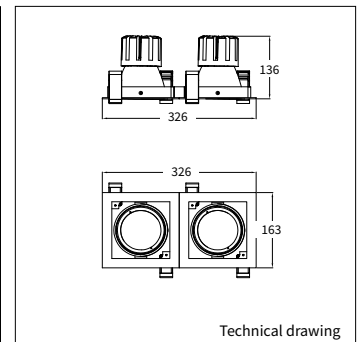
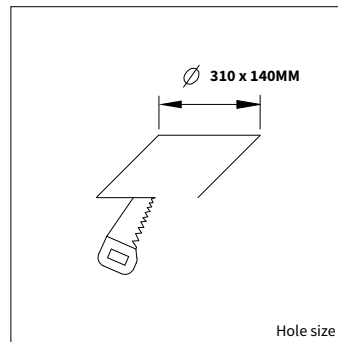
WARRANTY	5 Years
-----------------	---------

Δ = product color code. See colors

including cable and plug.

3 and 4 light luminaire available on request.

Keylight International reserves the right to modify or change technical, construction or LED specifications due to continuous improvements of our products and lightsources. The light source in this product can be replaced with an equivalent module made by Philips, Osram or Tridonic.



AVAILABLE SLM OPTIONS

To order the correct product, please replace **COB*** in the article number field with the COB code found on the last page of the catalogue

ARTICLE NUMBER	LUMINOUS FLUX	BRAND	OUTPUT POWER	COLOUR TEMPERATURE	CRI	SETTING	POWER FACTOR
4392. COB* .24.Δ	1100	Philips SLM G6	7W	827 / 830 / 835 / 840 / 850	>80	High Efficiency	>0,9
4392. COB* .24.Δ	1100	Philips SLM G6	8W	927 / 930	>90	High Efficiency	>0,9
4392. COB* .24.Δ	1100	Philips SLM G6	7W	830 Premium White	>80	High Efficiency	>0,9
4392. COB* .24.Δ	1100	Philips SLM G6	8W	930 / 935 / 940 Premium White	>90	High Efficiency	>0,9
4392. COB* .24.Δ	1100	Philips SLM G6	10W	930 Crisp White (930 CW)	>90	High Efficiency	>0,9
4392. COB* .24.Δ	1100	Philips SLM G6	11W	Food Warm White (FWW)	84	High Efficiency	>0,9
4392. COB* .24.Δ	1100	Philips SLM G6	11W	Food Premium Red (FPR)	88	High Efficiency	>0,9
4392. COB* .24.Δ	2000	Philips SLM G6	13W	827 / 830 / 835 / 840 / 850	>80	High Efficiency	>0,9
4392. COB* .24.Δ	2000	Philips SLM G6	17W	927 / 930	>90	High Efficiency	>0,9
4392. COB* .24.Δ	2000	Philips SLM G6	14W	830 Premium White	>80	High Efficiency	>0,9
4392. COB* .24.Δ	2000	Philips SLM G6	16W	930 / 935 / 940 Premium White	>90	High Efficiency	>0,9
4392. COB* .24.Δ	2000	Philips SLM G6	21W	930 Crisp White (930 CW)	>90	High Efficiency	>0,9
4392. COB* .24.Δ	2000	Philips SLM G6	23W	Food Warm White (FWW)	84	High Efficiency	>0,9
4392. COB* .24.Δ	2000	Philips SLM G6	22W	Food Premium Red (FPR)	88	High Efficiency	>0,9
4392. COB* .24.Δ	3000	Philips SLM G6	19W	827 / 830 / 835 / 840 / 850 / 857	>80	High Efficiency	>0,9
4392. COB* .24.Δ	3000	Philips SLM G6	26W	927 / 930	>90	High Efficiency	>0,9
4392. COB* .24.Δ	3000	Philips SLM G6	20W	830 Premium White	>80	High Efficiency	>0,9
4392. COB* .24.Δ	3000	Philips SLM G6	25W	930 / 935 / 940 Premium White	>90	High Efficiency	>0,9
4392. COB* .24.Δ	3000	Philips SLM G6	32W	930 Crisp White (930 CW)	>90	High Efficiency	>0,9
4392. COB* .24.Δ	4500	Philips SLM G6	29W	827 / 830 / 835 / 840 / 850 / 857	>80	High Efficiency	>0,9
4392. COB* .24.Δ	4500	Philips SLM G6	30W	830 Premium White	>80	High Efficiency	>0,9

High efficiency is the standard Keylight setting for all SLM G6 LED modules. For technical and warranty information regarding high efficiency, see last page of the catalogue. Standard system warranty is 5 years.



PRODUCT MATERIAL	Die-cast aluminium
LIGHT SOURCE	Core AC 230v
MODULE LIFETIME	Approx. 50.000 hours
LED COOLING	Passive cooling
DRIVER	Not needed. Direct 230V
COLORS (Δ)	○ 3 = RAL 9003 white ● 5 = RAL 9005 black
BEAM ANGLE	24°
ADJUSTABLE	Yes
SIZE	190 X 200 X 163MM



OPTIONS

DIFFUSER	0183.999.99	€	9,50
DIFFUSER W/ HOLE	0189.999.99	€	9,50
OPTIONAL BEAM ANGLE	36° 4023.036.00.0	€	5,00

LUXX 1 AC

INFORMATION

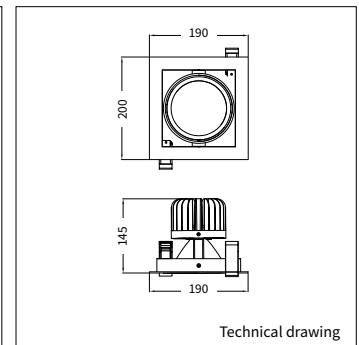
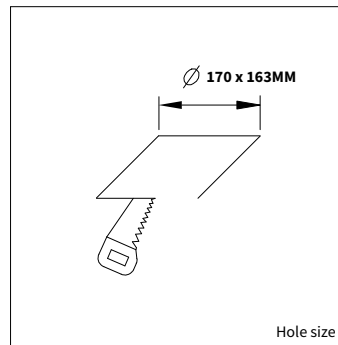
WARRANTY	5 Years
-----------------	---------

Δ = product color code. See colors

- Including cable and plug
- Not dimmable
- Long-life patented LED cooling system.
- Flicker Free**

3 and 4 light luminaire available on request.

Keylight International reserves the right to modify or change technical, construction or LED specifications due to continuous improvements of our products and lightsources.



ART.NR.	LAMP TYPE	BRAND	LUMINOUS FLUX	OUTPUT POWER	MODULE EFFICIENCY	COLOUR TEMPERATURE	CRI	TC LIFETIME	POWER FACTOR
Δ see color									
4397.750.24.Δ	Core AC Pro	Osram	1816LM	20W	100LM/W	3000K	>80	50.000 Hrs	0,98
4397.751.24.Δ	Core AC Pro	Osram	1816LM	20W	103LM/W	4000K	>80	50.000 Hrs	0,98
4397.752.24.Δ	Core AC Pro	Osram	2724LM	33W	90LM/W	3000K	>80	50.000 Hrs	0,98
4397.753.24.Δ	Core AC Pro	Osram	2724LM	33W	93LM/W	4000K	>80	50.000 Hrs	0,98



PRODUCT MATERIAL	Die-cast aluminium
LIGHT SOURCE	Core AC 230v
MODULE LIFETIME	Approx. 50.000 hours
LED COOLING	Passive cooling
DRIVER	Not needed. Direct 230V
COLORS (Δ)	<ul style="list-style-type: none"> ○ 3 = RAL 9003 white ● 5 = RAL 9005 black ● 6 = RAL 9006 alu
BEAM ANGLE	24°
ADJUSTABLE	Yes
SIZE	380 X 145 X 200MM



OPTIONS

DIFFUSER	0183.999.99	€ 19,00
DIFFUSER W/ HOLE	0189.999.99	€ 19,00
OPTIONAL BEAM ANGLE	36° 4023.036.00.0	€ 10,00

LUXX 2 AC

INFORMATION

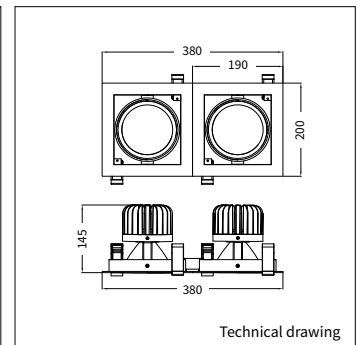
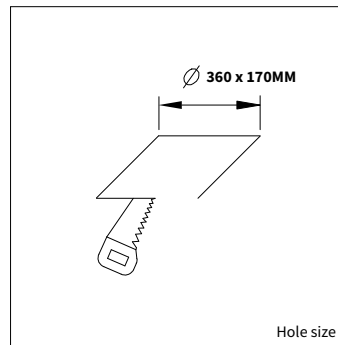
WARRANTY	5 Years
-----------------	---------

Δ = product color code. See colors

Including cable and plug
 Not dimmable
 Long-life patented LED cooling system.
Flicker Free

3 and 4 light luminaire available on request.

Keylight International reserves the right to modify or change technical, construction or LED specifications due to continuous improvements of our products and lightsources.



ART.NR.	LAMP TYPE	BRAND	LUMINOUS FLUX	OUTPUT POWER	MODULE EFFICIENCY	COLOUR TEMPERATURE	CRI	TC LIFETIME	POWER FACTOR
Δ see color									
4398.750.24.Δ	Core AC Pro	Osram	2X 1816LM	2X 20W	100LM/W	2X 3000K	>80	50.000 Hrs	0,98
4398.751.24.Δ	Core AC Pro	Osram	2X 1816LM	2X 20W	103LM/W	2X 4000K	>80	50.000 Hrs	0,98
4398.752.24.Δ	Core AC Pro	Osram	2X 2724LM	2X 33W	90LM/W	2X 3000K	>80	50.000 Hrs	0,98
4398.753.24.Δ	Core AC Pro	Osram	2X 2724LM	2X 33W	93LM/W	2X 4000K	>80	50.000 Hrs	0,98



PRODUCT MATERIAL	Die-cast aluminium
LIGHT SOURCE	SLM G6
MODULE LIFETIME	Approx. 50.000 hours
LED COOLING	Passive cooling
DRIVER	Incl. Xitanium driver.
COLORS (Δ)	○ 3 = RAL 9003 white ● 5 = RAL 9005 black
BEAM ANGLE	24°
ADJUSTABLE	Yes
SIZE	190 X 200 X 163MM



OPTIONS

EMERGENCY BALLAST	0187.003.01 - 1 hours.	€ 180,00
DIFFUSER	0183.999.99	€ 9,50
DIFFUSER W/ HOLE	0189.999.99	€ 9,50
DIMMABLE	Dimmable DALI	€ 60,00
OPTIONAL BEAM ANGLE	36° 4023.036.00.0	€ 5,00

LUXX 1

INFORMATION

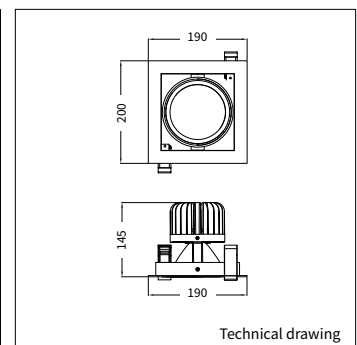
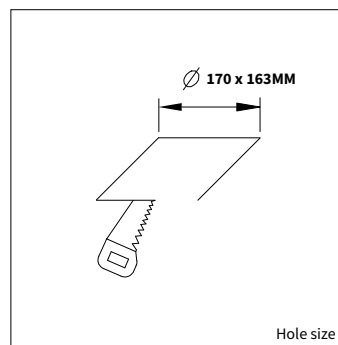
WARRANTY	5 Years
-----------------	---------

Δ = product color code. See colors

including cable and plug.

3 and 4 light luminaire available on request.

Keylight International reserves the right to modify or change technical, construction or LED specifications due to continuous improvements of our products and light sources. The light source in this product can be replaced with an equivalent module made by Philips, Osram or Tridonic.



AVAILABLE SLM OPTIONS

To order the correct product, please replace **COB*** in the article number field with the COB code found on the last page of the catalogue

ARTICLE NUMBER	LUMINOUS FLUX	BRAND	OUTPUT POWER	COLOUR TEMPERATURE	CRI	SETTING	POWER FACTOR
Δ See colors							
4394. COB* .24.Δ	1100	Philips SLM G6	7W	827 / 830 / 835 / 840 / 850	>80	High Efficiency	>0,9
4394. COB* .24.Δ	1100	Philips SLM G6	8W	927 / 930	>90	High Efficiency	>0,9
4394. COB* .24.Δ	1100	Philips SLM G6	7W	830 Premium White	>80	High Efficiency	>0,9
4394. COB* .24.Δ	1100	Philips SLM G6	8W	930 / 935 / 940 Premium White	>90	High Efficiency	>0,9
4394. COB* .24.Δ	1100	Philips SLM G6	10W	930 Crisp White (930 CW)	>90	High Efficiency	>0,9
4394. COB* .24.Δ	1100	Philips SLM G6	11W	Food Warm White (FWW)	84	High Efficiency	>0,9
4394. COB* .24.Δ	1100	Philips SLM G6	11W	Food Premium Red (FPR)	88	High Efficiency	>0,9
4394. COB* .24.Δ	2000	Philips SLM G6	13W	827 / 830 / 835 / 840 / 850	>80	High Efficiency	>0,9
4394. COB* .24.Δ	2000	Philips SLM G6	17W	927 / 930	>90	High Efficiency	>0,9
4394. COB* .24.Δ	2000	Philips SLM G6	14W	830 Premium White	>80	High Efficiency	>0,9
4394. COB* .24.Δ	2000	Philips SLM G6	16W	930 / 935 / 940 Premium White	>90	High Efficiency	>0,9
4394. COB* .24.Δ	2000	Philips SLM G6	21W	930 Crisp White (930 CW)	>90	High Efficiency	>0,9
4394. COB* .24.Δ	2000	Philips SLM G6	23W	Food Warm White (FWW)	84	High Efficiency	>0,9
4394. COB* .24.Δ	2000	Philips SLM G6	22W	Food Premium Red (FPR)	88	High Efficiency	>0,9
4394. COB* .24.Δ	3000	Philips SLM G6	19W	827 / 830 / 835 / 840 / 850 / 857	>80	High Efficiency	>0,9
4394. COB* .24.Δ	3000	Philips SLM G6	26W	927 / 930	>90	High Efficiency	>0,9
4394. COB* .24.Δ	3000	Philips SLM G6	20W	830 Premium White	>80	High Efficiency	>0,9
4394. COB* .24.Δ	3000	Philips SLM G6	25W	930 / 935 / 940 Premium White	>90	High Efficiency	>0,9
4394. COB* .24.Δ	3000	Philips SLM G6	32W	930 Crisp White (930 CW)	>90	High Efficiency	>0,9
4394. COB* .24.Δ	4500	Philips SLM G6	29W	827 / 830 / 835 / 840 / 850 / 857	>80	High Efficiency	>0,9
4394. COB* .24.Δ	4500	Philips SLM G6	30W	830 Premium White	>80	High Efficiency	>0,9

High efficiency is the standard Keylight setting for all SLM G6 LED modules. For technical and warranty information regarding high efficiency, see last page of the catalogue. Standard system warranty is 5 years.



LUXX 2

PRODUCT MATERIAL	Die-cast aluminium
LIGHT SOURCE	SLM G6
MODULE LIFETIME	Approx. 50.000 hours
LED COOLING	Passive cooling
DRIVER	Incl. Xitanium driver.
COLORS (Δ)	○ 3 = RAL 9003 white ● 5 = RAL 9005 black
BEAM ANGLE	▲ 24°
ADJUSTABLE	Yes
SIZE	380 X 145 X 200MM



OPTIONS

EMERGENCY BALLAST	0187.003.01 - 1 hours.	€ 180,00
DIFFUSER	0183.999.99	€ 19,00
DIFFUSER W/ HOLE	0189.999.99	€ 19,00
DIMMABLE	Dimmable DALI	€ 120,00
OPTIONAL BEAM ANGLE	▲ 36° 4023.036.00.0	€ 10,00

LUXX 2

INFORMATION

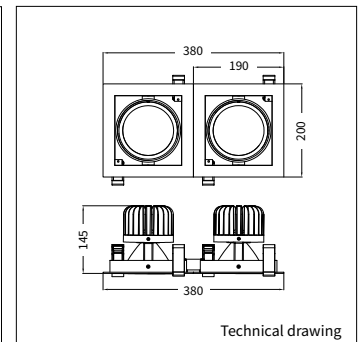
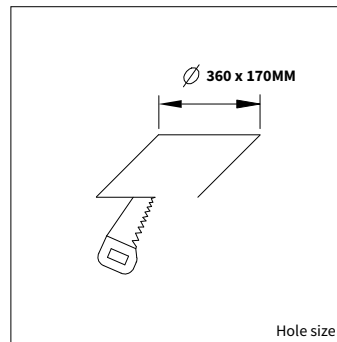
WARRANTY	5 Years
-----------------	---------

Δ = product color code. See colors

including cable and plug.

3 and 4 light luminaire available on request.

Keylight International reserves the right to modify or change technical, construction or LED specifications due to continuous improvements of our products and light sources. The light source in this product can be replaced with an equivalent module made by Philips, Osram or Tridonic.



AVAILABLE SLM OPTIONS

To order the correct product, please replace **COB*** in the article number field with the COB code found on the last page of the catalogue

ARTICLE NUMBER	LUMINOUS FLUX	BRAND	OUTPUT POWER	COLOUR TEMPERATURE	CRI	SETTING	POWER FACTOR
4395. COB* .24.Δ	1100	Philips SLM G6	7W	827 / 830 / 835 / 840 / 850	>80	High Efficiency	>0,9
4395. COB* .24.Δ	1100	Philips SLM G6	8W	927 / 930	>90	High Efficiency	>0,9
4395. COB* .24.Δ	1100	Philips SLM G6	7W	830 Premium White	>80	High Efficiency	>0,9
4395. COB* .24.Δ	1100	Philips SLM G6	8W	930 / 935 / 940 Premium White	>90	High Efficiency	>0,9
4395. COB* .24.Δ	1100	Philips SLM G6	10W	930 Crisp White (930 CW)	>90	High Efficiency	>0,9
4395. COB* .24.Δ	1100	Philips SLM G6	11W	Food Warm White (FWW)	84	High Efficiency	>0,9
4395. COB* .24.Δ	1100	Philips SLM G6	11W	Food Premium Red (FPR)	88	High Efficiency	>0,9
4395. COB* .24.Δ	2000	Philips SLM G6	13W	827 / 830 / 835 / 840 / 850	>80	High Efficiency	>0,9
4395. COB* .24.Δ	2000	Philips SLM G6	17W	927 / 930	>90	High Efficiency	>0,9
4395. COB* .24.Δ	2000	Philips SLM G6	14W	830 Premium White	>80	High Efficiency	>0,9
4395. COB* .24.Δ	2000	Philips SLM G6	16W	930 / 935 / 940 Premium White	>90	High Efficiency	>0,9
4395. COB* .24.Δ	2000	Philips SLM G6	21W	930 Crisp White (930 CW)	>90	High Efficiency	>0,9
4395. COB* .24.Δ	2000	Philips SLM G6	23W	Food Warm White (FWW)	84	High Efficiency	>0,9
4395. COB* .24.Δ	2000	Philips SLM G6	22W	Food Premium Red (FPR)	88	High Efficiency	>0,9
4395. COB* .24.Δ	3000	Philips SLM G6	19W	827 / 830 / 835 / 840 / 850 / 857	>80	High Efficiency	>0,9
4395. COB* .24.Δ	3000	Philips SLM G6	26W	927 / 930	>90	High Efficiency	>0,9
4395. COB* .24.Δ	3000	Philips SLM G6	20W	830 Premium White	>80	High Efficiency	>0,9
4395. COB* .24.Δ	3000	Philips SLM G6	25W	930 / 935 / 940 Premium White	>90	High Efficiency	>0,9
4395. COB* .24.Δ	3000	Philips SLM G6	32W	930 Crisp White (930 CW)	>90	High Efficiency	>0,9
4395. COB* .24.Δ	4500	Philips SLM G6	29W	827 / 830 / 835 / 840 / 850 / 857	>80	High Efficiency	>0,9
4395. COB* .24.Δ	4500	Philips SLM G6	30W	830 Premium White	>80	High Efficiency	>0,9

High efficiency is the standard Keylight setting for all SLM G6 LED modules. For technical and warranty information regarding high efficiency, see last page of the catalogue. Standard system warranty is 5 years.

POXY 1



PRODUCT MATERIAL	Steel and aluminium
LIGHT SOURCE	SLM G6
MODULE LIFETIME	Approx. 50.000 hours
LED COOLING	Passive cooling
DRIVER	Incl. Xitanium driver.
COLORS (Δ)	○ + ● 35 = RAL 9003 + black ● + ● 55 = RAL 9005 + black ● + ● 65 = RAL 9006 + black
BEAM ANGLE	Glossy
ADJUSTABLE	Yes
SIZE	158 X 158 X 130MM



OPTIONS

COLORS	Available in all RAL colours on request.		
	Additional price + 10%		
EMERGENCY BALLAST	0187.003.01 1 hour	€	180,00
DIMMABLE	Dimmable DALI	€	60,00
BEAM ANGLE	45° Matte reflector		On request

POXY 1

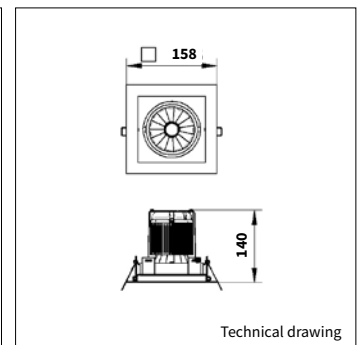
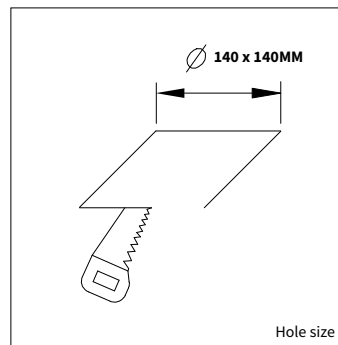
INFORMATION

WARRANTY	5 Years
-----------------	---------

Δ = product color code. See colors including cable and plug.

- This luminaire can be customized with different RAL color combinations. For example: White inside and black as the outer frame color.
- 3 and 4 light luminaire available on request.

Keylight International reserves the right to modify or change technical, construction or LED specifications due to continuous improvements of our products and light sources. The light source in this product can be replaced with an equivalent module made by Philips, Osram or Tridonic.



AVAILABLE SLM OPTIONS

To order the correct product, please replace **COB*** in the article number field with the COB code found on the last page of the catalogue

ARTICLE NUMBER	LUMINOUS FLUX	BRAND	OUTPUT POWER	COLOUR TEMPERATURE	CRI	SETTING	POWER FACTOR
4158.COB*.24.Δ	1100	Philips SLM G6	7W	827 / 830 / 835 / 840 / 850	>80	High Efficiency	>0,9
4158.COB*.24.Δ	1100	Philips SLM G6	8W	927 / 930	>90	High Efficiency	>0,9
4158.COB*.24.Δ	1100	Philips SLM G6	7W	830 Premium White	>80	High Efficiency	>0,9
4158.COB*.24.Δ	1100	Philips SLM G6	8W	930 / 935 / 940 Premium White	>90	High Efficiency	>0,9
4158.COB*.24.Δ	1100	Philips SLM G6	10W	930 Crisp White (930 CW)	>90	High Efficiency	>0,9
4158.COB*.24.Δ	1100	Philips SLM G6	11W	Food Warm White (FWW)	84	High Efficiency	>0,9
4158.COB*.24.Δ	1100	Philips SLM G6	11W	Food Premium Red (FPR)	88	High Efficiency	>0,9
4158.COB*.24.Δ	2000	Philips SLM G6	13W	827 / 830 / 835 / 840 / 850	>80	High Efficiency	>0,9
4158.COB*.24.Δ	2000	Philips SLM G6	17W	927 / 930	>90	High Efficiency	>0,9
4158.COB*.24.Δ	2000	Philips SLM G6	14W	830 Premium White	>80	High Efficiency	>0,9
4158.COB*.24.Δ	2000	Philips SLM G6	16W	930 / 935 / 940 Premium White	>90	High Efficiency	>0,9
4158.COB*.24.Δ	2000	Philips SLM G6	21W	930 Crisp White (930 CW)	>90	High Efficiency	>0,9
4158.COB*.24.Δ	2000	Philips SLM G6	23W	Food Warm White (FWW)	84	High Efficiency	>0,9
4158.COB*.24.Δ	2000	Philips SLM G6	22W	Food Premium Red (FPR)	88	High Efficiency	>0,9
4158.COB*.24.Δ	3000	Philips SLM G6	19W	827 / 830 / 835 / 840 / 850 / 857	>80	High Efficiency	>0,9
4158.COB*.24.Δ	3000	Philips SLM G6	26W	927 / 930	>90	High Efficiency	>0,9
4158.COB*.24.Δ	3000	Philips SLM G6	20W	830 Premium White	>80	High Efficiency	>0,9
4158.COB*.24.Δ	3000	Philips SLM G6	25W	930 / 935 / 940 Premium White	>90	High Efficiency	>0,9
4158.COB*.24.Δ	3000	Philips SLM G6	32W	930 Crisp White (930 CW)	>90	High Efficiency	>0,9
4158.COB*.24.Δ	3000	Philips SLM G6	39W	Food Warm White (FWW)	84	High Efficiency	>0,9
4158.COB*.24.Δ	3000	Philips SLM G6	37W	Food Premium Red (FPR)	88	High Efficiency	>0,9
4158.COB*.24.Δ	4500	Philips SLM G6	29W	827 / 830 / 835 / 840 / 850 / 857	>80	High Efficiency	>0,9
4158.COB*.24.Δ	4500	Philips SLM G6	38W	927 / 930	>90	High Efficiency	>0,9
4158.COB*.24.Δ	4500	Philips SLM G6	30W	830 Premium White	>80	High Efficiency	>0,9
4158.COB*.24.Δ	4500	Philips SLM G6	37W	930 / 935 / 940 Premium White	>90	High Efficiency	>0,9

High efficiency is the standard Keylight setting for all SLM G6 LED modules. For technical and warranty information regarding high efficiency, see last page of the catalogue. Standard system warranty is 5 years.



POXY 2

PRODUCT MATERIAL	Steel and aluminium
LIGHT SOURCE	SLM G6
MODULE LIFETIME	Approx. 50.000 hours
LED COOLING	Passive cooling
DRIVER	Incl. Xitanium driver.
COLORS (Δ)	○ + ● 35 = RAL 9003 + black ● + ● 55 = RAL 9005 + black ● + ● 65 = RAL 9006 + black
BEAM ANGLE	Glossy
ADJUSTABLE	Yes
SIZE	275 X 158 X 130MM



OPTIONS

COLORS	Available in all RAL colours on request. Additional price + 10%		
EMERGENCY BALLAST	0187.003.01 1 hour	€	180,00
DIMMABLE	Dimmable DALI	€	60,00
BEAM ANGLE	Matte reflector		On request

POXY 2

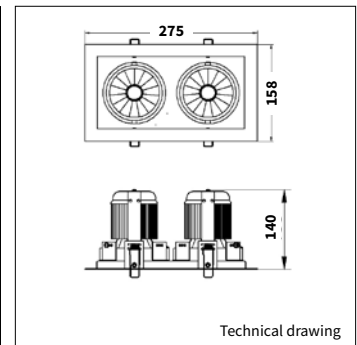
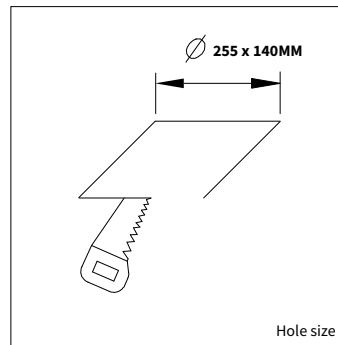
INFORMATION

WARRANTY	5 Years
-----------------	---------

Δ = product color code. See colors including cable and plug.

- This luminaire can be customized with different RAL color combinations. For example: White inside and black as the outer frame color.
- 3 and 4 light luminaire available on request.

Keylight International reserves the right to modify or change technical, construction or LED specifications due to continuous improvements of our products and light sources. The light source in this product can be replaced with an equivalent module made by Philips, Osram or Tridonic.



AVAILABLE SLM OPTIONS

To order the correct product, please replace **COB*** in the article number field with the COB code found on the last page of the catalogue

ARTICLE NUMBER Δ See colors	LUMINOUS FLUX	BRAND	OUTPUT POWER	COLOUR TEMPERATURE	CRI	SETTING	POWER FACTOR
4175.COB*.24.Δ	2X 1100	Philips SLM G6	2X 7W	827 / 830 / 835 / 840 / 850	>80	High Efficiency	>0,9
4175.COB*.24.Δ	2X 1100	Philips SLM G6	2X 8W	927 / 930	>90	High Efficiency	>0,9
4175.COB*.24.Δ	2X 1100	Philips SLM G6	2X 7W	830 Premium White	>80	High Efficiency	>0,9
4175.COB*.24.Δ	2X 1100	Philips SLM G6	2X 8W	930 / 935 / 940 Premium White	>90	High Efficiency	>0,9
4175.COB*.24.Δ	2X 1100	Philips SLM G6	2X 10W	930 Crisp White (930 CW)	>90	High Efficiency	>0,9
4175.COB*.24.Δ	2X 1100	Philips SLM G6	2X 11W	Food Warm White (FWW)	84	High Efficiency	>0,9
4175.COB*.24.Δ	2X 1100	Philips SLM G6	2X 11W	Food Premium Red (FPR)	88	High Efficiency	>0,9
4175.COB*.24.Δ	2X 2000	Philips SLM G6	2X 13W	827 / 830 / 835 / 840 / 850	>80	High Efficiency	>0,9
4175.COB*.24.Δ	2X 2000	Philips SLM G6	2X 17W	927 / 930	>90	High Efficiency	>0,9
4175.COB*.24.Δ	2X 2000	Philips SLM G6	2X 14W	830 Premium White	>80	High Efficiency	>0,9
4175.COB*.24.Δ	2X 2000	Philips SLM G6	2X 16W	930 / 935 / 940 Premium White	>90	High Efficiency	>0,9
4175.COB*.24.Δ	2X 2000	Philips SLM G6	2X 21W	930 Crisp White (930 CW)	>90	High Efficiency	>0,9
4175.COB*.24.Δ	2X 2000	Philips SLM G6	2X 23W	Food Warm White (FWW)	84	High Efficiency	>0,9
4175.COB*.24.Δ	2X 2000	Philips SLM G6	2X 22W	Food Premium Red (FPR)	88	High Efficiency	>0,9
4175.COB*.24.Δ	2X 3000	Philips SLM G6	2X 19W	827 / 830 / 835 / 840 / 850 / 857	>80	High Efficiency	>0,9
4175.COB*.24.Δ	2X 3000	Philips SLM G6	2X 26W	927 / 930	>90	High Efficiency	>0,9
4175.COB*.24.Δ	2X 3000	Philips SLM G6	2X 20W	830 Premium White	>80	High Efficiency	>0,9
4175.COB*.24.Δ	2X 3000	Philips SLM G6	2X 25W	930 / 935 / 940 Premium White	>90	High Efficiency	>0,9
4175.COB*.24.Δ	2X 3000	Philips SLM G6	2X 32W	930 Crisp White (930 CW)	>90	High Efficiency	>0,9
4175.COB*.24.Δ	2X 3000	Philips SLM G6	2X 39W	Food Warm White (FWW)	84	High Efficiency	>0,9
4175.COB*.24.Δ	2X 3000	Philips SLM G6	2X 37W	Food Premium Red (FPR)	88	High Efficiency	>0,9
4175.COB*.24.Δ	2X 4500	Philips SLM G6	2X 29W	827 / 830 / 835 / 840 / 850 / 857	>80	High Efficiency	>0,9
4175.COB*.24.Δ	2X 4500	Philips SLM G6	2X 38W	927 / 930	>90	High Efficiency	>0,9
4175.COB*.24.Δ	2X 4500	Philips SLM G6	2X 30W	830 Premium White	>80	High Efficiency	>0,9
4175.COB*.24.Δ	2X 4500	Philips SLM G6	2X 37W	930 / 935 / 940 Premium White	>90	High Efficiency	>0,9

High efficiency is the standard Keylight setting for all SLM G6 LED modules. For technical and warranty information regarding high efficiency, see last page of the catalogue. Standard system warranty is 5 years.



PRODUCT MATERIAL	Aluminium
LIGHT SOURCE	SLM G6
MODULE LIFETIME	Approx. 50.000 hours
LED COOLING	Passive cooling
DRIVER	Incl. standard Xitanium driver.
COLORS (Δ)	○ 3 = RAL 9003 white
BEAM ANGLE	77°
ADJUSTABLE	Yes
SIZE	180 X 130 X 100MM



OPTIONS

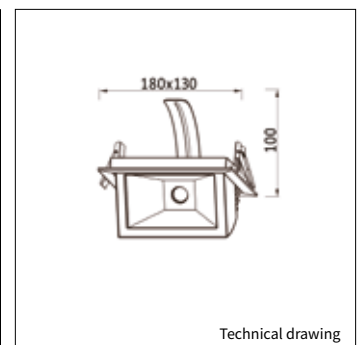
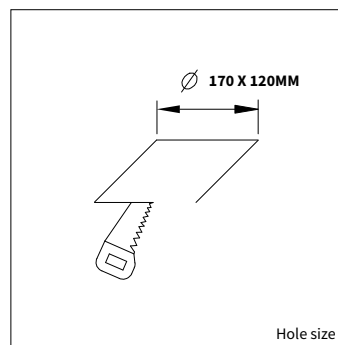
DIMMABLE	Dimmable DALI	€ 60,00
EMERGENCY BALLAST	0187.003.01 - 1 hours.	€ 180,00

INFORMATION

WARRANTY	5 Years
-----------------	---------

Keylight International reserves the right to modify or change technical, construction or LED specifications due to continuous improvements of our products and light sources. The light source in this product can be replaced with an equivalent module made by Philips, Osram or Tridonic.

FOX



AVAILABLE SLM OPTIONS

To order the correct product, please replace **COB*** in the article number field with the COB code found on the last page of the catalogue

ARTICLE NUMBER Δ See colors	LUMINOUS FLUX	BRAND	OUTPUT POWER	COLOUR TEMPERATURE	CRI	SETTING	POWER FACTOR
4411.COB*.77.3	1100	Philips SLM G6	7W	827 / 830 / 835 / 840 / 850	>80	High Efficiency	>0,9
4411.COB*.77.3	1100	Philips SLM G6	8W	927 / 930	>90	High Efficiency	>0,9
4411.COB*.77.3	1100	Philips SLM G6	7W	830 Premium White	>80	High Efficiency	>0,9
4411.COB*.77.3	1100	Philips SLM G6	8W	930 / 935 / 940 Premium White	>90	High Efficiency	>0,9
4411.COB*.77.3	1100	Philips SLM G6	10W	930 Crisp White (930 CW)	>90	High Efficiency	>0,9
4411.COB*.77.3	1100	Philips SLM G6	11W	Food Warm White (FWW)	84	High Efficiency	>0,9
4411.COB*.77.3	1100	Philips SLM G6	11W	Food Premium Red (FPR)	88	High Efficiency	>0,9
4411.COB*.77.3	2000	Philips SLM G6	13W	827 / 830 / 835 / 840 / 850	>80	High Efficiency	>0,9
4411.COB*.77.3	2000	Philips SLM G6	17W	927 / 930	>90	High Efficiency	>0,9
4411.COB*.77.3	2000	Philips SLM G6	14W	830 Premium White	>80	High Efficiency	>0,9
4411.COB*.77.3	2000	Philips SLM G6	16W	930 / 935 / 940 Premium White	>90	High Efficiency	>0,9
4411.COB*.77.3	2000	Philips SLM G6	21W	930 Crisp White (930 CW)	>90	High Efficiency	>0,9
4411.COB*.77.3	2000	Philips SLM G6	23W	Food Warm White (FWW)	84	High Efficiency	>0,9
4411.COB*.77.3	2000	Philips SLM G6	22W	Food Premium Red (FPR)	88	High Efficiency	>0,9
4411.COB*.77.3	3000	Philips SLM G6	19W	827 / 830 / 835 / 840 / 850 / 857	>80	High Efficiency	>0,9
4411.COB*.77.3	3000	Philips SLM G6	26W	927 / 930	>90	High Efficiency	>0,9
4411.COB*.77.3	3000	Philips SLM G6	20W	830 Premium White	>80	High Efficiency	>0,9
4411.COB*.77.3	3000	Philips SLM G6	25W	930 / 935 / 940 Premium White	>90	High Efficiency	>0,9
4411.COB*.77.3	4000	Philips SLM G6	29W	827 / 830 / 835 / 840 / 850 / 857	>80	High Efficiency	>0,9

High efficiency is the standard Keylight setting for all SLM G6 LED modules. For technical and warranty information regarding high efficiency, see last page of the catalogue. Standard system warranty is 5 years.



LENNOX 13

PRODUCT MATERIAL	Steel and aluminium
LIGHT SOURCE	SLM G6
MODULE LIFETIME	Approx. 50.000 hours
LED COOLING	Passive cooling
DRIVER	Incl. standard Xitanium driver.
COLORS (Δ)	<ul style="list-style-type: none"> ○ 3 = RAL 9003 white ● 5 = RAL 9005 black ● 6 = RAL 9006 alu
BEAM ANGLE	
ADJUSTABLE	No
SIZE	126 X 126 X 109MM



OPTIONS

COLORS	Available in all RAL colours on request Additional price + 10%	
DIMMABLE	Dimmable DALI	€ 60,00
EMERGENCY BALLAST	0187.003.01 - 1 hours.	€ 180,00
IP DIFFUSER	IP44 diffuser (on request)	

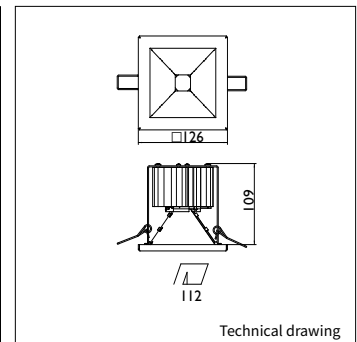
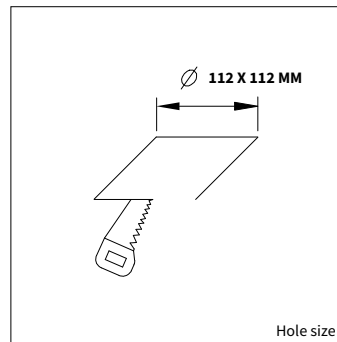
LENNOX 13

INFORMATION

WARRANTY	5 Years
-----------------	---------

Δ see colors

Keylight International reserves the right to modify or change technical, construction or LED specifications due to continuous improvements of our products and light sources. The light source in this product can be replaced with an equivalent module made by Philips, Osram or Tridonic.



AVAILABLE SLM OPTIONS

To order the correct product, please replace **COB*** in the article number field with the COB code found on the last page of the catalogue

ARTICLE NUMBER	LUMINOUS FLUX	BRAND	OUTPUT POWER	COLOUR TEMPERATURE	CRI	SETTING	POWER FACTOR
4410. COB* .24.Δ	1100	Philips SLM G6	7W	827 / 830 / 835 / 840 / 850	>80	High Efficiency	>0,9
4410. COB* .24.Δ	1100	Philips SLM G6	8W	927 / 930	>90	High Efficiency	>0,9
4410. COB* .24.Δ	1100	Philips SLM G6	7W	830 Premium White	>80	High Efficiency	>0,9
4410. COB* .24.Δ	1100	Philips SLM G6	8W	930 / 935 / 940 Premium White	>90	High Efficiency	>0,9
4410. COB* .24.Δ	1100	Philips SLM G6	10W	930 Crisp White (930 CW)	>90	High Efficiency	>0,9
4410. COB* .24.Δ	1100	Philips SLM G6	11W	Food Warm White (FWW)	84	High Efficiency	>0,9
4410. COB* .24.Δ	1100	Philips SLM G6	11W	Food Premium Red (FPR)	88	High Efficiency	>0,9
4410. COB* .24.Δ	2000	Philips SLM G6	13W	827 / 830 / 835 / 840 / 850	>80	High Efficiency	>0,9
4410. COB* .24.Δ	2000	Philips SLM G6	17W	927 / 930	>90	High Efficiency	>0,9
4410. COB* .24.Δ	2000	Philips SLM G6	14W	830 Premium White	>80	High Efficiency	>0,9
4410. COB* .24.Δ	2000	Philips SLM G6	16W	930 / 935 / 940 Premium White	>90	High Efficiency	>0,9
4410. COB* .24.Δ	2000	Philips SLM G6	21W	930 Crisp White (930 CW)	>90	High Efficiency	>0,9
4410. COB* .24.Δ	2000	Philips SLM G6	23W	Food Warm White (FWW)	84	High Efficiency	>0,9
4410. COB* .24.Δ	2000	Philips SLM G6	22W	Food Premium Red (FPR)	88	High Efficiency	>0,9
4410. COB* .24.Δ	3000	Philips SLM G6	19W	827 / 830 / 835 / 840 / 850 / 857	>80	High Efficiency	>0,9
4410. COB* .24.Δ	3000	Philips SLM G6	26W	927 / 930	>90	High Efficiency	>0,9
4410. COB* .24.Δ	3000	Philips SLM G6	20W	830 Premium White	>80	High Efficiency	>0,9
4410. COB* .24.Δ	3000	Philips SLM G6	25W	930 / 935 / 940 Premium White	>90	High Efficiency	>0,9

1 High efficiency is the standard Keylight setting for all SLM G6 LED modules. For technical and warranty information regarding high efficiency, see last page of the catalogue. Standard system warranty is 5 years.



QUAD 18

PRODUCT MATERIAL	Die-cast aluminium + alu
LIGHT SOURCE	DLM Flex / DLM Ease Select AC
MODULE LIFETIME	DLM Flex 60.000 Hrs / DLM ES 50.000 Hrs
LED COOLING	Passive cooling
DRIVER DLM	Incl. standard xitanium driver / AC
COLORS Δ	<ul style="list-style-type: none"> ● 3 = RAL 9003 black ○ 5 = RAL 9005 white
BEAM ANGLE	
ADJUSTABLE	No
SIZE	176 X 176 X 149MM



OPTIONS (DLM FLEX ONLY)

EMERGENCY BALLAST	0187.003.01 - 1 hours. DLM Flex	€ 180,00
DIMMABLE	Dimmable DALI. DLM Flex	€ 60,00

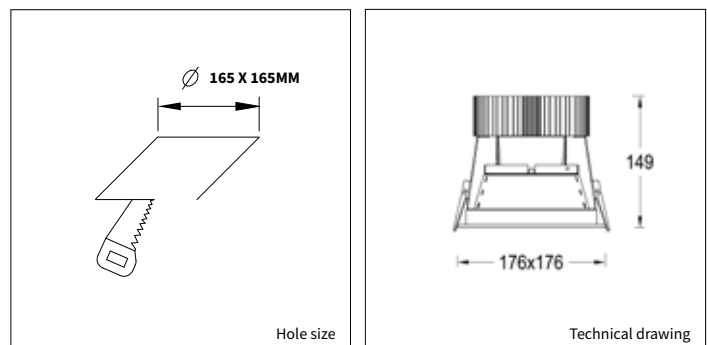
INFORMATION

WARRANTY	5 Years
-----------------	---------

QUAD 18

The reflector is made of high quality 320 Alanod material. including cable and plug. High Housing

Keylight International reserves the right to modify or change technical, construction or LED specifications due to continuous improvements of our products and lightsources.



FORTIMO DLM EASE SELECT G1

Different lumen output or wattages available on request

ART.NR.	LUMEN	PHILIPS FORTIMO DLM ES G1	HOUSING	LUMINOUS FLUX	MODULE EFFICIENCY	OUTPUT POWER	COLOUR TEMPERATURE	CRI	INPUT VOLTAGE	TC	POWER FACTOR	TC LIFETIME
4407.281.80 Δ	1100	FORTIMO DLM ES 830	Low	1080LM	114LM/W	10W	3000K	>80	230V	85°C	>0,9	50.000 Hrs
4407.282.80 Δ	1100	FORTIMO DLM ES 840	Low	1100LM	116LM/W	10W	4000K	>80	230V	85°C	>0,9	50.000 Hrs
4407.283.80 Δ	2000	FORTIMO DLM ES 830	Low	1930LM	110LM/W	18W	3000K	>80	230V	85°C	>0,9	50.000 Hrs
4407.284.80 Δ	2000	FORTIMO DLM ES 840	Low	2000LM	114LM/W	18W	4000K	>80	230V	85°C	>0,9	50.000 Hrs
4407.285.80 Δ	3000	FORTIMO DLM ES 830	Low	2850LM	108LM/W	26.5W	3000K	>80	230V	85°C	>0,9	50.000 Hrs
4407.286.80 Δ	3000	FORTIMO DLM ES 840	Low	3000LM	108LM/W	26.5W	4000K	>80	230V	85°C	>0,9	50.000 Hrs

High efficiency is the standard Keylight setting for all DLM G2 LED modules. For technical and warranty information regarding high efficiency, see page 300. Standard system warranty is 5 years.

FORTIMO DLM FLEX G2

Different lumen output or wattages available on request

ART.NR.	LUMEN	PHILIPS FORTIMO DLM G2	HOUSING	LUMINOUS FLUX	MODULE EFFICIENCY	OUTPUT POWER	COLOUR TEMPERATURE	CRI	INPUT VOLTAGE	TC	POWER FACTOR	TC LIFETIME
4408.101.80 Δ	1100	DLM FLEX 830 G2	Low	1075LM	115LM/W	9.8W	3000K	>80	34V	85°C	>0,9	60.000 Hrs
4408.102.80 Δ	1100	DLM FLEX 840 G2	Low	1075LM	127LM/W	8.6W	4000K	>80	34V	85°C	>0,9	60.000 Hrs
4408.103.80 Δ	2000	DLM FLEX 830 G2	Low	1954LM	113LM/W	17.6W	3000K	>80	34V	85°C	>0,9	60.000 Hrs
4408.104.80 Δ	2000	DLM FLEX 840 G2	Low	1954LM	125LM/W	16.0W	4000K	>80	34V	85°C	>0,9	60.000 Hrs
4408.105.80 Δ	3000	DLM FLEX 830 G2	Low	2931LM	115LM/W	26.8W	3000K	>80	34V	85°C	>0,9	60.000 Hrs
4408.106.80 Δ	3000	DLM FLEX 840 G2	Low	2931LM	127LM/W	23.4W	4000K	>80	34V	85°C	>0,9	60.000 Hrs

High efficiency is the standard Keylight setting for all DLM G2 LED modules. For technical and warranty information regarding high efficiency, see page 300. Standard system warranty is 5 years.



BODY 30

PRODUCT MATERIAL	Steel and aluminium
LIGHT SOURCE	Philips LED
MODULE LIFETIME	Approx. 50.000 hours
LED COOLING	Passive cooling
DRIVER	Incl. standard Philips driver.
COLORS (Δ)	<ul style="list-style-type: none"> ○ 3 = RAL 9003 white ● 5 = RAL 9005 black ● 6 = RAL 9006 alu
REFLECTOR PLATE	Opal diffuser
ADJUSTABLE	No
SIZE	298 X 298 X 70MM



OPTIONS

COLORS	Available in all RAL colours on request	
	Additional price + 10%	
DIMMABLE	Dimmable DALI	€ 60,00
EMERGENCY BALLAST	0187.003.01 - 1 hours.	€ 180,00

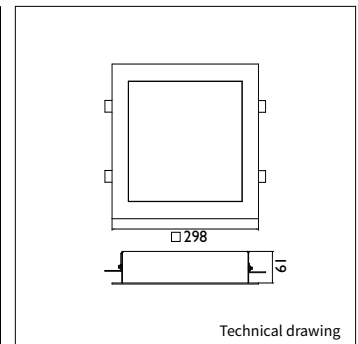
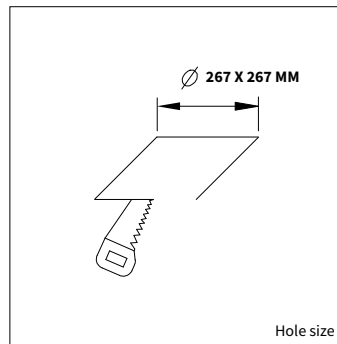
BODY 30

INFORMATION

WARRANTY	5 Years
-----------------	---------

Δ see colors

Keylight International reserves the right to modify or change technical, construction or LED specifications due to continuous improvements of our products and light sources. The light source in this product can be replaced with an equivalent module made by Philips, Osram or Tridonic.



ART.NR.	LAMP TYPE	BRAND	LUMINOUS FLUX	OUTPUT POWER	MODULE EFFICIENCY	COLOUR TEMPERATURE	CRI	TC LIFETIME	POWER FACTOR
Δ see color									
4404.183.91Δ	LED plate	Philips	2300LM	21W	110LM/W	3000K	>80	50.000 Hrs	>0,9
4404.184.91Δ	LED plate	Philips	2500LM	21W	110LM/W	4000K	>80	50.000 Hrs	>0,9



INSERT 60

PRODUCT MATERIAL	Aluminium
LIGHT SOURCE	Philips LED Strip
DRIVER	Philips Xitanium driver
COLORS (Δ)	○ 3 = RAL 9010 White
ADJUSTABLE	No
SIZE	595 X 595 X 55MM

OPTIONS

DIMMABLE	On request
-----------------	------------

INFORMATION

WARRANTY	5 years warranty
-----------------	------------------

Incl. GST18/3

Incl. Prisma Cover UGR <19

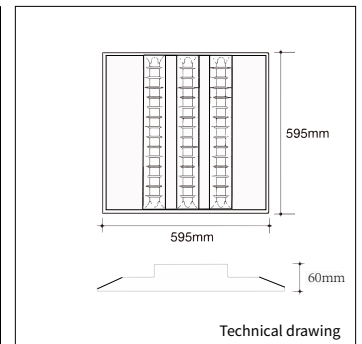
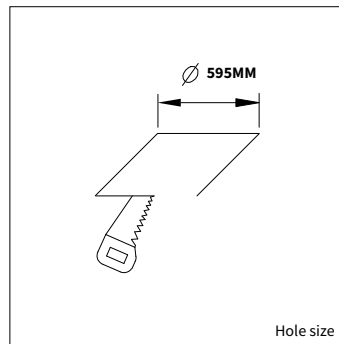
Reflector Mat Parabol

This luminaire is also available with a variety of LED solutions from Philips. For more information please contact our sales department.

Keylight International reserves the right to modify or change technical, construction or LED specifications due to continuous improvements of our products and light sources. The light source in this product can be replaced with an equivalent module made by Philips, Osram or Tridonic.



INSERT 60



ART.NR.	LAMP TYPE	BRAND	LUMINOUS FLUX	OUTPUT POWER	MODULE EFFICIENCY	COLOUR TEMPERATURE	CRI	TC LIFETIME
4741.193.99.3	LED Line	Philips	4620LM	54W	86LM/W	4000K	>80	50.000 Hrs



INSERT FLAT

PRODUCT MATERIAL	Aluminium and Polycarbonate
LIGHT SOURCE	LG LED
DRIVER	Integrated LG Driver
COLORS (Δ)	○ 3 = RAL 9010 White
ADJUSTABLE	No
SIZE	595 X 595 X 55MM

OPTIONS

SUSPENSION SET 3M	9160.995.99.3 (4x)	€ 36,00
--------------------------	--------------------	---------

INFORMATION

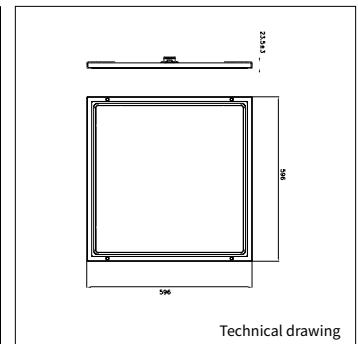
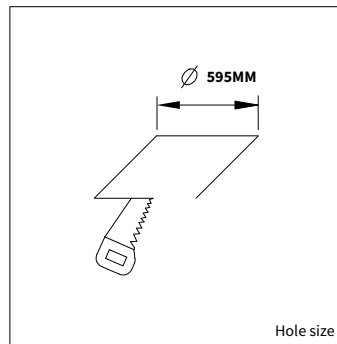
WARRANTY	5 years warranty
-----------------	------------------

Including cable and plug
Low UGR

Keylight International reserves the right to modify or change technical, construction or LED specifications due to continuous improvements of our products and lightsources.



INSERT FLAT



ART.NR.	LAMP TYPE	BRAND	LUMINOUS FLUX	OUTPUT POWER	MODULE EFFICIENCY	COLOUR TEMPERATURE	CRI	TC LIFETIME	POWER FACTOR
4742.300.36.3	LED	LG	3500LM	36W	97LM/W	3000K	>80	60.000 Hrs	0,98
4742.400.36.3	LED	LG	3700LM	36W	102LM/W	4000K	>80	60.000 Hrs	0,98



SURFACE ROUND



LOOK
PAGE 122



LOOK TOO
PAGE 123



PIPA
PAGE 124



TUBE
PAGE 125



BUSS 12
PAGE 126



BUSS 19
PAGE 127



MALIBU 17
PAGE 128



SOL 17
PAGE 129



CASK
PAGE 130



ORBIT 20
PAGE 132



ORBIT SERIES
PAGE 133 - 137



ORBIT S 50 UP/DN
PAGE 135



METEOR 20
PAGE 138



METEOR 30
PAGE 139

INTERIOR SURFACE ROUND

BUSS 12	PAGE 126
BUSS 19	PAGE 127
CASK	PAGE 130
LOOK	PAGE 122
LOOK TOO	PAGE 123
MALIBU 17	PAGE 128
METEOR 20	PAGE 138
METEOR 30	PAGE 139
ORBIT SERIES	PAGE 133 - 137
ORBIT S 50 UP/DN	PAGE 135
PIPA	PAGE 124
SOL 17	PAGE 129
TUBE	PAGE 125



LOOK

PRODUCT MATERIAL	Die-cast aluminium
LIGHT SOURCE	V8 Array
MODULE LIFETIME	Approx. 30.000 hours
LED COOLING	Passive cooling
DRIVER	Incl. standard driver
COLORS (Δ)	<ul style="list-style-type: none"> ● 5 = RAL 9005 black ● 88 = Chrome* ● + ○ 35 = Black & white ● + ● 65 = Gray & black
BEAM ANGLE	30°
ADJUSTABLE	350° rotational 90° rotational spot head
SIZE	100 X 103MM. See technical drawing



OPTIONS

DIMMABLE	Dimmable 1/10v 500mA 10W (build-in) art. no.: 0110.500.10	€ 55,00
-----------------	--	---------

INFORMATION

WARRANTY	2 Years
-----------------	---------

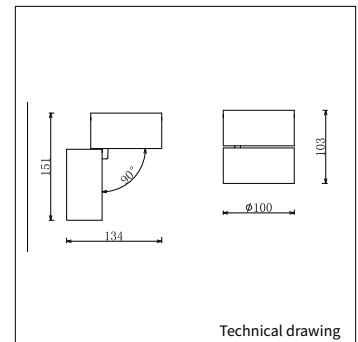
* This color is only available on request. Ask our sales department for more information

Δ = product color code. See colors

Keylight International reserves the right to modify or change technical, construction or LED specifications due to continuous improvements of our products and lightsources.



LOOK



ART.NR.	LAMP TYPE	BRAND	LUMINOUS FLUX	OUTPUT POWER	MODULE EFFICIENCY	COLOUR TEMPERATURE	CRI	TC LIFETIME	mA
Δ see colors									
6020.027.23.Δ	V8 Array	Bridgelux	970LM	9.3W	113LM/W	2700K	>80	30.000 Hrs	500mA
6021.027.23.Δ (dimmbale)	V8 Array	Bridgelux	970LM	9.3W	113LM/W	2700K	>80	30.000 Hrs	500mA



NEW
LOOK TOO

PRODUCT MATERIAL	Die-cast aluminium
LIGHT SOURCE	V8 Array
MODULE LIFETIME	Approx. 30.000 hours
LED COOLING	Passive cooling
DRIVER	Incl. standard driver
COLORS (Δ)	● 5 = RAL 9005 black ○ + ● 35 = White black
BEAM ANGLE	▲ 33°
ADJUSTABLE	350° rotational 90° rotational spot head
SIZE	212 X 100 X 103MM



INFORMATION

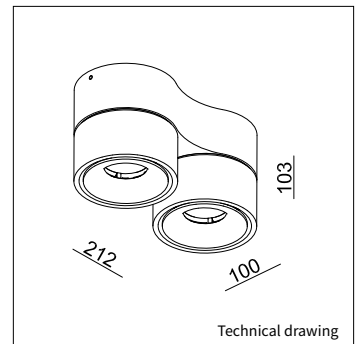
WARRANTY	3 Years
-----------------	---------

Δ = product color code. See colors

Incl. Dimmable driver. Phase-cut

Keylight International reserves the right to modify or change technical, construction or LED specifications due to continuous improvements of our products and lightsources.

LOOK TOO



ART.NR.	LAMP TYPE	BRAND	LUMINOUS FLUX	OUTPUT POWER	MODULE EFFICIENCY	COLOUR TEMPERATURE	CRI	TC LIFETIME	mA
Δ see colors									
6002.179.33.Δ	V8 Array	Bridgelux	970LM	9.3W	113LM/W	2700K	>80	30.000 Hrs	500mA



PRODUCT MATERIAL	Die-cast aluminium
LIGHT SOURCE	Sharp
MODULE LIFETIME	Approx. 35.000 hours
LED COOLING	Passive cooling
DRIVER	Incl. Phasecut DIM driver
COLORS (Δ)	○ 3 = White ● 5 = Black
BEAM ANGLE	21°
ADJUSTABLE	Yes - 0-60° - 360°
SIZE	100 X 103MM. See technical drawing



OPTIONS

REFLECTOR RING	gold reflector ring art. no.: 5019.922.99.9	€ 9,50
GLASS	Honey comb art. no.: 5019.933.94.0	€ 7,50
	Linear art. no.: 5019.933.96.0	€ 7,50

INFORMATION

WARRANTY	3 Years
-----------------	---------

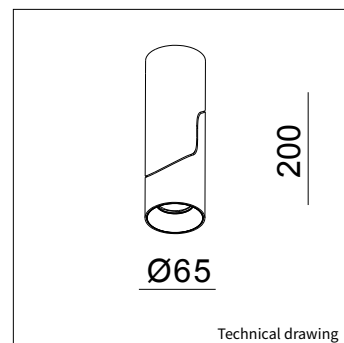
Δ = product color code. See colors

Including standard black reflector ring

Keylight International reserves the right to modify or change technical, construction or LED specifications due to continuous improvements of our products and lightsources.



PIPA



Reflector ring



Linear glass Honeycomb

ART.NR.	LAMP TYPE	BRAND	LUMINOUS FLUX	OUTPUT POWER	MODULE EFFICIENCY	COLOUR TEMPERATURE	CRI	TC LIFETIME	mA
Δ see colors									
5019.179.21.Δ	ZENIGATA	Sharp	70 / 980LM	13W	75LM/W	2000 - 3000K >90	>90	50.000 Hrs	50 / 350



TUBE

PRODUCT MATERIAL	Aluminium
LIGHT SOURCE	MR16 LED / GU10 / LMR50
DRIVER	LMR 50 includes a driver
COLORS (Δ)	○ 3 = RAL 9003 ● 5 = RAL 9005 ● 6 = RAL 9006
BEAM ANGLE	▲ 20° ▲ 30°
ADJUSTABLE	Yes
SIZE	96 X 120MM



OPTIONS LMR

DIMMABLE DRIVERS <small>IN COMBINATION WITH THIS LUMINAIRE. ADDITIONAL PRICE.</small>	1/10v Dimmable 350mA 10W art. no.: 0110.350.10.1	€ 29,50
	Phase-cut Dimmable 350mA 10W art. no.: 0110.350.10.1	€ 29,50
GLASS COVER CLEAR	Glass IP44 art. no.: 0053.999.99.0	€ 7,50

INFORMATION

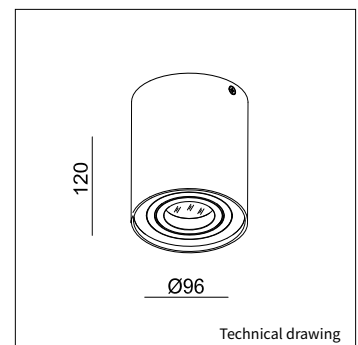
! Only luminaire body, lightsource and/or driver excluded.

LMR includes a driver, cable and plug.

LMR **Dim to Warm** includes a dimmable driver, cable and plug.

Keylight International reserves the right to modify or change technical, construction or LED specifications due to continuous improvements of our products and lightsources.


TUBE



ART.NR.	LAMP TYPE	BRAND	LUMINOUS FLUX	OUTPUT POWER	MODULE EFFICIENCY	COLOUR TEMPERATURE	CRI	TC LIFETIME	BEAM ANGLE	mA
Δ see colors										
! 5025.001.98.Δ	MR16	~	~	Max. 50W	~	~	~	~	~	~
! 5025.002.98.Δ	Gu10	~	~	Max. 50W	~	~	~	~	~	~
5025.171.20.Δ	LMR50	Bridgelux V6	575LM	6,8W	85LM/W	2700K	>90	30.000 Hrs	20°	350
5025.172.30.Δ	LMR50	Bridgelux V6	575LM	6,8W	85LM/W	2700K	>90	30.000 Hrs	30°	350
5025.173.20.Δ	LMR50	Bridgelux V6	600LM	6,8W	88LM/W	3000K	>90	30.000 Hrs	20°	350
5025.174.30.Δ	LMR50	Bridgelux V6	600LM	6,8W	88LM/W	3000K	>90	30.000 Hrs	30°	350
5025.175.20.Δ	LMR50	Sharp GW6	563LM	6,6W	85LM/W	2000 - 2800K dtw	>80	30.000 Hrs	20°	350
5025.176.30.Δ	LMR50	Sharp GW6	563LM	6,6W	85LM/W	2000 - 2800K dtw	>80	30.000 Hrs	30°	350



BUSS 12

PRODUCT MATERIAL	Aluminium
LIGHT SOURCE	DISK G3
MODULE LIFETIME	Approx. 50.000 hours
LED COOLING	Passive cooling
DRIVER	Incl. Integrated driver.
COLORS (Δ)	<ul style="list-style-type: none"> ○ 3 = RAL 9003 white ● 5 = RAL 9005 black ● 6 = RAL 9006 alu
BEAM ANGLE	 80°
ADJUSTABLE	No
SIZE	90 X 125MM



OPTIONS

COLORS	Available in all RAL colours on request. Additional price + 10%
DIMMABLE	Standard Dimmable leading edge
3 PHASE ADAPTER	For track mounting € 35,00

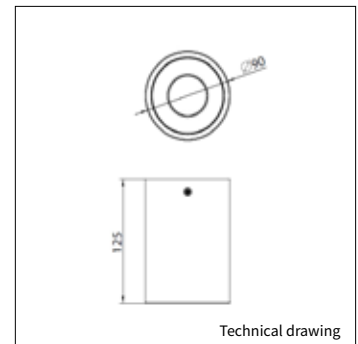
BUSS 12

INFORMATION

WARRANTY	5 Years
-----------------	---------

Δ = product color code. See colors

Keylight International reserves the right to modify or change technical, construction or LED specifications due to continuous improvements of our products and lightsources.



Technical drawing

ARTICLE NO.	LAMP TYPE	BRAND	LIGHT OUTPUT	MODULE POWER	MODULE EFFICIENCY	CORRELATED COLOUR TEMPERATURE	COLOUR RENDERING INDEX	TC LIFE	mA
5184.141.85Δ	Disk G3	Philips	800LM	12W	68LM/W	2700K	>80	50.000 Hrs	>,09
5184.142.85Δ	Disk G3	Philips	800LM	12W	68LM/W	3000K	>80	50.000 Hrs	>,09
5184.143.85Δ	Disk G3	Philips	850LM	11W	72LM/W	4000K	>80	50.000 Hrs	>,09



BUSS 19

PRODUCT MATERIAL	Steel and aluminium
LIGHT SOURCE	Philips DLM-S
MODULE LIFETIME	Approx. 30.000 hours
LED COOLING	Passive cooling
DRIVER	Incl. Intergrated Driver
COLORSΔ	<ul style="list-style-type: none"> ○ 3 = RAL 9003 white ● 5 = RAL 9005 ● 6 = RAL 9006
BEAM ANGLE	
REFLECTOR	Silver Glossy
ADJUSTABLE	No
SIZE	192 X 140MM



OPTIONS

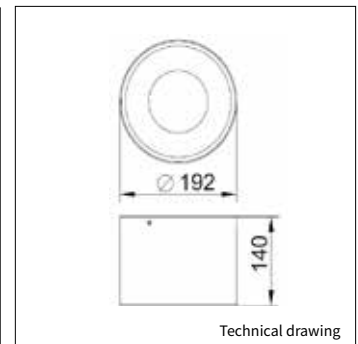
COLORS	Available in all RAL colours on request. Additional price + 10%
REFLECTOR	White reflector on request.
IP44 VERSION	On request
3 PHASE ADAPTER	For track mounting € 35,00

BUSS 19

INFORMATION

WARRANTY	5 Years
-----------------	---------

Keylight International reserves the right to modify or change technical, construction or LED specifications due to continuous improvements of our products and lightsources.



ARTICLE NO.	LAMP TYPE	BRAND	LIGHT OUTPUT	MODULE POWER	MODULE EFFICIENCY	CORRELATED COLOUR TEMPERATURE	COLOUR RENDERING INDEX	TC LIFE	mA
5186.103.80.3Δ	DLM-S	Philips	2000	26	70	3000	>80	30.000	>09,
5186.140.80.3Δ	DLM-S	Philips	2000	26	70	4000	>80	30.000	>09,



MALIBU 17



PRODUCT MATERIAL	Steel and aluminium
LIGHT SOURCE	DLM ES
MODULE LIFETIME	Approx. 50.000 hours
LED COOLING	Passive cooling
DRIVER	Incl. standard Philips driver.
COLORS (Δ)	<ul style="list-style-type: none"> ○ 3 = RAL 9003 white ● 5 = RAL 9005 black ● 6 = RAL 9006 alu
BEAM ANGLE	
ADJUSTABLE	No
SIZE	170 X 194MM



OPTIONS

COLORS	Available in all RAL colours on request Additional price + 10%
IP44 DIFFUSER	On request

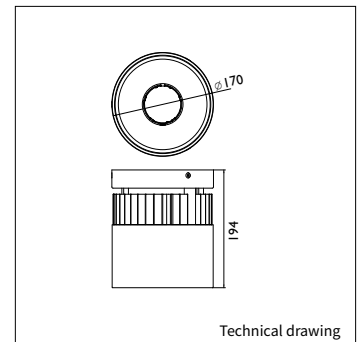
INFORMATION

WARRANTY	5 Years
-----------------	---------

Δ see colors

Keylight International reserves the right to modify or change technical, construction or LED specifications due to continuous improvements of our products and lightsources. The light source in this product can be replaced with an equivalent module made by Philips, Osram or Tridonic.

MALIBU 17



FORTIMO DLM EASE SELECT G1

Different lumen output or wattages available on request

ART.NR.	LUMEN	PHILIPS FORTIMO DLM ES G1	HOUSING	LUMINOUS FLUX	MODULE EFFICIENCY	OUTPUT POWER	COLOUR TEMPERATURE	CRI	INPUT VOLTAGE	TC	POWER FACTOR	TC LIFETIME
5019.281.80.Δ	1100	FORTIMO DLM ES 830	Low	1080LM	114LM/W	10W	3000K	>80	230V	85°C	>0,9	50.000 Hrs
5019.282.80.Δ	1100	FORTIMO DLM ES 840	Low	1100LM	116LM/W	10W	4000K	>80	230V	85°C	>0,9	50.000 Hrs
5019.283.80.Δ	2000	FORTIMO DLM ES 830	Low	1930LM	110LM/W	18W	3000K	>80	230V	85°C	>0,9	50.000 Hrs
5019.284.80.Δ	2000	FORTIMO DLM ES 840	Low	2000LM	114LM/W	18W	4000K	>80	230V	85°C	>0,9	50.000 Hrs
5019.285.80.Δ	3000	FORTIMO DLM ES 830	Low	2850LM	108LM/W	26.5W	3000K	>80	230V	85°C	>0,9	50.000 Hrs
5019.286.80.Δ	3000	FORTIMO DLM ES 840	Low	3000LM	108LM/W	26.5W	4000K	>80	230V	85°C	>0,9	50.000 Hrs

High efficiency is the standard Keylight setting for all DLM G2 LED modules. For technical and warranty information regarding high efficiency, see page 300. Standard system warranty is 5 years.

SOL 17



PRODUCT MATERIAL	Steel and Alu
LIGHT SOURCE	DLM Flex
MODULE LIFETIME	Approx. 60.000 hours
LED COOLING	Passive cooling
DRIVER DLM-I	Incl. 230V intergrated driver.
DRIVER DLM	Incl. standard xitanium driver.
COLORS	<ul style="list-style-type: none"> ○ 3 = RAL 9003 white ● 5 = RAL 9005 black ● 6 = RAL 9006 alu
BEAM ANGLE	
ADJUSTABLE	No
SIZE	170 X 240MM



OPTIONS

COLORS	Available in all RAL colours on request Additional price + 10%
DIMMABLE	Dimmable DALI € 60,00
GLASS & IP RING	Optional IP44 ring with clear or mat glass Price on request.
PENDENT	Also available as a pendent version on req.

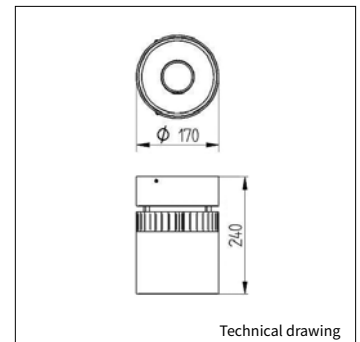
SOL 17

INFORMATION

WARRANTY	5 Years
-----------------	---------

Δ see colors

Keylight International reserves the right to modify or change technical, construction or LED specifications due to continuous improvements of our products and lightsources. The light source in this product can be replaced with an equivalent module made by Philips, Osram or Tridonic.



FORTIMO DLM FLEX G2

Different lumen output or wattages available on request

ART.NR.	LUMEN	PHILIPS FORTIMO DLM G2	HOUSING	LUMINOUS FLUX	MODULE EFFICIENCY	OUTPUT POWER	COLOUR TEMPERATURE	CRI	INPUT VOLTAGE	TC	POWER FACTOR	TC LIFETIME
5170.201.80.Δ	1100	DLM FLEX 840 G2	High	1074LM	93LM/W	11.7W	3000K	>80	35V	85°C	>0,9	60.000 Hrs
5170.202.80.Δ	1100	DLM FLEX 840 G2	High	1075LM	104LM/W	10.5W	4000K	>80	35V	85°C	>0,9	60.000 Hrs
5170.203.80.Δ	2000	DLM FLEX 840 G2	High	2000LM	91LM/W	22W	3000K	>80	35V	85°C	>0,9	60.000 Hrs
5170.204.80.Δ	2000	DLM FLEX 840 G2	High	2000LM	102LM/W	19.5W	4000K	>80	35V	85°C	>0,9	60.000 Hrs
5170.205.80.Δ	3000	DLM FLEX 840 G2	High	3000LM	94LM/W	32W	3000K	>80	35V	85°C	>0,9	60.000 Hrs
5170.206.80.Δ	3000	DLM FLEX 840 G2	High	3000LM	105LM/W	28.5W	4000K	>80	35V	85°C	>0,9	60.000 Hrs

High efficiency is the standard Keylight setting for all DLM G2 LED modules. For technical and warranty information regarding high efficiency, see page 300. Standard system warranty is 5 years.



PRODUCT MATERIAL	Die-cast aluminium
LIGHT SOURCE	SLM G6
MODULE LIFETIME	Approx. 50.000 hours
LED COOLING	Passive cooling
DRIVER	Incl. Xitanium driver.
COLORS (Δ)	○ 3 = RAL 9003 white ● 5 = RAL 9005 black
BEAM ANGLE	60° Lens
ADJUSTABLE	No
SIZE	180 X 270MM



OPTIONS

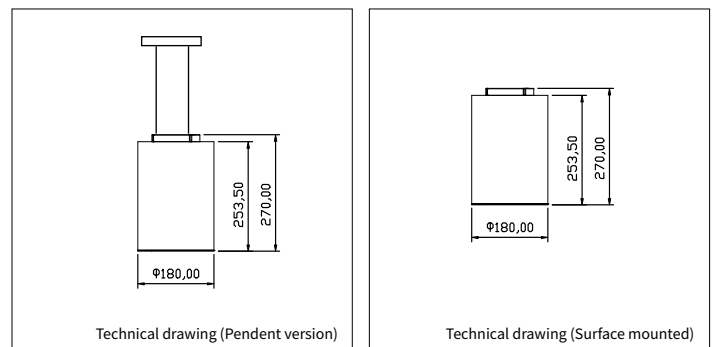
SUSPENSION SET 2M	5118.200.99. Δ	€ 15,00
OPTIONAL BEAM LENS	18° 3045.018.00.0	€ 7,50
	36° 3045.036.00.0	€ 7,50

INFORMATION

WARRANTY	5 Years
-----------------	---------

Δ = product color code. See colors

Keylight International reserves the right to modify or change technical, construction or LED specifications due to continuous improvements of our products and light sources. The light source in this product can be replaced with an equivalent module made by Philips, Osram or Tridonic.



AVAILABLE SLM OPTIONS

To order the correct product, please replace **COB*** in the article number field with the COB code found on the last page of the catalogue

ARTICLE NUMBER Δ See colors	LUMINOUS FLUX	BRAND	OUTPUT POWER	COLOUR TEMPERATURE	CRI	SETTING	POWER FACTOR
5118.COB*.24.Δ	1100	Philips SLM G6	7W	827 / 830 / 835 / 840 / 850	>80	High Efficiency	>0,9
5118.COB*.24.Δ	1100	Philips SLM G6	8W	927 / 930	>90	High Efficiency	>0,9
5118.COB*.24.Δ	1100	Philips SLM G6	7W	830 Premium White	>80	High Efficiency	>0,9
5118.COB*.24.Δ	1100	Philips SLM G6	8W	930 / 935 / 940 Premium White	>90	High Efficiency	>0,9
5118.COB*.24.Δ	1100	Philips SLM G6	10W	930 Crisp White (930 CW)	>90	High Efficiency	>0,9
5118.COB*.24.Δ	1100	Philips SLM G6	11W	Food Warm White (FWW)	84	High Efficiency	>0,9
5118.COB*.24.Δ	1100	Philips SLM G6	11W	Food Premium Red (FPR)	88	High Efficiency	>0,9
5118.COB*.24.Δ	2000	Philips SLM G6	13W	827 / 830 / 835 / 840 / 850	>80	High Efficiency	>0,9
5118.COB*.24.Δ	2000	Philips SLM G6	17W	927 / 930	>90	High Efficiency	>0,9
5118.COB*.24.Δ	2000	Philips SLM G6	14W	830 Premium White	>80	High Efficiency	>0,9
5118.COB*.24.Δ	2000	Philips SLM G6	16W	930 / 935 / 940 Premium White	>90	High Efficiency	>0,9
5118.COB*.24.Δ	2000	Philips SLM G6	21W	930 Crisp White (930 CW)	>90	High Efficiency	>0,9
5118.COB*.24.Δ	2000	Philips SLM G6	23W	Food Warm White (FWW)	84	High Efficiency	>0,9
5118.COB*.24.Δ	2000	Philips SLM G6	22W	Food Premium Red (FPR)	88	High Efficiency	>0,9
5118.COB*.24.Δ	3000	Philips SLM G6	19W	827 / 830 / 835 / 840 / 850 / 857	>80	High Efficiency	>0,9
5118.COB*.24.Δ	3000	Philips SLM G6	26W	927 / 930	>90	High Efficiency	>0,9
5118.COB*.24.Δ	3000	Philips SLM G6	20W	830 Premium White	>80	High Efficiency	>0,9
5118.COB*.24.Δ	3000	Philips SLM G6	25W	930 / 935 / 940 Premium White	>90	High Efficiency	>0,9
5118.COB*.24.Δ	3000	Philips SLM G6	32W	930 Crisp White (930 CW)	>90	High Efficiency	>0,9
5118.COB*.24.Δ	3000	Philips SLM G6	39W	Food Warm White (FWW)	84	High Efficiency	>0,9
5118.COB*.24.Δ	3000	Philips SLM G6	37W	Food Premium Red (FPR)	88	High Efficiency	>0,9
5118.COB*.24.Δ	4500	Philips SLM G6	29W	827 / 830 / 835 / 840 / 850 / 857	>80	High Efficiency	>0,9
5118.COB*.24.Δ	4500	Philips SLM G6	38W	927 / 930	>90	High Efficiency	>0,9
5118.COB*.24.Δ	4500	Philips SLM G6	30W	830 Premium White	>80	High Efficiency	>0,9
5118.COB*.24.Δ	4500	Philips SLM G6	37W	930 / 935 / 940 Premium White	>90	High Efficiency	>0,9
5118.COB*.24.Δ	4500	Philips SLM G6	45W	930 Crisp White (930 CW)	>90	High Efficiency	>0,9
5118.COB*.24.Δ	4500	Philips SLM G6	46W	Food Warm White (FWW)	84	High Efficiency	>0,9
5118.COB*.24.Δ	4500	Philips SLM G6	46W	Food Premium Red (FPR)	88	High Efficiency	>0,9

High efficiency is the standard Keylight setting for all SLM G6 LED modules. For technical and warranty information regarding high efficiency, see last page of the catalogue. Standard system warranty is 5 years.



ORBIT SERIES



PRODUCT MATERIAL	Steel and aluminium
LIGHT SOURCE	LED plate
MODULE LIFETIME	Approx. 50.000 hours
LED COOLING	Passive cooling
DRIVER	Incl. standard Osram driver.
COLORS (Δ)	<ul style="list-style-type: none"> ○ 3 = RAL 9003 white ● 5 = RAL 9005 black ● 6 = RAL 9006 alu
REFLECTOR PLATE	Opal diffuser
ADJUSTABLE	No
SIZE	195 X 75MM



OPTIONS

COLORS	Available in all RAL colours on request Additional price + 10%
PENDENT	Also available as a pendent version on req.

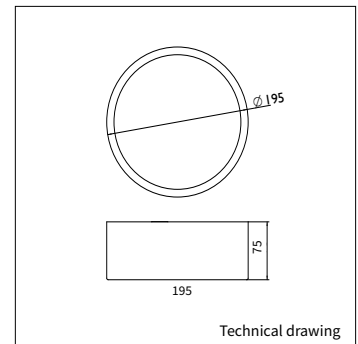
INFORMATION

WARRANTY	5 Years
-----------------	---------

Δ see colors

Keylight International reserves the right to modify or change technical, construction or LED specifications due to continuous improvements of our products and lightsources. The light source in this product can be replaced with an equivalent module made by Philips, Osram or Tridonic.

ORBIT 20



ART.NR.	LAMP TYPE	BRAND	LUMINOUS FLUX	OUTPUT POWER	MODULE EFFICIENCY	COLOUR TEMPERATURE	CRI	TC LIFETIME	POWER FACTOR
Δ see color									
5002.181.91Δ	LED plate	Philips	1500LM	14W	107LM/W	3000K	>80	50.000 Hrs	>0,9
5002.182.91Δ	LED plate	Philips	1300LM	13W	115LM/W	4000K	>80	50.000 Hrs	>0,9



ORBIT 30

PRODUCT MATERIAL	Steel and aluminium
LIGHT SOURCE	AC integrated LED module
MODULE LIFETIME	Approx. 50.000 hours
LED COOLING	Passive cooling
DRIVER	AC
COLORS (Δ)*	<ul style="list-style-type: none"> ○ 3 = RAL 9003 white ● 5 = RAL 9005 black ● 6 = RAL 9006 alu
REFLECTOR PLATE	Opal diffuser
ADJUSTABLE	No
SIZE	300 X 120MM



OPTIONS

COLORS	Available in all RAL colours on request Additional price + 10%
PENDENT	Also available as a pendent version on req.

INFORMATION

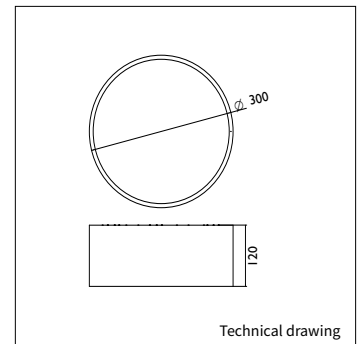
WARRANTY	5 Years
-----------------	---------

Δ see colors

* Our Ecoline version is only available in RAL 9006 and RAL 9003

Keylight International reserves the right to modify or change technical, construction or LED specifications due to continuous improvements of our products and light sources. The light source in this product can be replaced with an equivalent module made by Philips, Osram or Tridonic.

ORBIT 30



ART.NR.	VERSION	LAMP TYPE	BRAND	LUMINOUS FLUX	OUTPUT POWER	MODULE EFFICIENCY	COLOUR TEMPERATURE	CRI	TC LIFETIME	POWER FACTOR
Δ see color										
5013.183.91Δ	Ecoline	AC LED module	Philips	2500LM	21W	120LM/W	3000K	>80	50.000 Hrs	>0,9
5013.184.91Δ	Ecoline	AC LED module	Philips	2500LM	21W	120LM/W	4000K	>80	50.000 Hrs	>0,9
5003.185.91Δ		AC LED module	Philips	2300LM	21W	110LM/W	3000K	>80	50.000 Hrs	>0,9
5003.186.91Δ		AC LED module	Philips	2300LM	21W	110LM/W	4000K	>80	50.000 Hrs	>0,9



ORBIT 40

PRODUCT MATERIAL	Steel and aluminium
LIGHT SOURCE	AC integrated LED module
MODULE LIFETIME	Approx. 50.000 hours
LED COOLING	Passive cooling
DRIVER	AC
COLORS (Δ)*	<ul style="list-style-type: none"> ○ 3 = RAL 9003 white ● 5 = RAL 9005 black ● 6 = RAL 9006 alu
REFLECTOR PLATE	Opal diffuser
ADJUSTABLE	No
SIZE	425 X 120MM



OPTIONS

COLORS	Available in all RAL colours on request Additional price + 10%	
DIMMABLE	Dimmable DALI	€ 60,00
PENDENT	Also available as a pendant version on req.	

ORBIT 40

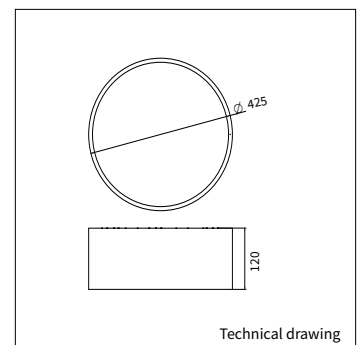
INFORMATION

WARRANTY	5 Years
-----------------	---------

Δ see colors

* Our Ecoline version is only available in RAL 9006 and RAL 9003

Keylight International reserves the right to modify or change technical, construction or LED specifications due to continuous improvements of our products and light sources. The light source in this product can be replaced with an equivalent module made by Philips, Osram or Tridonic.



Technical drawing

ART.NR.	VERSION	LAMP TYPE	BRAND	LUMINOUS FLUX	OUTPUT POWER	MODULE EFFICIENCY	COLOUR TEMPERATURE	CRI	TC LIFETIME	POWER FACTOR
Δ see color										
5435.183.91Δ	Ecoline	AC LED module	Philips	4000LM	29W	138LM/W	3000K	>80	50.000 Hrs	>0,9
5435.184.91Δ	Ecoline	AC LED module	Philips	4000LM	29W	138LM/W	4000K	>80	50.000 Hrs	>0,9
5425.195.91Δ		AC LED module	Philips	3900LM	29W	135LM/W	3000K	>80	50.000 Hrs	>0,9
5425.196.91Δ		AC LED module	Philips	4000LM	29W	138LM/W	4000K	>80	50.000 Hrs	>0,9



ORBIT S 50 UP/DN

PRODUCT MATERIAL	Steel and aluminium
LIGHT SOURCE	Philips LEDLine
MODULE LIFETIME	Approx. 50.000 hours
LED COOLING	Passive cooling
DRIVER	Incl. standard Philips driver.
COLORS (Δ)	<ul style="list-style-type: none"> ○ 3 = RAL 9003 white ● 5 = RAL 9005 black ● 6 = RAL 9006 alu
REFLECTOR PLATE	Opal diffuser
SURFACE MOUNTED	Direct / Indirect luminaire
SIZE	500 X 99MM



OPTIONS

COLORS	Available in all RAL colours on request Additional price + 10%		
DIMMABLE	Dimmable DALI	€	60,00
EMERGENCY BALLAST	0187.003.01 1 hour	€	180,00
PENDENT	Also available as a pendant version on req.		

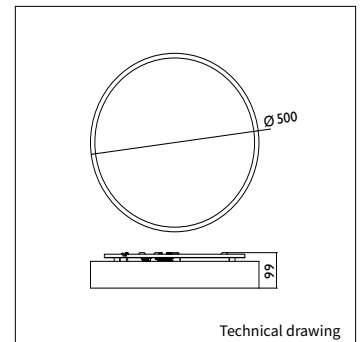
ORBIT S 50 UP/DN

INFORMATION

WARRANTY	5 Years
-----------------	---------

Δ see colors

Keylight International reserves the right to modify or change technical, construction or LED specifications due to continuous improvements of our products and light sources. The light source in this product can be replaced with an equivalent module made by Philips, Osram or Tridonic.



Technical drawing

ART.NR.	LAMP TYPE	BRAND	LUMINOUS FLUX	OUTPUT POWER	MODULE EFFICIENCY	COLOUR TEMPERATURE	CRI	TC LIFETIME	POWER FACTOR
Δ see color									
5430.195.91Δ	LEDLine	Philips	5000LM	45W	111LM/W	3000K	>80	50.000	>0,9
5430.196.91Δ	LEDLine	Philips	5000LM	45W	111LM/W	4000K	>80	50.000	>0,9



ORBIT 65

PRODUCT MATERIAL	Steel and aluminium
LIGHT SOURCE	Philips LEDLine
MODULE LIFETIME	Approx. 50.000 hours
LED COOLING	Passive cooling
DRIVER	Incl. standard Philips driver.
COLORS (Δ)	<ul style="list-style-type: none"> ○ 3 = RAL 9003 white ● 5 = RAL 9005 black ● 6 = RAL 9006 alu
REFLECTOR PLATE	Opal diffuser
ADJUSTABLE	No
SIZE	650 X 112MM



OPTIONS

COLORS	Available in all RAL colours on request		
	Additional price + 10%		
DIMMABLE	Dimmable DALI	€	60,00
EMERGENCY BALLAST	0187.003.01 1 hour	€	180,00
PENDENT	Also available as a pendent version on req.		

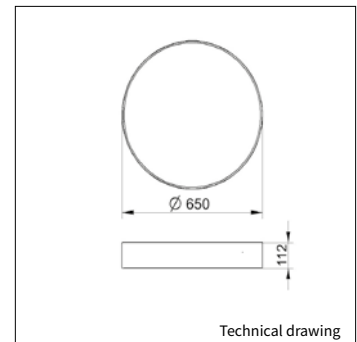
ORBIT 65

INFORMATION

WARRANTY	5 Years
-----------------	---------

Δ see colors

Keylight International reserves the right to modify or change technical, construction or LED specifications due to continuous improvements of our products and lightsources. The light source in this product can be replaced with an equivalent module made by Philips, Osram or Tridonic.



ART.NR.	LAMP TYPE	BRAND	LUMINOUS FLUX	OUTPUT POWER	MODULE EFFICIENCY	COLOUR TEMPERATURE	CRI	TC LIFETIME	POWER FACTOR
Δ see color									
5650.195.91.Δ	LEDLine	Philips	5200LM	35W	148LM/W	3000K	>80	50.000 Hrs	>0,9
5650.196.91.Δ	LEDLine	Philips	5200LM	35W	148LM/W	4000K	>80	50.000 Hrs	>0,9



ORBIT 90

PRODUCT MATERIAL	Steel and aluminium
LIGHT SOURCE	Philips LEDLine
MODULE LIFETIME	Approx. 50.000 hours
LED COOLING	Passive cooling
DRIVER	Incl. standard Philips driver.
COLORS (Δ)	<ul style="list-style-type: none"> ○ 3 = RAL 9003 white ● 5 = RAL 9005 black ● 6 = RAL 9006 alu
REFLECTOR PLATE	Opal diffuser
ADJUSTABLE	No
SIZE	900 X 112MM



OPTIONS

COLORS	Available in all RAL colours on request Additional price + 10%		
DIMMABLE	Dimmable DALI	€	60,00
EMERGENCY BALLAST	0187.003.01 1 hour	€	180,00
PENDENT	Also available as a pendent version on req.		

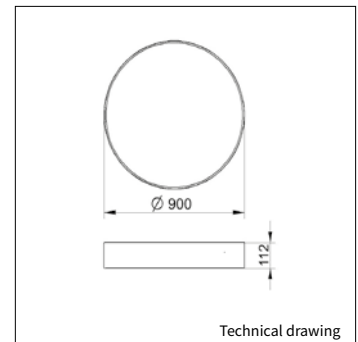
ORBIT 90

INFORMATION

WARRANTY	5 Years
-----------------	---------

Δ see colors

Keylight International reserves the right to modify or change technical, construction or LED specifications due to continuous improvements of our products and lightsources. The light source in this product can be replaced with an equivalent module made by Philips, Osram or Tridonic.



Technical drawing

ART.NR.	LAMP TYPE	BRAND	LUMINOUS FLUX	OUTPUT POWER	MODULE EFFICIENCY	COLOUR TEMPERATURE	CRI	TC LIFETIME	POWER FACTOR
Δ see color									
5900.193.91Δ	LEDLine	Philips	10.000LM	70W	142LM/W	3000K	>80	50.000 Hrs	>0,9
5900.194.91Δ	LEDLine	Philips	10.000LM	70W	142LM/W	4000K	>80	50.000 Hrs	>0,9



METEOR 20

PRODUCT MATERIAL	Aluminium and poly-carbonate
LIGHT SOURCE	SMD LED
MODULE LIFETIME	Approx. 40.000 hours
LED COOLING	Passive cooling
DRIVER	Incl. LED driver.
COLORS (Δ)	○ 3 = RAL 9003 white
BEAM ANGLE	▲ 120° Wide beam
REFLECTOR PLATE	Opal poly-carbonate diffuser
ADJUSTABLE	No
SIZE	200 X 48MM



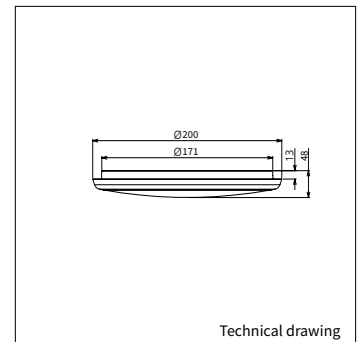
INFORMATION

WARRANTY	3 Years
-----------------	---------

IP 54: For indoor use only

Keylight International reserves the right to modify or change technical, construction or LED specifications due to continuous improvements of our products and lightsources. The light source in this product can be replaced with an equivalent module made by Philips, Osram or Tridonic.

METEOR 20



ART.NR.	LAMP TYPE	BRAND	LUMINOUS FLUX	OUTPUT POWER	MODULE EFFICIENCY	COLOUR TEMPERATURE	CRI	TC LIFETIME	POWER FACTOR
5141.200.12.3	SMD LED	Epistar	1120LM	12W	94LM/W	3000K	>80	40.000 Hrs	>0,9



METEOR 30

PRODUCT MATERIAL	Aluminium and poly-carbonate
LIGHT SOURCE	SMD LED
MODULE LIFETIME	Approx. 40.000 hours
LED COOLING	Passive cooling
DRIVER	Incl. LED driver.
COLORS (Δ)	○ 3 = RAL 9003 white
BEAM ANGLE	▲ 120° Wide beam
REFLECTOR PLATE	Opal poly-carbonate diffuser
ADJUSTABLE	No
SIZE	300 X 48MM



OPTIONS

Options available on request.

- 25w version
- Sensor with dimmin to 10% brightness when no action

Ask our sales department for more information

INFORMATION

WARRANTY	3 Years
-----------------	---------

IP 54: For indoor use only

Microwave Sensor

Detection area:

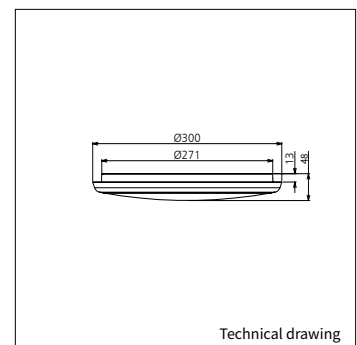
- 140 degree wide detective beam angle with 5-7 meters distance.

Working pattern:

- In any given lighting condition, the light switches on automatically when presence detected.
- After presence left, light will continuously work within timedelay (30 seconds), then switch off automatically.
- After presence left, any movement detected within time-delay (30 seconds), the light will continuously work for another hold time (30 seconds), then switch off until next movement detected.
- Hold time: 30S

Keylight International reserves the right to modify or change technical, construction or LED specifications due to continuous improvements of our products and lightsources. The light source in this product can be replaced with an equivalent module made by Philips, Osram or Tridonic.

METEOR 30



ART.NR.	LAMP TYPE	BRAND	LUMINOUS FLUX	OUTPUT POWER	MODULE EFFICIENCY	COLOUR TEMPERATURE	CRI	TC LIFETIME	POWER FACTOR
5142.300.18.3	SMD LED	Epistar	1620LM	18W	90LM/W	3000K	>80	40.000 Hrs	>0,9
5143.300.18.3 (sensor)	SMD LED	Epistar	1620LM	18W	90LM/W	3000K	>80	40.000 Hrs	>0,9

SURFACE SQUARE



CUBE 5
PAGE 142



SKINA 4
PAGE 146



PINO 1
PAGE 150



JAZZ 32
PAGE 154



QUBIC 4
PAGE 158





CUBE R
PAGE 143



SKINA 1
PAGE 144



SKINA 2
PAGE 145



PINO CLICK 1
PAGE 147



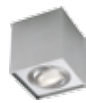
PINO CLICK 2
PAGE 148



PINO CLICK 3
PAGE 149



PINO DUO
PAGE 151



BUX
PAGE 152



JAZZ 16
PAGE 153



QUBIC 1
PAGE 155



QUBIC 2
PAGE 156



QUBIC 3
PAGE 157



METEOR SQ
PAGE 159

INTERIOR SURFACE SQUARE

BUX	PAGE 152
CUBE R	PAGE 143
CUBE S	PAGE 142
JAZZ 16	PAGE 153
JAZZ 32	PAGE 154
METEOR SQ	PAGE 159
PINO 1	PAGE 150
PINO DUO	PAGE 151
PINO CLICK 1	PAGE 147
PINO CLICK 2	PAGE 148
PINO CLICK 3	PAGE 149
QUBIC 1	PAGE 155
QUBIC 2	PAGE 156
QUBIC 3	PAGE 157
QUBIC 4	PAGE 158
SKINA 1	PAGE 144
SKINA 2	PAGE 145
SKINA 4	PAGE 146



PRODUCT MATERIAL	Die-cast aluminium
LIGHT SOURCE	Bridgelux V8
DRIVER	Including driver
COLORS	<ul style="list-style-type: none"> ○ 3 = RAL 9003 white ● 5 = RAL 9005 black ● 7 = RAL 7037 grey
BEAM ANGLE	33°
ADJUSTABLE	No
SIZE	85 X 85 X 93MM



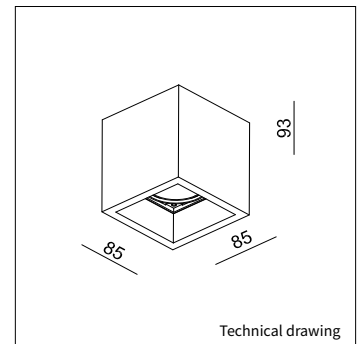
OPTIONS

DIMMABLE DRIVERS 500mA <small>IN COMBINATION WITH THIS LUMINAIRE. ADDITIONAL PRICE.</small>	1/10v Dimmable 500mA 10W art. no.: 0110.500.10.1	€ 29,50
	Phase-cut Dimmable 500mA 10W art. no.: 0110.500.10.1	€ 29,50
	Dimmable DALI 500mA 18W art. no.: 0118.500.75.0	€ 55,00

INFORMATION

Keylight International reserves the right to modify or change technical, construction or LED specifications due to continuous improvements of our products and lightsources. The light source in this product can be replaced with an equivalent module made by Philips, Osram or Tridonic.

CUBE S



5105.993.33.55

5105.993.33.53

5105.993.33.59

ART.NR.	COLOR	LAMP TYPE	BRAND	LUMINOUS FLUX	OUTPUT POWER	MODULE EFFICIENCY	COLOUR TEMPERATURE	CRI	TC LIFETIME	mA
5105.993.33.33	○ ○ White/white	V8	Bridgelux	745LM	9,2W	80LM/W	2700K	>90	35.000 Hrs	500mA
5105.993.33.35	○ ● White/black	V8	Bridgelux	745LM	9,2W	80LM/W	2700K	>90	35.000 Hrs	500mA
5105.993.33.39	○ ● White/gold	V8	Bridgelux	745LM	9,2W	80LM/W	2700K	>90	35.000 Hrs	500mA
5105.993.33.53	● ○ Black/white	V8	Bridgelux	745LM	9,2W	80LM/W	2700K	>90	35.000 Hrs	500mA
5105.993.33.55	● ● Black/black	V8	Bridgelux	745LM	9,2W	80LM/W	2700K	>90	35.000 Hrs	500mA
5105.993.33.59	● ● Black/gold	V8	Bridgelux	745LM	9,2W	80LM/W	2700K	>90	35.000 Hrs	500mA
5105.993.33.73	○ ○ Grey/white	V8	Bridgelux	745LM	9,2W	80LM/W	2700K	>90	35.000 Hrs	500mA
5105.993.33.75	○ ● Grey/black	V8	Bridgelux	745LM	9,2W	80LM/W	2700K	>90	35.000 Hrs	500mA
5105.993.33.79	○ ● Grey/gold	V8	Bridgelux	745LM	9,2W	80LM/W	2700K	>90	35.000 Hrs	500mA



PRODUCT MATERIAL	Die-cast aluminium
LIGHT SOURCE	Bridgelux V8
DRIVER	Including driver
COLORS	<ul style="list-style-type: none"> ○ 3 = RAL 9003 white ● 5 = RAL 9005 black ● 7 = RAL 7037 grey
BEAM ANGLE	33°
ADJUSTABLE	No
SIZE	85 X 85 X 93MM



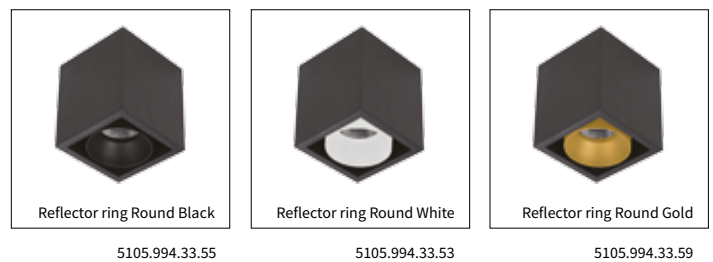
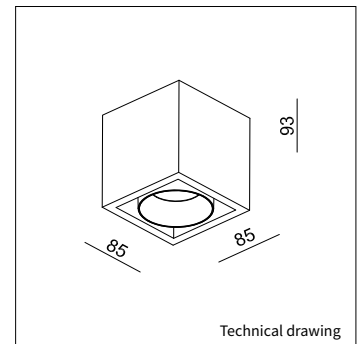
OPTIONS

DIMMABLE DRIVERS 500mA <small>IN COMBINATION WITH THIS LUMINAIRE. ADDITIONAL PRICE.</small>	1/10v Dimmable 500mA 10W art. no.: 0110.500.10.1	€ 29,50
	Phase-cut Dimmable 500mA 10W art. no.: 0110.500.10.1	€ 29,50
	Dimmable DALI 500mA 18W art. no.: 0118.500.75.0	€ 55,00

INFORMATION

Keylight International reserves the right to modify or change technical, construction or LED specifications due to continuous improvements of our products and lightsources. The light source in this product can be replaced with an equivalent module made by Philips, Osram or Tridonic.

CUBE R



ART.NR.	COLOR	LAMP TYPE	BRAND	LUMINOUS FLUX	OUTPUT POWER	MODULE EFFICIENCY	COLOUR TEMPERATURE	CRI	TC LIFETIME	mA
5105.994.33.33	○ ○ White/white	V8	Bridgelux	745LM	9,2W	80LM/W	2700K	>90	35.000 Hrs	500mA
5105.994.33.35	○ ● White/black	V8	Bridgelux	745LM	9,2W	80LM/W	2700K	>90	35.000 Hrs	500mA
5105.994.33.39	○ ● White/gold	V8	Bridgelux	745LM	9,2W	80LM/W	2700K	>90	35.000 Hrs	500mA
5105.994.33.53	● ○ Black/white	V8	Bridgelux	745LM	9,2W	80LM/W	2700K	>90	35.000 Hrs	500mA
5105.994.33.55	● ● Black/black	V8	Bridgelux	745LM	9,2W	80LM/W	2700K	>90	35.000 Hrs	500mA
5105.994.33.59	● ● Black/gold	V8	Bridgelux	745LM	9,2W	80LM/W	2700K	>90	35.000 Hrs	500mA
5105.994.33.73	○ ○ Grey/white	V8	Bridgelux	745LM	9,2W	80LM/W	2700K	>90	35.000 Hrs	500mA
5105.994.33.75	○ ● Grey/black	V8	Bridgelux	745LM	9,2W	80LM/W	2700K	>90	35.000 Hrs	500mA
5105.994.33.79	○ ● Grey/gold	V8	Bridgelux	745LM	9,2W	80LM/W	2700K	>90	35.000 Hrs	500mA



PRODUCT MATERIAL	Aluminium
LIGHT SOURCE	LED / DTW / Retrofit Gu10
LED LIFETIME	Approx. 35.000 hours
LED COOLING	Passive cooling
COLORS (Δ)	○ 3 = RAL 9003 white ● 5 = RAL 9005 black ● 6 = RAL 9006 alu
BEAM ANGLE	▲ 25° ▲ 40°
BEAM ANGLE (DTW)	▲ 30°
ADJUSTABLE	350°
ADJUSTABLE HEAD	90°
SIZE	110 X 112MM



OPTIONS

REFLECTOR RING	Gold reflector ring art. no.: 5019.922.99.9	€ 9,50
-----------------------	--	--------

INFORMATION

WARRANTY	3 Years
-----------------	---------

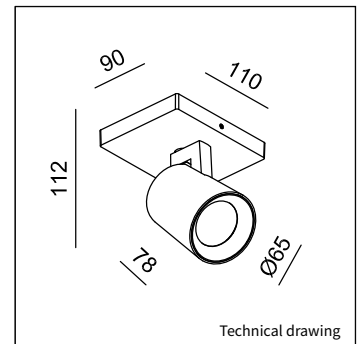
Δ = product color code. See colors

Including Philips lightsource or DTW

Including standard black reflector ring

Keylight International reserves the right to modify or change technical, construction or LED specifications due to continuous improvements of our products and lightsources.

SKINA 1



Technical drawing



Reflector ring

ART.NR.	LAMP TYPE	BRAND	LUMINOUS FLUX	OUTPUT POWER	MODULE EFFICIENCY	COLOUR TEMPERATURE	CRI	TC LIFETIME	BEAM ANGLE
Δ see color									
5033.175.30.Δ	DTW	KL	305LM	5W	61LM/W	2000/3000K	DTW >90	30.000 Hrs	30°
5033.272.25.Δ	MasterLED	Philips	272LM	4W	68LM/W	2700K	>90	50.000 Hrs	25°
5033.279.40.Δ	MasterLED	Philips	279LM	4W	68LM/W	2700K	>90	50.000 Hrs	40°
5033.282.25.Δ	MasterLED	Philips	282LM	4W	70LM/W	3000K	>90	50.000 Hrs	25°
5033.290.40.Δ	MasterLED	Philips	290LM	4W	72LM/W	3000K	>90	50.000 Hrs	40°



PRODUCT MATERIAL	Aluminium
LIGHT SOURCE	LED / DTW / Retrofit Gu10
LED LIFETIME	Approx. 35.000 hours
LED COOLING	Passive cooling
COLORS (Δ)	○ 3 = RAL 9003 white ● 5 = RAL 9005 black ● 6 = RAL 9006 alu
BEAM ANGLE	▲ 25° ▲ 40°
BEAM ANGLE (DTW)	▲ 30°
ADJUSTABLE	350°
ADJUSTABLE HEAD	90°
SIZE	112 X 90 X 305MM



OPTIONS

REFLECTOR RING	Gold reflector ring art. no.: 5019.922.99.9	€ 19,00
-----------------------	--	---------

INFORMATION

WARRANTY	3 Years
-----------------	---------

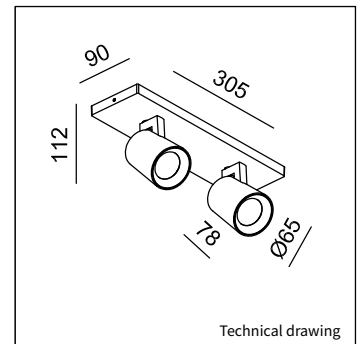
Δ = product color code. See colors

Including Philips lightsource

Including standard black reflector ring

Keylight International reserves the right to modify or change technical, construction or LED specifications due to continuous improvements of our products and lightsources.

SKINA 1



Reflector ring

ART.NR.	LAMP TYPE	BRAND	LUMINOUS FLUX	OUTPUT POWER	MODULE EFFICIENCY	COLOUR TEMPERATURE	CRI	TC LIFETIME	BEAM ANGLE
Δ see color									
5034.175.30.Δ	DTW	KL	2X 305LM	2X 5W	2X 61LM/W	2000/3000K	DTW >90	30.000 Hrs	30°
5034.272.25Δ	MasterLED	Philips	2X 272LM	2X 4W	68LM/W	2700K	>90	50.000 Hrs	25°
5034.279.40Δ	MasterLED	Philips	2X 279LM	2X 4W	68LM/W	2700K	>90	50.000 Hrs	40°
5034.282.25Δ	MasterLED	Philips	2X 282LM	2X 4W	70LM/W	3000K	>90	50.000 Hrs	25°
5034.290.40Δ	MasterLED	Philips	2X 290LM	2X 4W	72LM/W	3000K	>90	50.000 Hrs	40°



SKINA 4



PRODUCT MATERIAL	Aluminium
LIGHT SOURCE	LED / DTW / Retrofit Gu10
LED LIFETIME	Approx. 35.000 hours
LED COOLING	Passive cooling
COLORS (Δ)	<ul style="list-style-type: none"> ○ 3 = RAL 9003 white ● 5 = RAL 9005 black ● 6 = RAL 9006 alu
BEAM ANGLE	<ul style="list-style-type: none"> ▲ 25° ▲ 40°
BEAM ANGLE (DTW)	▲ 30°
ADJUSTABLE	350°
ADJUSTABLE HEAD	90°
SIZE	112 X 240 X 240MM



OPTIONS

REFLECTOR RING	Gold reflector ring art. no.: 5019.922.99.9	€ 38,00
-----------------------	--	---------

INFORMATION

WARRANTY	3 Years
-----------------	---------

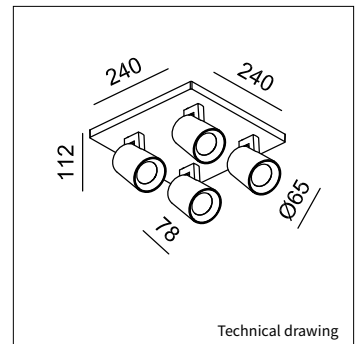
Δ = product color code. See colors

Including Philips lightsource

Including standard black reflector ring

Keylight International reserves the right to modify or change technical, construction or LED specifications due to continuous improvements of our products and lightsources.

SKINA 4



Technical drawing



Reflector ring

ART.NR.	LAMP TYPE	BRAND	LUMINOUS FLUX	OUTPUT POWER	MODULE EFFICIENCY	COLOUR TEMPERATURE	CRI	TC LIFETIME	BEAM ANGLE
Δ see color									
5035.175.30.Δ	DTW	KL	4X 305LM	4X 5W	61LM/W	2000/3000K DTW	>90	30.000 Hrs	30°
5035.272.25.Δ	MasterLED	Philips	4X 272LM	4X 4W	68LM/W	2700K	>90	50.000 Hrs	25°
5035.279.40.Δ	MasterLED	Philips	4X 279LM	4X 4W	68LM/W	2700K	>90	50.000 Hrs	40°
5035.282.25.Δ	MasterLED	Philips	4X 282LM	4X 4W	70LM/W	3000K	>90	50.000 Hrs	25°
5035.290.40.Δ	MasterLED	Philips	4X 290LM	4X 4W	72LM/W	3000K	>90	50.000 Hrs	40°



PRODUCT MATERIAL	Die-cast aluminium
LIGHT SOURCE	Bridgelux
MODULE LIFETIME	Approx. 35.000 hours
LED COOLING	Passive cooling
DRIVER	Incl. Phasecut DIM driver
COLORS (Δ)	○ 3 = White ● 5 = Black
BEAM ANGLE	22°
ADJUSTABLE	Yes - 0-60° - 360°
SIZE	See technical drawings



OPTIONS

OPTIONAL BEAM ANGLE	36° art. no.: 4912.999.38.9	€ 5,00
REFLECTOR RING	White reflector ring art. no.: 4912.922.99.3	€ 9,50
	gold reflector ring art. no.: 4912.922.99.9	€ 9,50
GLASS	Transparent art. no.: 4912.933.99.0	€ 7,50
	Honey comb art. no.: 4912.933.94.0	€ 7,50
	Frosted art. no.: 4912.933.90.0	€ 7,50
	Linear art. no.: 4912.933.96.0	€ 7,50

INFORMATION

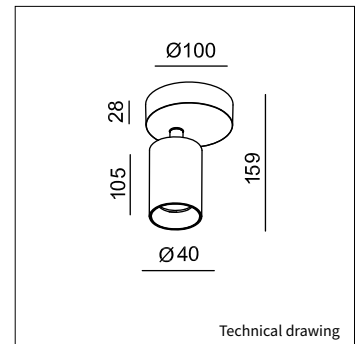
WARRANTY	3 Years
-----------------	---------

Δ = product color code. See colors

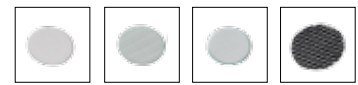
Including standard black reflector ring

Keylight International reserves the right to modify or change technical, construction or LED specifications due to continuous improvements of our products and lightsources.

PINO CLICK 1



Reflector rings



Transparent Linear Frosted Honeycomb

ART.NR.	LAMP TYPE	BRAND	LUMINOUS FLUX	OUTPUT POWER	MODULE EFFICIENCY	COLOUR TEMPERATURE	CRI	TC LIFETIME	mA
Δ see colors									
5032.001.23.Δ	V8	Bridgelux	740LM	9W	82LM/W	2700K	>90	35.000 Hrs	500mA



PRODUCT MATERIAL	Die-cast aluminium
LIGHT SOURCE	Bridgelux
MODULE LIFETIME	Approx. 35.000 hours
LED COOLING	Passive cooling
DRIVER	Incl. Phasecut DIM driver
COLORS (Δ)	○ 3 = White ● 5 = Black
BEAM ANGLE	22°
ADJUSTABLE	Yes - 0-60° - 360°
SIZE	See technical drawings



OPTIONS

OPTIONAL BEAM ANGLE	36° art. no.: 4912.999.38.9	€ 10,00
REFLECTOR RING	White reflector ring art. no.: 4912.922.99.3	€ 19,00
	gold reflector ring art. no.: 4912.922.99.9	€ 19,00
GLASS	Transparent art. no.: 4912.933.99.0	€ 15,00
	Honey comb art. no.: 4912.933.94.0	€ 15,00
	Frosted art. no.: 4912.933.90.0	€ 15,00
	Linear art. no.: 4912.933.96.0	€ 15,00

INFORMATION

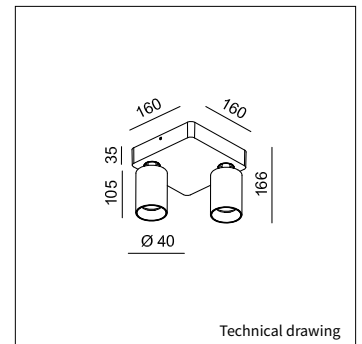
WARRANTY	3 Years
-----------------	---------

Δ = product color code. See colors

Including standard black reflector ring

Keylight International reserves the right to modify or change technical, construction or LED specifications due to continuous improvements of our products and lightsources.

PINO CLICK 2



Reflector rings



Transparent Linear Frosted Honeycomb

ART.NR.	LAMP TYPE	BRAND	LUMINOUS FLUX	OUTPUT POWER	MODULE EFFICIENCY	COLOUR TEMPERATURE	CRI	TC LIFETIME	mA
Δ see colors									
5032.002.23.Δ	V8	Bridgelux	2X 740LM	2x 9W	82LM/W	2700K	>90	35.000 Hrs	500mA



NEW
PINO CLICK 3

PRODUCT MATERIAL	Die-cast aluminium
LIGHT SOURCE	Bridgelux
MODULE LIFETIME	Approx. 35.000 hours
LED COOLING	Passive cooling
DRIVER	Incl. Phasecut DIM driver
COLORS (Δ)	○ 3 = White ● 5 = Black
BEAM ANGLE	22°
ADJUSTABLE	Yes - 0-60° - 360°
SIZE	See technical drawings

OPTIONS

OPTIONAL BEAM ANGLE	36° art. no.: 4912.999.38.9	€ 15,00
REFLECTOR RING	White reflector ring art. no.: 4912.922.99.3	€ 28,50
	gold reflector ring art. no.: 4912.922.99.9	€ 28,50
GLASS	Transparent art. no.: 4912.933.99.0	€ 22,50
	Honey comb art. no.: 4912.933.94.0	€ 22,50
	Frosted art. no.: 4912.933.90.0	€ 22,50
	Linear art. no.: 4912.933.96.0	€ 22,50

INFORMATION

WARRANTY	3 Years
-----------------	---------

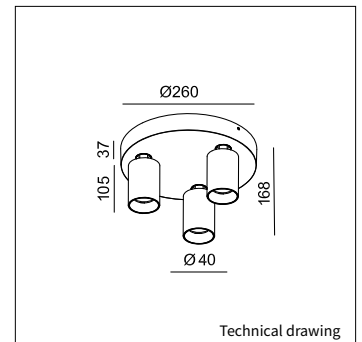
Δ = product color code. See colors

Including standard black reflector ring

Keylight International reserves the right to modify or change technical, construction or LED specifications due to continuous improvements of our products and lightsources.



PINO CLICK 3



Reflector rings



Transparent Linear Frosted Honeycomb

ART.NR.	LAMP TYPE	BRAND	LUMINOUS FLUX	OUTPUT POWER	MODULE EFFICIENCY	COLOUR TEMPERATURE	CRI	TC LIFETIME	mA
Δ see colors									
5032.003.23.Δ	V8	Bridgelux	3X 740LM	3x 9W	82LM/W	2700K	>90	35.000 Hrs	500mA



PRODUCT MATERIAL

Die-cast aluminium

LIGHT SOURCE

Bridgelux V8

DRIVER

Including driver

COLORS

○ 3 = RAL 9003 white

● 5 = RAL 9005 black

BEAM ANGLE



ADJUSTABLE

Horizontally and vertically rotational

SIZE

175 x 148 x 50mm

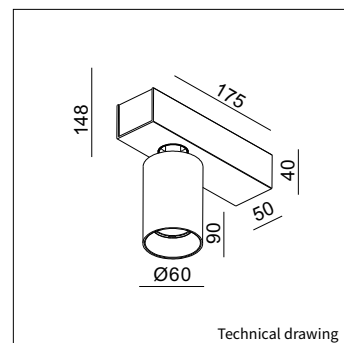


OPTIONS

DIMMABLE DRIVERS 500mA		
IN COMBINATION WITH THIS LUMINAIRE. ADDITIONAL PRICE.	1/10v Dimmable 500mA 10W art. no.: 0110.500.10.1	€ 29,50
	Phase-cut Dimmable 500mA 10W art. no.: 0110.500.10.1	€ 29,50
	Dimmable DALI 500mA 18W art. no.: 0118.500.75.0	€ 55,00

Keylight International reserves the right to modify or change technical, construction or LED specifications due to continuous improvements of our products and lightsources. The light source in this product can be replaced with an equivalent module made by Philips, Osram or Tridonic.

PINO I



ART.NR.	LAMP TYPE	BRAND	LUMINOUS FLUX	OUTPUT POWER	MODULE EFFICIENCY	COLOUR TEMPERATURE	CRI	TC LIFETIME	mA
5030.180.33.Δ	V8 LED	Bridgelux	745LM	9,2W	81LM/W	2700K	>90	50.000 Hrs	500

Δ see colors



PRODUCT MATERIAL

Die-cast aluminium

LIGHT SOURCE

Bridgelux V8

DRIVER

Including driver

COLORS

○ 3 = RAL 9003 white

● 5 = RAL 9005 black

BEAM ANGLE



ADJUSTABLE

Horizontally and vertically rotational

SIZE

336 x 148 x 50mm

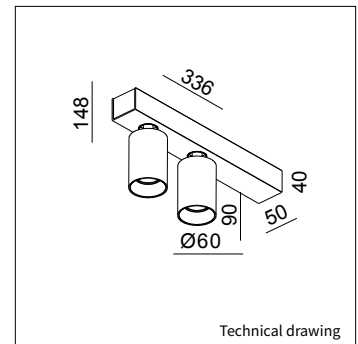
OPTIONS

DIMMABLE DRIVERS 500mA		
IN COMBINATION WITH THIS LUMINAIRE. ADDITIONAL PRICE.	1/10v Dimmable 500mA 20W art. no.: 0137.110.21.1	€ 63,00
	Phase-cut Dimmable 500mA 18W art. no.: 0115.500.18.1	€ 29,50
	Dimmable DALI 500mA 18W art. no.: 0118.500.75.0	€ 55,00



Keylight International reserves the right to modify or change technical, construction or LED specifications due to continuous improvements of our products and lightsources. The light source in this product can be replaced with an equivalent module made by Philips, Osram or Tridonic.

PINO DUO



ART.NR.	LAMP TYPE	BRAND	LUMINOUS FLUX	OUTPUT POWER	MODULE EFFICIENCY	COLOUR TEMPERATURE	CRI	TC LIFETIME	mA
5031.180.33.Δ	V8 LED	Bridgelux	2X 745LM	2X 9,2W	2X 81LM/W	2700K	>90	50.000 Hrs	500

Δ see colors



BUXX

PRODUCT MATERIAL	Steel and aluminium
LIGHT SOURCE	LMR50 / MR16 / GU10
DRIVER	LMR 50 includes a driver
COLORS (Δ)	<ul style="list-style-type: none"> ○ 3 = RAL 9003 ● 5 = RAL 9005 ● 6 = RAL 9006
BEAM ANGLE	
ADJUSTABLE	Yes
SIZE	96 X 120MM



OPTIONS LMR

GLASS COVER CLEAR	LMR50 glass IP44 art. no.: 0053.999.99.0	€ 7,50
DIMMABLE DRIVERS 350mA <small>IN COMBINATION WITH THIS LUMINAIRE. ADDITIONAL PRICE.</small>	1/10v Dimmable 350mA 10W art. no.: 0110.350.10.1	€ 29,50
	Phase-cut Dimmable 350mA 10W art. no.: 0110.350.10.1	€ 29,50

INFORMATION

WARRANTY	3 Years
-----------------	---------

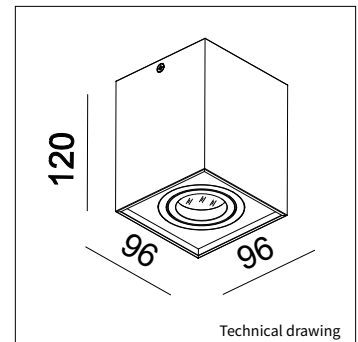
! Only luminaire body, lightsource and/or driver excluded.

LMR includes a driver, cable and plug.

LMR **Dim to Warm** includes a dimmable driver, cable and plug.

Keylight International reserves the right to modify or change technical, construction or LED specifications due to continuous improvements of our products and lightsources.

BUXX



ART.NR.	LAMP TYPE	BRAND	LUMINOUS FLUX	OUTPUT POWER	MODULE EFFICIENCY	COLOUR TEMPERATURE	CRI	TC LIFETIME	BEAM ANGLE	mA
Δ see colors										
I 5125.001.98.Δ	MR16	~	~	Max. 50W	~	~	~	~	~	~
I 5125.002.98.Δ	Gu10	~	~	Max. 50W	~	~	~	~	~	~
5125.171.20.Δ	LMR50	Bridgelux V6	575LM	6,8W	85LM/W	2700K	>90	30.000 Hrs	20°	350
5125.172.30.Δ	LMR50	Bridgelux V6	575LM	6,8W	85LM/W	2700K	>90	30.000 Hrs	30°	350
5125.173.20.Δ	LMR50	Bridgelux V6	600LM	6,8W	88LM/W	3000K	>90	30.000 Hrs	20°	350
5125.174.30.Δ	LMR50	Bridgelux V6	600LM	6,8W	88LM/W	3000K	>90	30.000 Hrs	30°	350
5125.175.20.Δ	LMR50	Sharp GW6	563LM	6,6W	85LM/W	2000 - 2800K DTW	>80	30.000 Hrs	20°	350
5125.176.30.Δ	LMR50	Sharp GW6	563LM	6,6W	85LM/W	2000 - 2800K DTW	>80	30.000 Hrs	30°	350



JAZZ 16

PRODUCT MATERIAL	Steel and aluminium
LIGHT SOURCE	QR111 LED / G53
DRIVER	Including driver
COLORS (Δ)	○ 3 = RAL 9003 white ● 5 = RAL 9005 black ● 6 = RAL 9006 alu
BEAM ANGLE	▲ 24° ▲ 45°
ADJUSTABLE	Yes
SIZE	160 X 160 X 130MM



OPTIONS

COLORS	Available in all RAL colours and color combinations on request. Additional price + 10%	
DIMMABLE DRIVERS 350mA <small>IN COMBINATION WITH THIS LUMINAIRE. ADDITIONAL PRICE.</small>	1/10v Dimmable 350mA 20W art. no.: 0137.110.20.0	€ 63,00
	Phase-cut Dimmable 350mA 18W art. no.: 0115.350.18.1	€ 29,00
	Dimmable DALI 350mA 18W art. no.: 0118.350.75.0	€ 55,00
DIMMABLE DRIVERS 500mA <small>IN COMBINATION WITH THIS LUMINAIRE. ADDITIONAL PRICE.</small>	1/10v Dimmable 500mA 10W art. no.: 0110.500.10.1	€ 29,50
	Phase-cut Dimmable 500mA 10W art. no.: 0110.500.10.1	€ 29,50
	Dimmable DALI 500mA 18W art. no.: 0118.500.75.0	€ 55,00

JAZZ 16

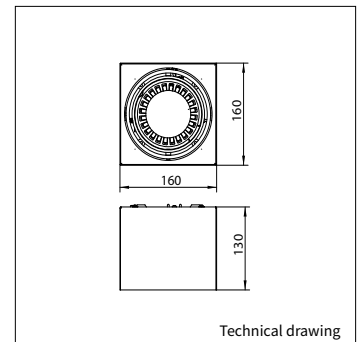
INFORMATION

WARRANTY	3 Years
-----------------	---------

Δ = product color code. See colors

Including lightsource

DTW Standard dimmable driver



Keylight International reserves the right to modify or change technical, construction or LED specifications due to continuous improvements of our products and lightsources. The light source in this product can be replaced with an equivalent module made by Philips, Osram or Tridonic.

ART.NR.	LAMP TYPE	BRAND	LUMINOUS FLUX	OUTPUT POWER	MODULE EFFICIENCY	COLOUR TEMPERATURE	CRI	TC LIFETIME	BEAM ANGLE	mA
Δ see color										
5104.605.24.Δ	QR111 LED / G53	KL	500LM	10W	50LM/W	2800K	>90	30.000 Hrs	24°	500mA
5104.605.24.Δ	QR111 LED / G53	KL	750LM	15W	50LM/W	2800K	>90	30.000 Hrs	24°	350mA
5104.607.40.Δ	QR111 LED / G53	KL	750LM	15W	50LM/W	2800K	>90	30.000 Hrs	40°	350mA
5104.175.24.Δ	QR111 LED / G53	KL	700LM	15W	46LM/W	2000 - 2900K	DTW >96	35.000 Hrs	24°	350mA
5104.175.45.Δ	QR111 LED / G53	KL	700LM	15W	46LM/W	2000 - 2900K	DTW >96	35.000 Hrs	45°	350mA



JAZZ 32

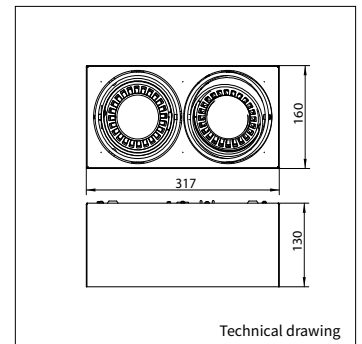
PRODUCT MATERIAL	Steel and aluminium
LIGHT SOURCE	QR111 LED / G53
DRIVER	Included
COLORS (Δ)	○ 3 = RAL 9003 white ● 5 = RAL 9005 black ● 6 = RAL 9006 alu
BEAM ANGLE	▲ 24° ▲ 45°
ADJUSTABLE	Yes
SIZE	317 X 160 X 130MM



OPTIONS

COLORS	Available in all RAL colours and color combinations on request. Additional price + 10%	
DIMMABLE DRIVERS 350mA <small>IN COMBINATION WITH THIS LUMINAIRE. ADDITIONAL PRICE.</small>	2x 1/10v Dimmable 350mA 20W art. no.: 0137.110.20.0	€ 126,00
	2x Phase-cut Dimmable 350mA 18W art. no.: 0115.350.18.1	€ 58,00
	2x Dimmable DALI 350mA 18W art. no.: 0118.350.75.0	€ 110,00
DIMMABLE DRIVERS 500mA <small>IN COMBINATION WITH THIS LUMINAIRE. ADDITIONAL PRICE.</small>	2x 1/10v Dimmable 500mA 10W art. no.: 0110.500.10.1	€ 58,00
	2x Phase-cut Dimmable 500mA 10W art. no.: 0110.500.10.1	€ 58,00
	2x Dimmable DALI 500mA 18W art. no.: 0118.500.75.0	€ 110,00

JAZZ 32



Technical drawing

INFORMATION

WARRANTY	3 Years
-----------------	---------

Δ = product color code. See colors

Including lightsource

[This luminaire is also available in a 3L and a 4L version](#)

Keylight International reserves the right to modify or change technical, construction or LED specifications due to continuous improvements of our products and lightsources. The light source in this product can be replaced with an equivalent module made by Philips, Osram or Tridonic.

ART.NR.	LAMP TYPE	BRAND	LUMINOUS FLUX	OUTPUT POWER	MODULE EFFICIENCY	COLOUR TEMPERATURE	CRI	TC LIFETIME	BEAM ANGLE	mA
Δ see color										
5144.605.24.Δ	QR111 LED / G53	KL	2X 500LM	2x 10W	2X 50LM/W	2800K	>90	30.000 Hrs	24°	500mA
5144.605.40.Δ	QR111 LED / G53	KL	2X 750LM	2x 15W	2X 50LM/W	2800K	>90	30.000 Hrs	40°	350mA
5144.606.24.Δ	QR111 LED / G53	KL	2X 750LM	2x 15W	2X 50LM/W	2800K	>90	30.000 Hrs	24°	350mA
5144.175.24.Δ	QR111 LED / G53	KL	2X 700LM	2x 15W	2X 46LM/W	2000 - 2900K	>96	35.000 Hrs	24°	350mA
5144.175.45.Δ	QR111 LED / G53	KL	2X 700LM	2x 15W	2X 46LM/W	2000 - 2900K	>96	35.000 Hrs	45°	350mA



PRODUCT MATERIAL	Steel
LIGHT SOURCE	MR16 / GU10 / LMR50
DRIVER	LMR 50 includes a driver
COLORS (Δ)	<ul style="list-style-type: none"> ○ 3 = RAL 9003 white ● 77 = RAL 7037 Light grey ● 7 = RAL 7043 Antracit ● 5 = RAL 9005 black
BEAM ANGLE	LMR: 20° / 30°
ADJUSTABLE	Yes
SIZE	115 X 115 X 123MM



OPTIONS LMR

COLORS	The standard colors, as stated above, can be combined with the fixture inside/outside. No additional price. Available in all RAL colours and color combinations on request. Additional price + 10%		
GLASS COVER CLEAR	LMR50 glass IP44 art. no.: 0053.999.99.0	€	7,50
DIMMABLE DRIVERS 350mA <small>IN COMBINATION WITH THIS LUMINAIRE. ADDITIONAL PRICE.</small>	1/10v Dimmable 350mA 10W art. no.: 0110.350.10.1	€	29,50
	Phase-cut Dimmable 350mA 10W art. no.: 0110.350.10.1	€	29,50
	Dimmable DALI 350mA 18W art. no.: 0118.350.75.0	€	55,00



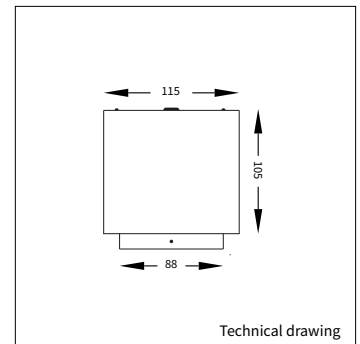
QUBIC 1

INFORMATION

! Only luminaire body, lightsource and/or driver excluded.

LMR includes a driver, cable and plug.

LMR **Dim to Warm** includes a dimmable driver, cable and plug.



Keylight International reserves the right to modify or change technical, construction or LED specifications due to continuous improvements of our products and lightsources.

ART.NR.	LAMP TYPE	BRAND	LUMINOUS FLUX	OUTPUT POWER	MODULE EFFICIENCY	COLOUR TEMPERATURE	CRI	TC LIFETIME	BEAM ANGLE	mA
Δ see colors										
! 4612.001.98.Δ	MR16	~	~	Max. 50W	~	~	~	~	~	~
! 4612.002.98.Δ	Gu10	~	~	Max. 50W	~	~	~	~	~	~
4612.171.20.Δ	LMR50	Bridgelux V6	575LM	6,8W	85LM/W	2700K	>90	30.000 Hrs	20°	350
4612.172.30.Δ	LMR50	Bridgelux V6	575LM	6,8W	85LM/W	2700K	>90	30.000 Hrs	30°	350
4612.173.20.Δ	LMR50	Bridgelux V6	600LM	6,8W	88LM/W	3000K	>90	30.000 Hrs	20°	350
4612.174.30.Δ	LMR50	Bridgelux V6	600LM	6,8W	88LM/W	3000K	>90	30.000 Hrs	30°	350
4612.175.20.Δ	LMR50	Sharp GW6	563LM	6,6W	85LM/W	2000 - 2800K DTW	>80	30.000 Hrs	20°	350
4612.176.30.Δ	LMR50	Sharp GW6	563LM	6,6W	85LM/W	2000 - 2800K DTW	>80	30.000 Hrs	30°	350



PRODUCT MATERIAL	Steel
LIGHT SOURCE	MR16 / GU10 / LMR50
DRIVER	LMR 50 includes a driver
COLORS (Δ)	<ul style="list-style-type: none"> ○ 3 = RAL 9003 white ● 77 = RAL 7037 Light grey ● 7 = RAL 7043 Antracit ● 5 = RAL 9005 black
BEAM ANGLE	LMR: 20° / 30°
ADJUSTABLE	Yes
SIZE	240 X 115 X 115MM



OPTIONS LMR

COLORS	Available in all RAL colours and color combinations on request. Additional price + 10%	
	The standard colors, as stated above, can be combined with the fixture inside/outside. No additional price.	
GLASS COVER CLEAR	LMR50 2x glass IP44 art. no.: 0053.999.99.0	€ 15,00
DIMMABLE DRIVERS 350mA	1/10v Dimmable 350mA 20W art. no.: 0137.110.20.0	€ 63,00
<i>IN COMBINATION WITH THIS LUMINAIRE. ADDITIONAL PRICE.</i>	Phase-cut Dimmable 350mA 18W art. no.: 0115.350.18.1	€ 29,00
	Dimmable DALI 350mA 18W art. no.: 0118.350.75.0	€ 55,00



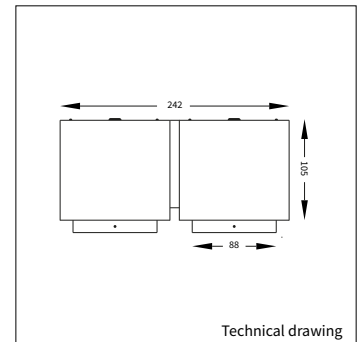
QUBIC 2

INFORMATION

! Only luminaire body, lightsource and/or driver excluded.

LMR includes a driver, cable and plug.

LMR **Dim to Warm** includes a dimmable driver, cable and plug.



Keylight International reserves the right to modify or change technical, construction or LED specifications due to continuous improvements of our products and lightsources.

ART.NR.	LAMP TYPE	BRAND	LUMINOUS FLUX	OUTPUT POWER	MODULE EFFICIENCY	COLOUR TEMPERATURE	CRI	TC LIFETIME	BEAM ANGLE	mA
Δ see colors										
! 4613.001.98.Δ	MR16	~	~	Max. 50W	~	~	~	~	~	~
! 4613.002.98.Δ	Gu10	~	~	Max. 50W	~	~	~	~	~	~
4613.171.20.Δ	LMR50	Bridgelux V6	2x 575LM	2x 6,8W	85LM/W	2700K	>90	30.000 Hrs	20°	350
4613.172.30.Δ	LMR50	Bridgelux V6	2x 575LM	2x 6,8W	85LM/W	2700K	>90	30.000 Hrs	30°	350
4613.173.20.Δ	LMR50	Bridgelux V6	2x 600LM	2x 6,8W	88LM/W	3000K	>90	30.000 Hrs	20°	350
4613.174.30.Δ	LMR50	Bridgelux V6	2x 600LM	2x 6,8W	88LM/W	3000K	>90	30.000 Hrs	30°	350
4613.175.20.Δ	LMR50	Sharp GW6	2x 563LM	2x 6,6W	85LM/W	2000 - 2800K DTW	>80	30.000 Hrs	20°	350
4613.176.30.Δ	LMR50	Sharp GW6	2x 563LM	2x 6,6W	85LM/W	2000 - 2800K DTW	>80	30.000 Hrs	30°	350



QUBIC 3



PRODUCT MATERIAL	Steel
LIGHT SOURCE	MR16 / GU10 / LMR50
DRIVER	LMR 50 includes a driver
COLORS (Δ)	<ul style="list-style-type: none"> ○ 3 = RAL 9003 white ● 77 = RAL 7037 Light grey ● 7 = RAL 7043 Antracit ● 5 = RAL 9005 black
BEAM ANGLE	LMR: 20° / 30°
ADJUSTABLE	Yes
SIZE	365 X 115 X 123MM



OPTIONS LMR

COLORS	The standard colors, as stated above, can be combined with the fixture inside/outside. No additional price. Available in all RAL colours and color combinations on request. Additional price + 10%		
GLASS COVER CLEAR	LMR50 3x glass IP44 art. no.: 0053.999.99.0	€	22,50
DIMMABLE DRIVERS	Available on request		



QUBIC 3

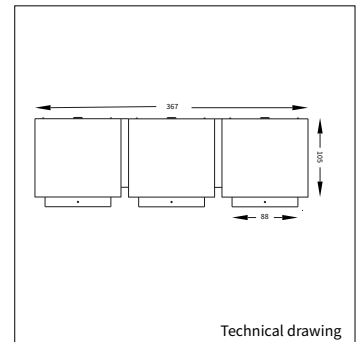
INFORMATION

! LMR including cable, plug, connection cable and driver.

Only luminaire body, lightsource and/or driver excluded.

LMR **Dim to Warm** includes a dimmable driver, cable and plug.

Keylight International reserves the right to modify or change technical, construction or LED specifications due to continuous improvements of our products and lightsources.



ART.NR.	LAMP TYPE	BRAND	LUMINOUS FLUX	OUTPUT POWER	MODULE EFFICIENCY	COLOUR TEMPERATURE	CRI	TC LIFETIME	BEAM ANGLE	mA
Δ see colors										
! 4614.001.98.Δ	MR16	~	~	Max. 50W	~	~	~	~	~	~
! 4614.002.98.Δ	Gu10	~	~	Max. 50W	~	~	~	~	~	~
4614.171.20.Δ	LMR50	Bridgelux V6	3x 575LM	3x 6,8W	85LM/W	2700K	>90	30.000 Hrs	20°	350
4614.172.30.Δ	LMR50	Bridgelux V6	3x 575LM	3x 6,8W	85LM/W	2700K	>90	30.000 Hrs	30°	350
4614.173.20.Δ	LMR50	Bridgelux V6	3x 600LM	3x 6,8W	88LM/W	3000K	>90	30.000 Hrs	20°	350
4614.174.30.Δ	LMR50	Bridgelux V6	3x 600LM	3x 6,8W	88LM/W	3000K	>90	30.000 Hrs	30°	350
4614.175.20.Δ	LMR50	Sharp GW6	3x 563LM	3x 6,6W	85LM/W	2000 - 2800K DTW	>80	30.000 Hrs	20°	350
4614.176.30.Δ	LMR50	Sharp GW6	3x 563LM	3x 6,6W	85LM/W	2000 - 2800K DTW	>80	30.000 Hrs	30°	350



PRODUCT MATERIAL	Steel
LIGHT SOURCE	MR16 / GU10 / LMR50
DRIVER	LMR 50 includes a driver
COLORS (Δ)	<ul style="list-style-type: none"> ○ 3 = RAL 9003 white ● 77 = RAL 7037 Light grey ● 7 = RAL 7043 Antracit ● 5 = RAL 9005 black
BEAM ANGLE	LMR: 20° / 30°
ADJUSTABLE	Yes
SIZE	240 X 240 X 123MM



OPTIONS LMR

COLORS	<p>The standard colors, as stated above, can be combined with the fixture inside/outside. No additional price.</p> <p>Available in all RAL colours and color combinations on request. Additional price + 10%</p>		
GLASS COVER CLEAR	LMR50 4x glass IP44	€	30,00
	art. no.: 0053.999.99.0		
DIMMABLE DRIVERS	Available on request		

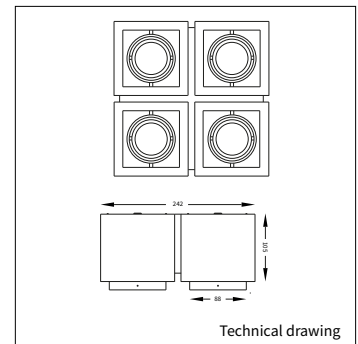


QUBIC 4

INFORMATION

- ! LMR including cable, plug, connection cable and driver.
- Only luminaire body, lightsource and/or driver excluded.
- LMR **Dim to Warm** includes a dimmable driver, cable and plug.

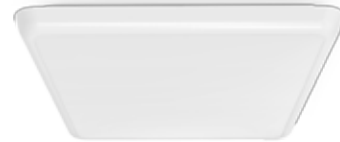
Keylight International reserves the right to modify or change technical, construction or LED specifications due to continuous improvements of our products and lightsources.



ART.NR.	LAMP TYPE	BRAND	LUMINOUS FLUX	OUTPUT POWER	MODULE EFFICIENCY	COLOUR TEMPERATURE	CRI	TC LIFETIME	BEAM ANGLE	mA
Δ see colors										
! 4615.001.98.Δ	MR16	~	~	Max. 50W	~	~	~	~	~	~
! 4615.002.98.Δ	Gu10	~	~	Max. 50W	~	~	~	~	~	~
4615.171.20.Δ	LMR50	Bridgelux V6	4x 575LM	4x 6,8W	85LM/W	2700K	>90	30.000 Hrs	20°	350
4615.172.30.Δ	LMR50	Bridgelux V6	4x 575LM	4x 6,8W	85LM/W	2700K	>90	30.000 Hrs	30°	350
4615.173.20.Δ	LMR50	Bridgelux V6	4x 600LM	4x 6,8W	88LM/W	3000K	>90	30.000 Hrs	20°	350
4615.174.30.Δ	LMR50	Bridgelux V6	4x 600LM	4x 6,8W	88LM/W	3000K	>90	30.000 Hrs	30°	350
4615.175.20.Δ	LMR50	Sharp GW6	4x 563LM	4x 6,6W	85LM/W	2000 - 2800K DTW	>80	30.000 Hrs	20°	350
4615.176.30.Δ	LMR50	Sharp GW6	4x 563LM	4x 6,6W	85LM/W	2000 - 2800K DTW	>80	30.000 Hrs	30°	350



PRODUCT MATERIAL	Aluminium and poly-carbonate
LIGHT SOURCE	SMD LED
MODULE LIFETIME	Approx. 40.000 hours
LED COOLING	Passive cooling
DRIVER	Incl. LED driver.
COLORS (Δ)	○ 3 = RAL 9003 white
BEAM ANGLE	▲ 120° Wide beam
REFLECTOR PLATE	Opal poly-carbonate diffuser
ADJUSTABLE	No
SIZE	300 X 300 X 40MM



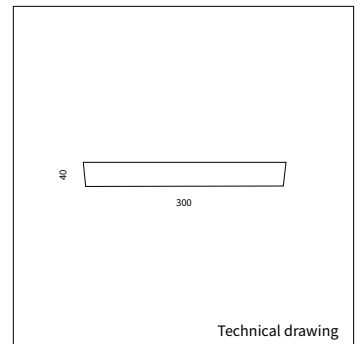
INFORMATION

WARRANTY	3 Years
-----------------	---------

IP 54: For indoor use only

Keylight International reserves the right to modify or change technical, construction or LED specifications due to continuous improvements of our products and lightsources. The light source in this product can be replaced with an equivalent module made by Philips, Osram or Tridonic.

METEOR SQ



ART.NR.	LAMP TYPE	BRAND	LUMINOUS FLUX	OUTPUT POWER	MODULE EFFICIENCY	COLOUR TEMPERATURE	CRI	TC LIFETIME	POWER FACTOR
Δ see color									
5144.335.18.3	SMD LED	Epistar	1620LM	18W	90LM/W	4000K	>80	40.000 Hrs	>0,9

TRACK LIGHTING







PASO
PAGE 164



CORSO
PAGE 165



FOLLOW UP
PAGE 166



PROO
PAGE 167



CALYPSO T
PAGE 168



LEDIMO 10
PAGE 172



LEDIMO 20
PAGE 173



SOYUZ
PAGE 174



STAGE
PAGE 175



FORCE
PAGE 176



BILLY
PAGE 181



SPOTTI
PAGE 182



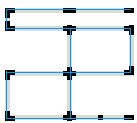
PAR 20
PAGE 183



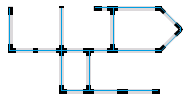
ARTI
PAGE 184



COLT 14
PAGE 185



1F TRACK & ACCESSORIES
PAGE 188



3F TRACK & ACCESSORIES
PAGE 191



MONDI
PAGE 169



LARGO
PAGE 170



LEDIMO 5
PAGE 171



DRUM
PAGE 177



BUS TRACK
PAGE 178



PASO MINI
PAGE 179



ORCUS
PAGE 186



ORCUS PENDEL
PAGE 187

INTERIOR TRACK LIGHTING

1F TRACK & ACCESSORIES	PAGE 188
3F TRACK & ACCESSORIES	PAGE 191
ARTI	PAGE 184
BILLY	PAGE 181
BUSS TRACK	PAGE 178
CALYPSO T	PAGE 168
COLT 14	PAGE 185
CORSO	PAGE 165
DRUM	PAGE 177
FOLLOW UP	PAGE 166
FORCE	PAGE 176
LARGO	PAGE 170
LEDIMO 5	PAGE 171
LEDIMO 10	PAGE 172
LEDIMO 20	PAGE 173
MONDI	PAGE 169
ORCUS	PAGE 186
ORCUS PENDEL	PAGE 187
PAR 20	PAGE 183
PASO	PAGE 164
PASO MINI	PAGE 179
PROO	PAGE 167
SOYUZ	PAGE 174
SPOTTI	PAGE 182
STAGE	PAGE 175



PRODUCT MATERIAL

Aluminium

ADAPTER

3-phase track adapter

LIGHT SOURCE

SLM G6

DRIVER

Including Xitanium driver

COLORS (Δ)

- 3 = RAL 9003 white
- 5 = RAL 9005 black

BEAM ANGLE



ADJUSTABLE

Horizontally and vertically rotational

SIZE

91 X 220MM



OPTIONS

BEAM LENS

	art. no.: 3047.012.00.0	€ 7,50
	art. no.: 3047.018.00.0	€ 7,50
	art. no.: 3047.035.00.0	€ 7,50

ANTI-GLARE RING

Gold art. no.: 3048.999.00.9 € 9,50

DIMMABLE

Phase-cut dimmable on request

HONEYCOMB

Honey comb art. no.: 3084.933.94.0 € 15,00

PASO

INFORMATION

WARRANTY

5 Years

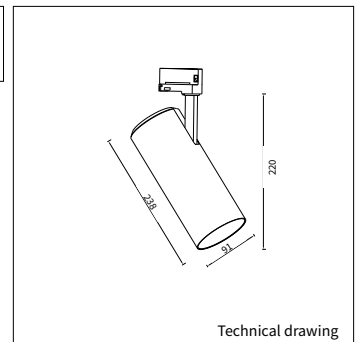
This luminaire is equipped with an innovative lens technology instead of a reflector.
High quality led lens technology. +15% more light output

This luminaire has a **black anti-glare ring** standard included.

Keylight International reserves the right to modify or change technical, construction or LED specifications due to continuous improvements of our products and lightsources. The light source in this product can be replaced with an equivalent module made by Philips, Osram or Tridonic.



Honeycomb



Technical drawing

AVAILABLE SLM OPTIONS

To order the correct product, please replace **COB*** in the article number field with the COB code found on the last page of the catalogue

ARTICLE NUMBER	LUMINOUS FLUX	BRAND	OUTPUT POWER	COLOUR TEMPERATURE	CRI	SETTING	POWER FACTOR
3048. COB* .25.Δ	1100	Philips SLM G6	7W	827 / 830 / 835 / 840 / 850	>80	High Efficiency	>0,9
3048. COB* .25.Δ	1100	Philips SLM G6	8W	927 / 930	>90	High Efficiency	>0,9
3048. COB* .25.Δ	1100	Philips SLM G6	7W	830 Premium White	>80	High Efficiency	>0,9
3048. COB* .25.Δ	1100	Philips SLM G6	8W	930 / 935 / 940 Premium White	>90	High Efficiency	>0,9
3048. COB* .25.Δ	1100	Philips SLM G6	10W	930 Crisp White (930 CW)	>90	High Efficiency	>0,9
3048. COB* .25.Δ	1100	Philips SLM G6	11W	Food Warm White (FWW)	84	High Efficiency	>0,9
3048. COB* .25.Δ	1100	Philips SLM G6	11W	Food Premium Red (FPR)	88	High Efficiency	>0,9
3048. COB* .25.Δ	2000	Philips SLM G6	13W	827 / 830 / 835 / 840 / 850	>80	High Efficiency	>0,9
3048. COB* .25.Δ	2000	Philips SLM G6	17W	927 / 930	>90	High Efficiency	>0,9
3048. COB* .25.Δ	2000	Philips SLM G6	14W	830 Premium White	>80	High Efficiency	>0,9
3048. COB* .25.Δ	2000	Philips SLM G6	16W	930 / 935 / 940 Premium White	>90	High Efficiency	>0,9
3048. COB* .25.Δ	2000	Philips SLM G6	21W	930 Crisp White (930 CW)	>90	High Efficiency	>0,9
3048. COB* .25.Δ	2000	Philips SLM G6	23W	Food Warm White (FWW)	84	High Efficiency	>0,9
3048. COB* .25.Δ	2000	Philips SLM G6	22W	Food Premium Red (FPR)	88	High Efficiency	>0,9
3048. COB* .25.Δ	3000	Philips SLM G6	19W	827 / 830 / 835 / 840 / 850 / 857	>80	High Efficiency	>0,9
3048. COB* .25.Δ	3000	Philips SLM G6	26W	927 / 930	>90	High Efficiency	>0,9
3048. COB* .25.Δ	3000	Philips SLM G6	20W	830 Premium White	>80	High Efficiency	>0,9
3048. COB* .25.Δ	3000	Philips SLM G6	25W	930 / 935 / 940 Premium White	>90	High Efficiency	>0,9
3048. COB* .25.Δ	3000	Philips SLM G6	32W	930 Crisp White (930 CW)	>90	High Efficiency	>0,9
3048. COB* .24.Δ	4500	Philips SLM G6	29W	827 / 830 / 835 / 840 / 850 / 857	>80	High Efficiency	>0,9
3048. COB* .24.Δ	4500	Philips SLM G6	30W	830 Premium White	>80	High Efficiency	>0,9

! High efficiency is the standard Keylight setting for all SLM G6 LED modules. For technical and warranty information regarding high efficiency, see last page of the catalogue. Standard system warranty is 5 years.



PRODUCT MATERIAL	Aluminium
ADAPTER	3-phase track adapter
LIGHT SOURCE	Fortimo SLM G6
DRIVER	Incl. Xitanium driver
COLORS (Δ)	○ 3 = RAL 9003 white ● 5 = RAL 9005 black
BEAM ANGLE	25°
ADJUSTABLE	Horizontally and vertically rotational
SIZE	78 X 129MM



OPTIONS

BEAM LENS	12°	art. no.: 3047.012.00.0	€ 7,50
	18°	art. no.: 3047.018.00.0	€ 7,50
	35°	art. no.: 3047.035.00.0	€ 7,50
ANTI-GLARE RING	Gold	art. no.: 3047.999.00.9	€ 9,50
DIMMABLE	Phase-cut dimmable on request		
HONEYCOMB	Honey comb	art. no.: 3084.933.94.0	€ 15,00

INFORMATION

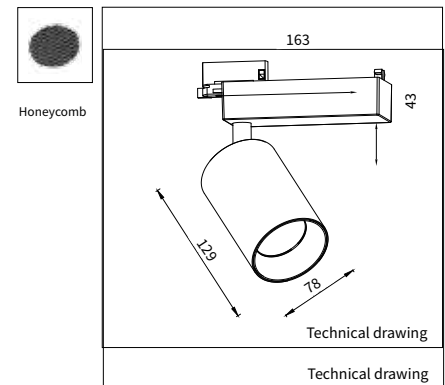
WARRANTY	5 Years
-----------------	---------

This luminaire is equipped with an innovative lens technology instead of a reflector. **High quality led lens technology. +15% more light output**

This luminaire has a **black anti-glare ring** standard included.

Keylight International reserves the right to modify or change technical, construction or LED specifications due to continuous improvements of our products and light sources. The light source in this product can be replaced with an equivalent module made by Philips, Osram or Tridonic.

CORSO



AVAILABLE SLM OPTIONS

To order the correct product, please replace **COB*** in the article number field with the COB code found on the last page of the catalogue

ARTICLE NUMBER	LUMINOUS FLUX	BRAND	OUTPUT POWER	COLOUR TEMPERATURE	CRI	SETTING	POWER FACTOR
3047. COB* .25.Δ	1100	Philips SLM G6	7W	827 / 830 / 835 / 840 / 850	>80	High Efficiency	>0,9
3048. COB* .25.Δ	1100	Philips SLM G6	8W	927 / 930	>90	High Efficiency	>0,9
3047. COB* .25.Δ	1100	Philips SLM G6	7W	830 Premium White	>80	High Efficiency	>0,9
3047. COB* .25.Δ	1100	Philips SLM G6	8W	930 / 935 / 940 Premium White	>90	High Efficiency	>0,9
3047. COB* .25.Δ	1100	Philips SLM G6	10W	930 Crisp White (930 CW)	>90	High Efficiency	>0,9
3047. COB* .25.Δ	1100	Philips SLM G6	11W	Food Warm White (FWW)	84	High Efficiency	>0,9
3047. COB* .25.Δ	1100	Philips SLM G6	11W	Food Premium Red (FPR)	88	High Efficiency	>0,9
3047. COB* .25.Δ	2000	Philips SLM G6	13W	827 / 830 / 835 / 840 / 850	>80	High Efficiency	>0,9
3047. COB* .25.Δ	2000	Philips SLM G6	17W	927 / 930	>90	High Efficiency	>0,9
3047. COB* .25.Δ	2000	Philips SLM G6	14W	830 Premium White	>80	High Efficiency	>0,9
3047. COB* .25.Δ	2000	Philips SLM G6	16W	930 / 935 / 940 Premium White	>90	High Efficiency	>0,9
3047. COB* .25.Δ	2000	Philips SLM G6	21W	930 Crisp White (930 CW)	>90	High Efficiency	>0,9
3047. COB* .25.Δ	2000	Philips SLM G6	23W	Food Warm White (FWW)	84	High Efficiency	>0,9
3047. COB* .25.Δ	2000	Philips SLM G6	22W	Food Premium Red (FPR)	88	High Efficiency	>0,9
3047. COB* .25.Δ	3000	Philips SLM G6	19W	827 / 830 / 835 / 840 / 850 / 857	>80	High Efficiency	>0,9
3047. COB* .25.Δ	3000	Philips SLM G6	26W	927 / 930	>90	High Efficiency	>0,9
3047. COB* .25.Δ	3000	Philips SLM G6	20W	830 Premium White	>80	High Efficiency	>0,9
3047. COB* .25.Δ	3000	Philips SLM G6	25W	930 / 935 / 940 Premium White	>90	High Efficiency	>0,9
3047. COB* .25.Δ	3000	Philips SLM G6	32W	930 Crisp White (930 CW)	>90	High Efficiency	>0,9
3047. COB* .25.Δ	4500	Philips SLM G6	29W	827 / 830 / 835 / 840 / 850 / 857	>80	High Efficiency	>0,9
3047. COB* .24.Δ	4500	Philips SLM G6	30W	830 Premium White	>80	High Efficiency	>0,9

High efficiency is the standard Keylight setting for all SLM G6 LED modules. For technical and warranty information regarding high efficiency, see last page of the catalogue. Standard system warranty is 5 years.



PRODUCT MATERIAL	Die-cast aluminium
ADAPTER	3-phase track adapter
LIGHT SOURCE	Fortimo SLM G6
MODULE LIFETIME	Approx. 50.000 hours
LED COOLING	Passive cooling
DRIVER	Incl. titanium driver
COLORS (Δ)	○ 3 = RAL 9003 white ● 5 = RAL 9005 black
BEAM ANGLE	24°
ADJUSTABLE	Horizontally and vertically rotational
SIZE	240X236MM



OPTIONS

OPTIONAL BEAM ANGLES	12° art. no.: 3021.012.00.0	€ 5,00
	36° art. no.: 3021.036.00.0	€ 5,00
DIFFUSER	0180.999.99 (frosted diffuser)	€ 7,50
DIFFUSER W/ HOLE	0185.999.99 (frosted diffuser)	€ 7,50
BARN DOOR	3020.500.00.5	€ 24,50

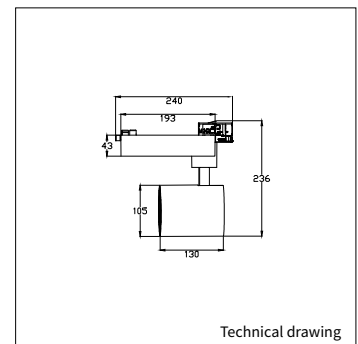
INFORMATION

WARRANTY	5 Years
-----------------	---------

Δ = product color code. See colors
Long-life patented LED cooling system.

Keylight International reserves the right to modify or change technical, construction or LED specifications due to continuous improvements of our products and light sources. The light source in this product can be replaced with an equivalent module made by Philips, Osram or Tridonic.

FOLLOW UP



AVAILABLE SLM OPTIONS

To order the correct product, please replace **COB*** in the article number field with the COB code found on the last page of the catalogue

ARTICLE NUMBER	LUMINOUS FLUX	BRAND	OUTPUT POWER	COLOUR TEMPERATURE	CRI	SETTING	POWER FACTOR
3025. COB* .24.Δ	1100	Philips SLM G6	7W	827 / 830 / 835 / 840 / 850	>80	High Efficiency	>0,9
3025. COB* .24.Δ	1100	Philips SLM G6	8W	927 / 930	>90	High Efficiency	>0,9
3025. COB* .24.Δ	1100	Philips SLM G6	7W	830 Premium White	>80	High Efficiency	>0,9
3025. COB* .24.Δ	1100	Philips SLM G6	8W	930 / 935 / 940 Premium White	>90	High Efficiency	>0,9
3025. COB* .24.Δ	1100	Philips SLM G6	10W	930 Crisp White (930 CW)	>90	High Efficiency	>0,9
3025. COB* .24.Δ	1100	Philips SLM G6	11W	Food Warm White (FWW)	84	High Efficiency	>0,9
3025. COB* .24.Δ	1100	Philips SLM G6	11W	Food Premium Red (FPR)	88	High Efficiency	>0,9
3025. COB* .24.Δ	2000	Philips SLM G6	13W	827 / 830 / 835 / 840 / 850	>80	High Efficiency	>0,9
3025. COB* .24.Δ	2000	Philips SLM G6	17W	927 / 930	>90	High Efficiency	>0,9
3025. COB* .24.Δ	2000	Philips SLM G6	14W	830 Premium White	>80	High Efficiency	>0,9
3025. COB* .24.Δ	2000	Philips SLM G6	16W	930 / 935 / 940 Premium White	>90	High Efficiency	>0,9
3025. COB* .24.Δ	2000	Philips SLM G6	21W	930 Crisp White (930 CW)	>90	High Efficiency	>0,9
3025. COB* .24.Δ	2000	Philips SLM G6	23W	Food Warm White (FWW)	84	High Efficiency	>0,9
3025. COB* .24.Δ	2000	Philips SLM G6	22W	Food Premium Red (FPR)	88	High Efficiency	>0,9
3025. COB* .24.Δ	3000	Philips SLM G6	19W	827 / 830 / 835 / 840 / 850 / 857	>80	High Efficiency	>0,9
3025. COB* .24.Δ	3000	Philips SLM G6	26W	927 / 930	>90	High Efficiency	>0,9
3025. COB* .24.Δ	3000	Philips SLM G6	20W	830 Premium White	>80	High Efficiency	>0,9
3025. COB* .24.Δ	3000	Philips SLM G6	25W	930 / 935 / 940 Premium White	>90	High Efficiency	>0,9
3025. COB* .24.Δ	3000	Philips SLM G6	32W	930 Crisp White (930 CW)	>90	High Efficiency	>0,9
3025. COB* .24.Δ	3000	Philips SLM G6	39W	Food Warm White (FWW)	84	High Efficiency	>0,9
3025. COB* .24.Δ	3000	Philips SLM G6	37W	Food Premium Red (FPR)	88	High Efficiency	>0,9
3025. COB* .24.Δ	4500	Philips SLM G6	29W	827 / 830 / 835 / 840 / 850 / 857	>80	High Efficiency	>0,9
3025. COB* .24.Δ	4500	Philips SLM G6	38W	927 / 930	>90	High Efficiency	>0,9
3025. COB* .24.Δ	4500	Philips SLM G6	30W	830 Premium White	>80	High Efficiency	>0,9
3025. COB* .24.Δ	4500	Philips SLM G6	37W	930 / 935 / 940 Premium White	>90	High Efficiency	>0,9
3025. COB* .24.Δ	4000	Philips SLM G6	45W	930 Crisp White (930 CW)	>90	High Efficiency	>0,9
3025. COB* .24.Δ	4000	Philips SLM G6	46W	Food Warm White (FWW)	84	High Efficiency	>0,9
3025. COB* .24.Δ	4000	Philips SLM G6	46W	Food Premium Red (FPR)	88	High Efficiency	>0,9

! High efficiency is the standard Keylight setting for all SLM G6 LED modules. For technical and warranty information regarding high efficiency, see last page of the catalogue.



PRODUCT MATERIAL	Die-cast aluminium
ADAPTER	3-phase track adapter
LIGHT SOURCE	SLM G6
DRIVER	Including Xitanium driver
COLORS (Δ)	○ 3 = RAL 9003 white ● 5 = RAL 9005 black
BEAM ANGLE	25°
ADJUSTABLE	Horizontally and vertically rotational
SIZE	110 X 155MM



OPTIONS

REFLECTOR	18° art. no.: 3052.018.00.0	€ 5,00
	36° art. no.: 3052.035.00.0	€ 5,00
ANTI-GLARE RING	Gold art. no.: 3052.999.00.9	€ 9,50

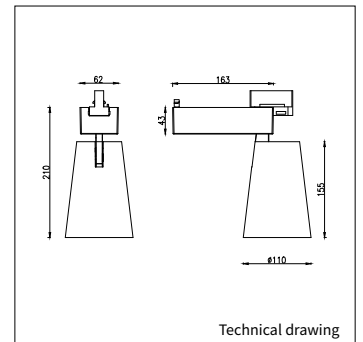
INFORMATION

WARRANTY	5 Years
-----------------	---------

This luminaire has a **black anti-glare ring** standard included.

Keylight International reserves the right to modify or change technical, construction or LED specifications due to continuous improvements of our products and light sources. The light source in this product can be replaced with an equivalent module made by Philips, Osram or Tridonic.

PROO



AVAILABLE SLM OPTIONS

To order the correct product, please replace **COB*** in the article number field with the COB code found on the last page of the catalogue

ARTICLE NUMBER	LUMINOUS FLUX	BRAND	OUTPUT POWER	COLOUR TEMPERATURE	CRI	SETTING	POWER FACTOR
3052. COB* .25.Δ	1100	Philips SLM G6	7W	827 / 830 / 835 / 840 / 850	>80	High Efficiency	>0,9
3052. COB* .25.Δ	1100	Philips SLM G6	8W	927 / 930	>90	High Efficiency	>0,9
3052. COB* .25.Δ	1100	Philips SLM G6	7W	830 Premium White	>80	High Efficiency	>0,9
3052. COB* .25.Δ	1100	Philips SLM G6	8W	930 / 935 / 940 Premium White	>90	High Efficiency	>0,9
3052. COB* .25.Δ	1100	Philips SLM G6	10W	930 Crisp White (930 CW)	>90	High Efficiency	>0,9
3052. COB* .25.Δ	1100	Philips SLM G6	11W	Food Warm White (FWW)	84	High Efficiency	>0,9
3052. COB* .25.Δ	1100	Philips SLM G6	11W	Food Premium Red (FPR)	88	High Efficiency	>0,9
3052. COB* .25.Δ	2000	Philips SLM G6	13W	827 / 830 / 835 / 840 / 850	>80	High Efficiency	>0,9
3052. COB* .25.Δ	2000	Philips SLM G6	17W	927 / 930	>90	High Efficiency	>0,9
3052. COB* .25.Δ	2000	Philips SLM G6	14W	830 Premium White	>80	High Efficiency	>0,9
3052. COB* .25.Δ	2000	Philips SLM G6	16W	930 / 935 / 940 Premium White	>90	High Efficiency	>0,9
3052. COB* .25.Δ	2000	Philips SLM G6	21W	930 Crisp White (930 CW)	>90	High Efficiency	>0,9
3052. COB* .25.Δ	2000	Philips SLM G6	23W	Food Warm White (FWW)	84	High Efficiency	>0,9
3052. COB* .25.Δ	2000	Philips SLM G6	22W	Food Premium Red (FPR)	88	High Efficiency	>0,9
3052. COB* .25.Δ	3000	Philips SLM G6	19W	827 / 830 / 835 / 840 / 850 / 857	>80	High Efficiency	>0,9
3052. COB* .25.Δ	3000	Philips SLM G6	26W	927 / 930	>90	High Efficiency	>0,9
3052. COB* .25.Δ	3000	Philips SLM G6	20W	830 Premium White	>80	High Efficiency	>0,9
3052. COB* .25.Δ	3000	Philips SLM G6	25W	930 / 935 / 940 Premium White	>90	High Efficiency	>0,9
3052. COB* .25.Δ	3000	Philips SLM G6	32W	930 Crisp White (930 CW)	>90	High Efficiency	>0,9
3052. COB* .25.Δ	4500	Philips SLM G6	29W	827 / 830 / 835 / 840 / 850 / 857	>80	High Efficiency	>0,9
3052. COB* .24.Δ	4500	Philips SLM G6	30W	830 Premium White	>80	High Efficiency	>0,9

High efficiency is the standard Keylight setting for all SLM G6 LED modules. For technical and warranty information regarding high efficiency, see last page of the catalogue. Standard system warranty is 5 years.



PRODUCT MATERIAL	Die-cast aluminium
ADAPTER	3-phase track adapter
LIGHT SOURCE	Fortimo SLM G6
DRIVER	Incl. Xitanium driver
COLORS (Δ)	○ 3 = RAL 9003 white ● 5 = RAL 9005 black
BEAM ANGLE	24°
ADJUSTABLE	Horizontally and vertically rotational
SIZE	95/198 X 122/209MM



OPTIONS

OPTIONAL BEAM ANGLES	18°	art. no.: 3045.018.00.0	€ 7,50
	36°	art. no.: 3045.038.00.0	€ 7,50

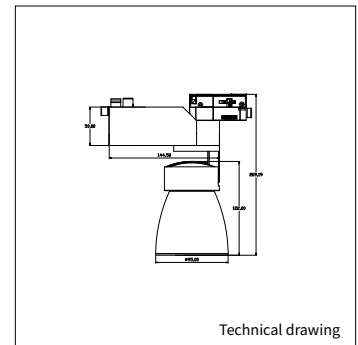
INFORMATION

WARRANTY	5 Years
-----------------	---------

CALYPSO T

This luminaire is equipped with an innovative lens technology instead of a reflector.
High quality led lens technology. +15% more light output

Keylight International reserves the right to modify or change technical, construction or LED specifications due to continuous improvements of our products and lightsources. The light source in this product can be replaced with an equivalent module made by Philips, Osram or Tridonic.



AVAILABLE SLM OPTIONS

To order the correct product, please replace **COB*** in the article number field with the COB code found on the last page of the catalogue

ARTICLE NUMBER Δ See colors	LUMINOUS FLUX	BRAND	OUTPUT POWER	COLOUR TEMPERATURE	CRI	SETTING	POWER FACTOR
3045.COB*.24.Δ	1100	Philips SLM G6	7W	827 / 830 / 835 / 840 / 850	>80	High Efficiency	>0,9
3045.COB*.24.Δ	1100	Philips SLM G6	8W	927 / 930	>90	High Efficiency	>0,9
3045.COB*.24.Δ	1100	Philips SLM G6	7W	830 Premium White	>80	High Efficiency	>0,9
3045.COB*.24.Δ	1100	Philips SLM G6	8W	930 / 935 / 940 Premium White	>90	High Efficiency	>0,9
3045.COB*.24.Δ	1100	Philips SLM G6	10W	930 Crisp White (930 CW)	>90	High Efficiency	>0,9
3045.COB*.24.Δ	1100	Philips SLM G6	11W	Food Warm White (FWW)	84	High Efficiency	>0,9
3045.COB*.24.Δ	1100	Philips SLM G6	11W	Food Premium Red (FPR)	88	High Efficiency	>0,9
3045.COB*.24.Δ	2000	Philips SLM G6	13W	827 / 830 / 835 / 840 / 850	>80	High Efficiency	>0,9
3045.COB*.24.Δ	2000	Philips SLM G6	17W	927 / 930	>90	High Efficiency	>0,9
3045.COB*.24.Δ	2000	Philips SLM G6	14W	830 Premium White	>80	High Efficiency	>0,9
3045.COB*.24.Δ	2000	Philips SLM G6	16W	930 / 935 / 940 Premium White	>90	High Efficiency	>0,9
3045.COB*.24.Δ	2000	Philips SLM G6	21W	930 Crisp White (930 CW)	>90	High Efficiency	>0,9
3045.COB*.24.Δ	2000	Philips SLM G6	23W	Food Warm White (FWW)	84	High Efficiency	>0,9
3045.COB*.24.Δ	2000	Philips SLM G6	22W	Food Premium Red (FPR)	88	High Efficiency	>0,9
3045.COB*.24.Δ	3000	Philips SLM G6	19W	827 / 830 / 835 / 840 / 850 / 857	>80	High Efficiency	>0,9
3045.COB*.24.Δ	3000	Philips SLM G6	26W	927 / 930	>90	High Efficiency	>0,9
3045.COB*.24.Δ	3000	Philips SLM G6	20W	830 Premium White	>80	High Efficiency	>0,9
3045.COB*.24.Δ	3000	Philips SLM G6	25W	930 / 935 / 940 Premium White	>90	High Efficiency	>0,9
3045.COB*.24.Δ	3000	Philips SLM G6	32W	930 Crisp White (930 CW)	>90	High Efficiency	>0,9
3045.COB*.24.Δ	3000	Philips SLM G6	39W	Food Warm White (FWW)	84	High Efficiency	>0,9
3045.COB*.24.Δ	3000	Philips SLM G6	37W	Food Premium Red (FPR)	88	High Efficiency	>0,9
3045.COB*.24.Δ	4500	Philips SLM G6	29W	827 / 830 / 835 / 840 / 850 / 857	>80	High Efficiency	>0,9
3045.COB*.24.Δ	4500	Philips SLM G6	38W	927 / 930	>90	High Efficiency	>0,9
3045.COB*.24.Δ	4500	Philips SLM G6	30W	830 Premium White	>80	High Efficiency	>0,9
3045.COB*.24.Δ	4500	Philips SLM G6	37W	930 / 935 / 940 Premium White	>90	High Efficiency	>0,9

! High efficiency is the standard Keylight setting for all SLM G6 LED modules. For technical and warranty information regarding high efficiency, see last page of the catalogue. Standard system warranty is 5 years.



PRODUCT MATERIAL

Die-cast aluminium

ADAPTER

3-phase track adapter

LIGHT SOURCE

Fortimo SLM G6

MODULE LIFETIME

Approx. 50.000 hours

LED COOLING

Passive cooling

DRIVER

Incl. xitanium driver

COLORS (Δ)

- 3 = RAL 9003 white
- 5 = RAL 9005 black
- 6 = RAL 9006 alu

BEAM ANGLE



Horizontally and vertically rotational

ADJUSTABLE

SIZE

117 X 240MM



OPTIONS

OPTIONAL BEAM ANGLES

	15°	art. no.: 4391.015.00.0	€ 5,00
	36°	art. no.: 4391.036.00.0	€ 5,00
	50°	art. no.: 4391.050.00.0	€ 5,00

DIMMABLE

Dimmable DALI up till 25W € 75,00

DIFFUSER

0182.999.99 (frosted diffuser) € 7,50

DIFFUSER W/ HOLE

0184.999.99 (frosted diffuser) € 7,50

INFORMATION

WARRANTY

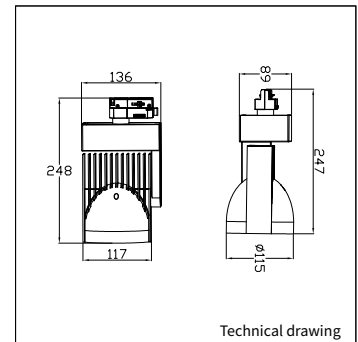
5 Years

Δ = product color code. See colors

Long-life patented LED cooling system.

Keylight International reserves the right to modify or change technical, construction or LED specifications due to continuous improvements of our products and lightsources. The light source in this product can be replaced with an equivalent module made by Philips, Osram or Tridonic.

MONDI



Technical drawing

AVAILABLE SLM OPTIONS

To order the correct product, please replace **COB*** in the article number field with the COB code found on the last page of the catalogue

ARTICLE NUMBER	LUMINOUS FLUX	BRAND	OUTPUT POWER	COLOUR TEMPERATURE	CRI	SETTING	POWER FACTOR
3032. COB* .24.Δ	1100	Philips SLM G6	7W	827 / 830 / 835 / 840 / 850	>80	High Efficiency	>0,9
3032. COB* .24.Δ	1100	Philips SLM G6	8W	927 / 930	>90	High Efficiency	>0,9
3032. COB* .24.Δ	1100	Philips SLM G6	7W	830 Premium White	>80	High Efficiency	>0,9
3032. COB* .24.Δ	1100	Philips SLM G6	8W	930 / 935 / 940 Premium White	>90	High Efficiency	>0,9
3032. COB* .24.Δ	1100	Philips SLM G6	10W	930 Crisp White (930 CW)	>90	High Efficiency	>0,9
3032. COB* .24.Δ	1100	Philips SLM G6	11W	Food Warm White (FWW)	84	High Efficiency	>0,9
3032. COB* .24.Δ	1100	Philips SLM G6	11W	Food Premium Red (FPR)	88	High Efficiency	>0,9
3032. COB* .24.Δ	2000	Philips SLM G6	13W	827 / 830 / 835 / 840 / 850	>80	High Efficiency	>0,9
3032. COB* .24.Δ	2000	Philips SLM G6	17W	927 / 930	>90	High Efficiency	>0,9
3032. COB* .24.Δ	2000	Philips SLM G6	14W	830 Premium White	>80	High Efficiency	>0,9
3032. COB* .24.Δ	2000	Philips SLM G6	16W	930 / 935 / 940 Premium White	>90	High Efficiency	>0,9
3032. COB* .24.Δ	2000	Philips SLM G6	21W	930 Crisp White (930 CW)	>90	High Efficiency	>0,9
3032. COB* .24.Δ	2000	Philips SLM G6	23W	Food Warm White (FWW)	84	High Efficiency	>0,9
3032. COB* .24.Δ	2000	Philips SLM G6	22W	Food Premium Red (FPR)	88	High Efficiency	>0,9
3032. COB* .24.Δ	3000	Philips SLM G6	19W	827 / 830 / 835 / 840 / 850 / 857	>80	High Efficiency	>0,9
3032. COB* .24.Δ	3000	Philips SLM G6	26W	927 / 930	>90	High Efficiency	>0,9
3032. COB* .24.Δ	3000	Philips SLM G6	20W	830 Premium White	>80	High Efficiency	>0,9
3032. COB* .24.Δ	3000	Philips SLM G6	25W	930 / 935 / 940 Premium White	>90	High Efficiency	>0,9
3032. COB* .24.Δ	3000	Philips SLM G6	32W	930 Crisp White (930 CW)	>90	High Efficiency	>0,9
3032. COB* .24.Δ	3000	Philips SLM G6	39W	Food Warm White (FWW)	84	High Efficiency	>0,9
3032. COB* .24.Δ	3000	Philips SLM G6	37W	Food Premium Red (FPR)	88	High Efficiency	>0,9
3032. COB* .24.Δ	4500	Philips SLM G6	29W	827 / 830 / 835 / 840 / 850 / 857	>80	High Efficiency	>0,9
3032. COB* .24.Δ	4500	Philips SLM G6	38W	927 / 930	>90	High Efficiency	>0,9
3032. COB* .24.Δ	4500	Philips SLM G6	30W	830 Premium White	>80	High Efficiency	>0,9
3032. COB* .24.Δ	4500	Philips SLM G6	37W	930 / 935 / 940 Premium White	>90	High Efficiency	>0,9
3032. COB* .24.Δ	4500	Philips SLM G6	45W	930 Crisp White (930 CW)	>90	High Efficiency	>0,9
3032. COB* .24.Δ	4500	Philips SLM G6	46W	Food Warm White (FWW)	84	High Efficiency	>0,9
3032. COB* .24.Δ	4500	Philips SLM G6	46W	Food Premium Red (FPR)	88	High Efficiency	>0,9

i High efficiency is the standard Keylight setting for all SLM G6 LED modules. For technical and warranty information regarding high efficiency, see last page of the catalogue.



LARGO

PRODUCT MATERIAL	Die-cast aluminium
ADAPTER	3-phase track adapter
LIGHT SOURCE	Fortimo SLM G6
MODULE LIFETIME	Approx. 50.000 hours
LED COOLING	Passive cooling
DRIVER	Incl. xitanium driver
COLORS (Δ)	○ + ● 35 = RAL 9003 + black
BEAM ANGLE	24°
ADJUSTABLE	Horizontally and vertically rotational
SIZE	232 X 110MM



LARGO

OPTIONS

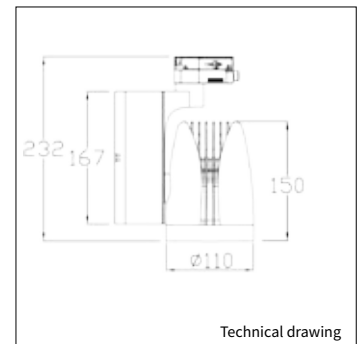
OPTIONAL BEAM ANGLES	15°	art. no.: 4391.015.00.0	€ 5,00
	36°	art. no.: 4391.036.00.0	€ 5,00
	50°	art. no.: 4391.050.00.0	€ 5,00
DIFFUSER	0182.999.99 (frosted diffuser)		€ 7,50
DIFFUSER W/ HOLE	0184.999.99 (frosted diffuser)		€ 7,50

INFORMATION

WARRANTY	5 Years
-----------------	---------

Δ = product color code. See colors
Long-life patented LED cooling system.

Keylight International reserves the right to modify or change technical, construction or LED specifications due to continuous improvements of our products and light sources. The light source in this product can be replaced with an equivalent module made by Philips, Osram or Tridonic.



Technical drawing

AVAILABLE SLM OPTIONS

To order the correct product, please replace **COB*** in the article number field with the COB code found on the last page of the catalogue

ARTICLE NUMBER	LUMINOUS FLUX	BRAND	OUTPUT POWER	COLOUR TEMPERATURE	CRI	SETTING	POWER FACTOR
3040. COB* .24.Δ	1100	Philips SLM G6	7W	827 / 830 / 835 / 840 / 850	>80	High Efficiency	>0,9
3040. COB* .24.Δ	1100	Philips SLM G6	8W	927 / 930	>90	High Efficiency	>0,9
3040. COB* .24.Δ	1100	Philips SLM G6	7W	830 Premium White	>80	High Efficiency	>0,9
3040. COB* .24.Δ	1100	Philips SLM G6	8W	930 / 935 / 940 Premium White	>90	High Efficiency	>0,9
3040. COB* .24.Δ	1100	Philips SLM G6	10W	930 Crisp White (930 CW)	>90	High Efficiency	>0,9
3040. COB* .24.Δ	1100	Philips SLM G6	11W	Food Warm White (FWW)	84	High Efficiency	>0,9
3040. COB* .24.Δ	1100	Philips SLM G6	11W	Food Premium Red (FPR)	88	High Efficiency	>0,9
3040. COB* .24.Δ	2000	Philips SLM G6	13W	827 / 830 / 835 / 840 / 850	>80	High Efficiency	>0,9
3040. COB* .24.Δ	2000	Philips SLM G6	17W	927 / 930	>90	High Efficiency	>0,9
3040. COB* .24.Δ	2000	Philips SLM G6	14W	830 Premium White	>80	High Efficiency	>0,9
3040. COB* .24.Δ	2000	Philips SLM G6	16W	930 / 935 / 940 Premium White	>90	High Efficiency	>0,9
3040. COB* .24.Δ	2000	Philips SLM G6	21W	930 Crisp White (930 CW)	>90	High Efficiency	>0,9
3040. COB* .24.Δ	2000	Philips SLM G6	23W	Food Warm White (FWW)	84	High Efficiency	>0,9
3040. COB* .24.Δ	2000	Philips SLM G6	22W	Food Premium Red (FPR)	88	High Efficiency	>0,9
3040. COB* .24.Δ	3000	Philips SLM G6	19W	827 / 830 / 835 / 840 / 850 / 857	>80	High Efficiency	>0,9
3040. COB* .24.Δ	3000	Philips SLM G6	26W	927 / 930	>90	High Efficiency	>0,9
3040. COB* .24.Δ	3000	Philips SLM G6	20W	830 Premium White	>80	High Efficiency	>0,9
3040. COB* .24.Δ	3000	Philips SLM G6	25W	930 / 935 / 940 Premium White	>90	High Efficiency	>0,9
3040. COB* .24.Δ	3000	Philips SLM G6	32W	930 Crisp White (930 CW)	>90	High Efficiency	>0,9
3040. COB* .24.Δ	3000	Philips SLM G6	39W	Food Warm White (FWW)	84	High Efficiency	>0,9
3040. COB* .24.Δ	3000	Philips SLM G6	37W	Food Premium Red (FPR)	88	High Efficiency	>0,9
3040. COB* .24.Δ	4500	Philips SLM G6	29W	827 / 830 / 835 / 840 / 850 / 857	>80	High Efficiency	>0,9
3040. COB* .24.Δ	4500	Philips SLM G6	38W	927 / 930	>90	High Efficiency	>0,9
3040. COB* .24.Δ	4500	Philips SLM G6	30W	830 Premium White	>80	High Efficiency	>0,9
3040. COB* .24.Δ	4500	Philips SLM G6	37W	930 / 935 / 940 Premium White	>90	High Efficiency	>0,9
3040. COB* .24.Δ	4500	Philips SLM G6	45W	930 Crisp White (930 CW)	>90	High Efficiency	>0,9
3040. COB* .24.Δ	4500	Philips SLM G6	46W	Food Warm White (FWW)	84	High Efficiency	>0,9
3040. COB* .24.Δ	4500	Philips SLM G6	46W	Food Premium Red (FPR)	88	High Efficiency	>0,9

! High efficiency is the standard Keylight setting for all SLM G6 LED modules. For technical and warranty information regarding high efficiency, see last page of the catalogue.

LEDIMO 5



PRODUCT MATERIAL	Die-cast aluminium
ADAPTER	3-phase track adapter
LIGHT SOURCE	Fortimo SLM G6
MODULE LIFETIME	Approx. 50.000 hours
LED COOLING	Passive cooling
DRIVER	Incl. xitanium driver
COLORS (Δ)	<ul style="list-style-type: none"> ○ 3 = RAL 9003 white ● 5 = RAL 9005 black ● 6 = RAL 9006 alu
BEAM ANGLE	24°
ADJUSTABLE	Horizontally and vertically rotational
SIZE	75 X 160MM



OPTIONS

OPTIONAL BEAM ANGLE	36°	art. no.: 3023.036.00.0	€ 5,00
DIMMABLE	Phase-cut dimmable 18W	art. no.: 0115.500.18.D	€ 27,50
MONO POINT	To fix the track light to the ceiling or wall.		
	Color 3 - 5 - 6		€ 35,00
DIFFUSER	Frosted	art. no.: 0181.999.99	€ 7,50

LEDIMO 5

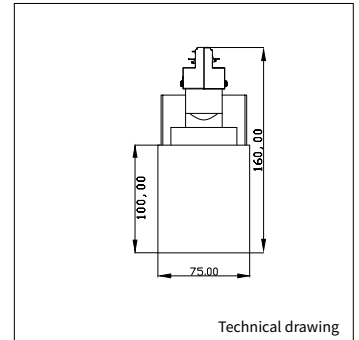
INFORMATION

REFLECTOR RING	Standard black
WARRANTY	5 Years

Δ = product color code. See colors

Long-life patented LED cooling system.

Keylight International reserves the right to modify or change technical, construction or LED specifications due to continuous improvements of our products and light sources. The light source in this product can be replaced with an equivalent module made by Philips, Osram or Tridonic.



Technical drawing

AVAILABLE SLM OPTIONS

To order the correct product, please replace **COB*** in the article number field with the COB code found on the last page of the catalogue

ARTICLE NUMBER	LUMINOUS FLUX	BRAND	OUTPUT POWER	COLOUR TEMPERATURE	CRI	SETTING	POWER FACTOR
3023. COB* .24.Δ	1100	Philips SLM G6	7W	827 / 830 / 835 / 840 / 850	>80	High Efficiency	>0,9
3023. COB* .24.Δ	1100	Philips SLM G6	8W	927 / 930	>90	High Efficiency	>0,9
3023. COB* .24.Δ	1100	Philips SLM G6	7W	830 Premium White	>80	High Efficiency	>0,9
3023. COB* .24.Δ	1100	Philips SLM G6	8W	930 / 935 / 940 Premium White	>90	High Efficiency	>0,9
3023. COB* .24.Δ	1100	Philips SLM G6	10W	930 Crisp White (930 CW)	>90	High Efficiency	>0,9
3023. COB* .24.Δ	1100	Philips SLM G6	11W	Food Warm White (FWW)	84	High Efficiency	>0,9
3023. COB* .24.Δ	1100	Philips SLM G6	11W	Food Premium Red (FPR)	88	High Efficiency	>0,9
3023. COB* .24.Δ	2000	Philips SLM G6	13W	827 / 830 / 835 / 840 / 850	>80	High Efficiency	>0,9
3023. COB* .24.Δ	2000	Philips SLM G6	17W	927 / 930	>90	High Efficiency	>0,9
3023. COB* .24.Δ	2000	Philips SLM G6	14W	830 Premium White	>80	High Efficiency	>0,9
3023. COB* .24.Δ	2000	Philips SLM G6	16W	930 / 935 / 940 Premium White	>90	High Efficiency	>0,9
3023. COB* .24.Δ	2000	Philips SLM G6	21W	930 Crisp White (930 CW)	>90	High Efficiency	>0,9
3023. COB* .24.Δ	2000	Philips SLM G6	23W	Food Warm White (FWW)	84	High Efficiency	>0,9
3023. COB* .24.Δ	2000	Philips SLM G6	22W	Food Premium Red (FPR)	88	High Efficiency	>0,9
3023. COB* .24.Δ	3000	Philips SLM G6	19W	827 / 830 / 835 / 840 / 850 / 857	>80	High Efficiency	>0,9
3023. COB* .24.Δ	3000	Philips SLM G6	20W	830 Premium White	>80	High Efficiency	>0,9

High efficiency is the standard Keylight setting for all SLM G6 LED modules. For technical and warranty information regarding high efficiency, see last page of the catalogue. Standard system warranty is 5 years.

LEDIMO 10



PRODUCT MATERIAL	Die-cast aluminium 3-phase track adapter
LIGHT SOURCE	Fortimo SLM G6
MODULE LIFETIME	Approx. 50.000 hours
LED COOLING	Passive cooling
DRIVER	Incl. xitanium driver
COLORS (Δ)	○ 3 = RAL 9003 white ● 5 = RAL 9005 black ● 6 = RAL 9006 alu
BEAM ANGLE	24°
ADJUSTABLE	Horizontally and vertically rotational
SIZE	203 X 263MM



OPTIONS

OPTIONAL BEAM ANGLES	12° art. no.: 3021.012.00.0 € 5,00
	36° art. no.: 3021.036.00.0 € 5,00
DIMMABLE	Dimmable DALI € 75,00
DIFFUSER	0180.999.99 (frosted diffuser) € 7,50
DIFFUSER W/ HOLE	0185.999.99 (frosted diffuser) € 7,50
BARN DOOR	3020.500.00.5 € 24,50

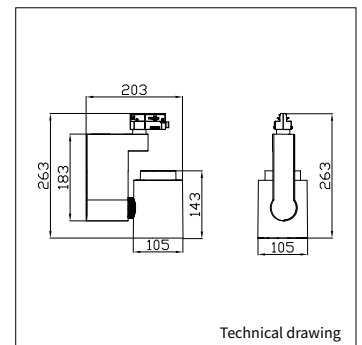
LEDIMO 10

INFORMATION

WARRANTY	5 Years
-----------------	---------

Δ = product color code. See colors
Long-life patented LED cooling system.

Keylight International reserves the right to modify or change technical, construction or LED specifications due to continuous improvements of our products and light sources. The light source in this product can be replaced with an equivalent module made by Philips, Osram or Tridonic.



Technical drawing

AVAILABLE SLM OPTIONS

To order the correct product, please replace **COB*** in the article number field with the COB code found on the last page of the catalogue

ARTICLE NUMBER	LUMINOUS FLUX	BRAND	OUTPUT POWER	COLOUR TEMPERATURE	CRI	SETTING	POWER FACTOR
3021. COB* .24.Δ	1100	Philips SLM G6	7W	827 / 830 / 835 / 840 / 850	>80	High Efficiency	>0,9
3021. COB* .24.Δ	1100	Philips SLM G6	8W	927 / 930	>90	High Efficiency	>0,9
3021. COB* .24.Δ	1100	Philips SLM G6	7W	830 Premium White	>80	High Efficiency	>0,9
3021. COB* .24.Δ	1100	Philips SLM G6	8W	930 / 935 / 940 Premium White	>90	High Efficiency	>0,9
3021. COB* .24.Δ	1100	Philips SLM G6	10W	930 Crisp White (930 CW)	>90	High Efficiency	>0,9
3021. COB* .24.Δ	1100	Philips SLM G6	11W	Food Warm White (FWW)	84	High Efficiency	>0,9
3021. COB* .24.Δ	1100	Philips SLM G6	11W	Food Premium Red (FPR)	88	High Efficiency	>0,9
3021. COB* .24.Δ	2000	Philips SLM G6	13W	827 / 830 / 835 / 840 / 850	>80	High Efficiency	>0,9
3021. COB* .24.Δ	2000	Philips SLM G6	17W	927 / 930	>90	High Efficiency	>0,9
3021. COB* .24.Δ	2000	Philips SLM G6	14W	830 Premium White	>80	High Efficiency	>0,9
3021. COB* .24.Δ	2000	Philips SLM G6	16W	930 / 935 / 940 Premium White	>90	High Efficiency	>0,9
3021. COB* .24.Δ	2000	Philips SLM G6	21W	930 Crisp White (930 CW)	>90	High Efficiency	>0,9
3021. COB* .24.Δ	2000	Philips SLM G6	23W	Food Warm White (FWW)	84	High Efficiency	>0,9
3021. COB* .24.Δ	2000	Philips SLM G6	22W	Food Premium Red (FPR)	88	High Efficiency	>0,9
3021. COB* .24.Δ	3000	Philips SLM G6	19W	827 / 830 / 835 / 840 / 850 / 857	>80	High Efficiency	>0,9
3021. COB* .24.Δ	3000	Philips SLM G6	26W	927 / 930	>90	High Efficiency	>0,9
3021. COB* .24.Δ	3000	Philips SLM G6	20W	830 Premium White	>80	High Efficiency	>0,9
3021. COB* .24.Δ	3000	Philips SLM G6	25W	930 / 935 / 940 Premium White	>90	High Efficiency	>0,9
3021. COB* .24.Δ	3000	Philips SLM G6	32W	930 Crisp White (930 CW)	>90	High Efficiency	>0,9
3021. COB* .24.Δ	3000	Philips SLM G6	39W	Food Warm White (FWW)	84	High Efficiency	>0,9
3021. COB* .24.Δ	3000	Philips SLM G6	37W	Food Premium Red (FPR)	88	High Efficiency	>0,9
3021. COB* .24.Δ	4500	Philips SLM G6	29W	827 / 830 / 835 / 840 / 850 / 857	>80	High Efficiency	>0,9
3021. COB* .24.Δ	4500	Philips SLM G6	38W	927 / 930	>90	High Efficiency	>0,9
3021. COB* .24.Δ	4500	Philips SLM G6	30W	830 Premium White	>80	High Efficiency	>0,9
3021. COB* .24.Δ	4500	Philips SLM G6	37W	930 / 935 / 940 Premium White	>90	High Efficiency	>0,9
3021. COB* .24.Δ	4500	Philips SLM G6	45W	930 Crisp White (930 CW)	>90	High Efficiency	>0,9
3021. COB* .24.Δ	4500	Philips SLM G6	46W	Food Warm White (FWW)	84	High Efficiency	>0,9
3021. COB* .24.Δ	4500	Philips SLM G6	46W	Food Premium Red (FPR)	88	High Efficiency	>0,9

! High efficiency is the standard Keylight setting for all SLM G6 LED modules. For technical and warranty information regarding high efficiency, see last page of the catalogue.



LEDIMO 20

PRODUCT MATERIAL	Die-cast aluminium
ADAPTER	3-phase track adapter
LIGHT SOURCE	Fortimo SLM G6
MODULE LIFETIME	Approx. 50.000 hours
LED COOLING	Passive cooling
DRIVER	Incl. xitanium driver
COLORS (Δ)	<ul style="list-style-type: none"> ○ 3 = RAL 9003 white ● 5 = RAL 9005 black ● 6 = RAL 9006 alu
BEAM ANGLE	24°
ADJUSTABLE	Horizontally and vertically rotational
SIZE	231 X 172MM



OPTIONS

OPTIONAL BEAM ANGLES	<ul style="list-style-type: none"> 12° art. no.: 3021.012.00.0 € 5,00 36° art. no.: 3021.036.00.0 € 5,00
DIFFUSER	0180.999.99 (frosted diffuser) € 7,50
DIFFUSER W/ HOLE	0185.999.99 (frosted diffuser) € 7,50
BARN DOOR	3020.500.00.5 € 24,50

LEDIMO 20

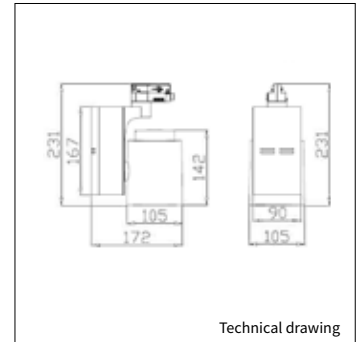
INFORMATION

WARRANTY 5 Years

Δ = product color code. See colors

Long-life patented LED cooling system.

Keylight International reserves the right to modify or change technical, construction or LED specifications due to continuous improvements of our products and light sources. The light source in this product can be replaced with an equivalent module made by Philips, Osram or Tridonic.



Technical drawing

AVAILABLE SLM OPTIONS

To order the correct product, please replace **COB*** in the article number field with the COB code found on the last page of the catalogue

ARTICLE NUMBER	LUMINOUS FLUX	BRAND	OUTPUT POWER	COLOUR TEMPERATURE	CRI	SETTING	POWER FACTOR
3020. COB* .24.Δ	1100	Philips SLM G6	7W	827 / 830 / 835 / 840 / 850	>80	High Efficiency	>0,9
3020. COB* .24.Δ	1100	Philips SLM G6	8W	927 / 930	>90	High Efficiency	>0,9
3020. COB* .24.Δ	1100	Philips SLM G6	7W	830 Premium White	>80	High Efficiency	>0,9
3020. COB* .24.Δ	1100	Philips SLM G6	8W	930 / 935 / 940 Premium White	>90	High Efficiency	>0,9
3020. COB* .24.Δ	1100	Philips SLM G6	10W	930 Crisp White (930 CW)	>90	High Efficiency	>0,9
3020. COB* .24.Δ	1100	Philips SLM G6	11W	Food Warm White (FWW)	84	High Efficiency	>0,9
3020. COB* .24.Δ	1100	Philips SLM G6	11W	Food Premium Red (FPR)	88	High Efficiency	>0,9
3020. COB* .24.Δ	2000	Philips SLM G6	13W	827 / 830 / 835 / 840 / 850	>80	High Efficiency	>0,9
3020. COB* .24.Δ	2000	Philips SLM G6	17W	927 / 930	>90	High Efficiency	>0,9
3020. COB* .24.Δ	2000	Philips SLM G6	14W	830 Premium White	>80	High Efficiency	>0,9
3020. COB* .24.Δ	2000	Philips SLM G6	16W	930 / 935 / 940 Premium White	>90	High Efficiency	>0,9
3020. COB* .24.Δ	2000	Philips SLM G6	21W	930 Crisp White (930 CW)	>90	High Efficiency	>0,9
3020. COB* .24.Δ	2000	Philips SLM G6	23W	Food Warm White (FWW)	84	High Efficiency	>0,9
3020. COB* .24.Δ	2000	Philips SLM G6	22W	Food Premium Red (FPR)	88	High Efficiency	>0,9
3020. COB* .24.Δ	3000	Philips SLM G6	19W	827 / 830 / 835 / 840 / 850 / 857	>80	High Efficiency	>0,9
3020. COB* .24.Δ	3000	Philips SLM G6	26W	927 / 930	>90	High Efficiency	>0,9
3020. COB* .24.Δ	3000	Philips SLM G6	20W	830 Premium White	>80	High Efficiency	>0,9
3020. COB* .24.Δ	3000	Philips SLM G6	25W	930 / 935 / 940 Premium White	>90	High Efficiency	>0,9
3020. COB* .24.Δ	3000	Philips SLM G6	32W	930 Crisp White (930 CW)	>90	High Efficiency	>0,9
3020. COB* .24.Δ	3000	Philips SLM G6	39W	Food Warm White (FWW)	84	High Efficiency	>0,9
3020. COB* .24.Δ	3000	Philips SLM G6	37W	Food Premium Red (FPR)	88	High Efficiency	>0,9
3020. COB* .24.Δ	4500	Philips SLM G6	29W	827 / 830 / 835 / 840 / 850 / 857	>80	High Efficiency	>0,9
3020. COB* .24.Δ	4500	Philips SLM G6	38W	927 / 930	>90	High Efficiency	>0,9
3020. COB* .24.Δ	4500	Philips SLM G6	30W	830 Premium White	>80	High Efficiency	>0,9
3020. COB* .24.Δ	4500	Philips SLM G6	37W	930 / 935 / 940 Premium White	>90	High Efficiency	>0,9
3020. COB* .24.Δ	4500	Philips SLM G6	45W	930 Crisp White (930 CW)	>90	High Efficiency	>0,9
3020. COB* .24.Δ	4500	Philips SLM G6	46W	Food Warm White (FWW)	84	High Efficiency	>0,9
3020. COB* .24.Δ	4500	Philips SLM G6	46W	Food Premium Red (FPR)	88	High Efficiency	>0,9

High efficiency is the standard Keylight setting for all SLM G6 LED modules. For technical and warranty information regarding high efficiency, see last page of the catalogue.



SOYUZ

PRODUCT MATERIAL	Die-cast aluminium
ADAPTER	1-phase or 3-phase
LIGHT SOURCE	Fortimo SLM G6
MODULE LIFETIME	Approx. 50.000 hours
LED COOLING	Passive cooling
DRIVER	Incl. xitanium driver
COLORS (Δ)	○ 3 = RAL 9003 white ● 5 = RAL 9005 black
BEAM ANGLE	27°
ADJUSTABLE	Horizontally and vertically rotational
SIZE	85 X 140MM



OPTIONS

OPTIONAL BEAM ANGLES	21°	art. no.:3030.021.00.0	€ 5,00
	45°	art. no.:3030.045.00.0	€ 5,00
DIMMABLE	Dali dimmable		€ 75,00
1F ADAPTER*	3030.101.01.Δ		incl.
3F ADAPTER*	3030.303.03.Δ		incl.

INFORMATION

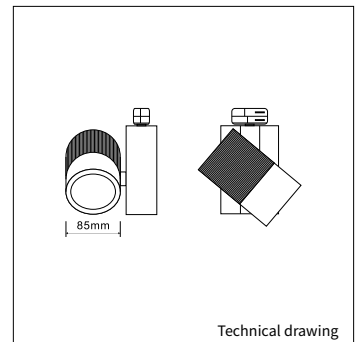
WARRANTY	5 Years
-----------------	---------

Δ = product color code. See colors

* When ordering this luminaire, please order either a 1F adapter or a 3F adapter with the article number.

Keylight International reserves the right to modify or change technical, construction or LED specifications due to continuous improvements of our products and light sources. The light source in this product can be replaced with an equivalent module made by Philips, Osram or Tridonic.

SOYUZ



AVAILABLE SLM OPTIONS

To order the correct product, please replace **COB*** in the article number field with the COB code found on the last page of the catalogue

ARTICLE NUMBER Δ See colors	LUMINOUS FLUX	BRAND	OUTPUT POWER	COLOUR TEMPERATURE	CRI	SETTING	POWER FACTOR
3030. COB* .27.Δ	1100	Philips SLM G6	7W	827 / 830 / 835 / 840 / 850	>80	High Efficiency	>0,9
3030. COB* .27.Δ	1100	Philips SLM G6	8W	927 / 930	>90	High Efficiency	>0,9
3030. COB* .27.Δ	1100	Philips SLM G6	7W	830 Premium White	>80	High Efficiency	>0,9
3030. COB* .27.Δ	1100	Philips SLM G6	8W	930 / 935 / 940 Premium White	>90	High Efficiency	>0,9
3030. COB* .27.Δ	1100	Philips SLM G6	10W	930 Crisp White (930 CW)	>90	High Efficiency	>0,9
3030. COB* .27.Δ	1100	Philips SLM G6	11W	Food Warm White (FWW)	84	High Efficiency	>0,9
3030. COB* .27.Δ	1100	Philips SLM G6	11W	Food Premium Red (FPR)	88	High Efficiency	>0,9
3030. COB* .27.Δ	2000	Philips SLM G6	13W	827 / 830 / 835 / 840 / 850	>80	High Efficiency	>0,9
3030. COB* .27.Δ	2000	Philips SLM G6	17W	927 / 930	>90	High Efficiency	>0,9
3030. COB* .27.Δ	2000	Philips SLM G6	14W	830 Premium White	>80	High Efficiency	>0,9
3030. COB* .27.Δ	2000	Philips SLM G6	16W	930 / 935 / 940 Premium White	>90	High Efficiency	>0,9
3030. COB* .27.Δ	2000	Philips SLM G6	21W	930 Crisp White (930 CW)	>90	High Efficiency	>0,9
3030. COB* .27.Δ	2000	Philips SLM G6	23W	Food Warm White (FWW)	84	High Efficiency	>0,9
3030. COB* .27.Δ	2000	Philips SLM G6	22W	Food Premium Red (FPR)	88	High Efficiency	>0,9
3030. COB* .27.Δ	3000	Philips SLM G6	19W	827 / 830 / 835 / 840 / 850 / 857	>80	High Efficiency	>0,9
3030. COB* .27.Δ	3000	Philips SLM G6	26W	927 / 930	>90	High Efficiency	>0,9
3030. COB* .27.Δ	3000	Philips SLM G6	20W	830 Premium White	>80	High Efficiency	>0,9
3030. COB* .27.Δ	3000	Philips SLM G6	25W	930 / 935 / 940 Premium White	>90	High Efficiency	>0,9
3030. COB* .27.Δ	3000	Philips SLM G6	32W	930 Crisp White (930 CW)	>90	High Efficiency	>0,9
3030. COB* .27.Δ	4500	Philips SLM G6	29W	827 / 830 / 835 / 840 / 850 / 857	>80	High Efficiency	>0,9
3030. COB* .27.Δ	4500	Philips SLM G6	30W	830 Premium White	>80	High Efficiency	>0,9

! High efficiency is the standard Keylight setting for all SLM G6 LED modules. For technical and warranty information regarding high efficiency, see last page of the catalogue. Standard system warranty is 5 years.



PRODUCT MATERIAL	Aluminium
ADAPTER	3-phase
LIGHT SOURCE	Fortimo SLM G6
MODULE LIFETIME	Approx. 50.000 hours
LED COOLING	Passive cooling
DRIVER	Incl. xitanium driver
COLORS (Δ)	● 5 = RAL 9005 black
BEAM ANGLE	▲ 25°
ADJUSTABLE	Horizontally and vertically rotational
SIZE	158 X 252MM



OPTIONS

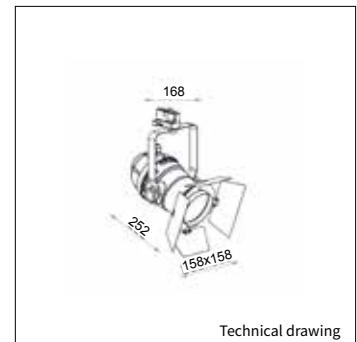
OPTIONAL BEAM ANGLES	▲ 45° art. no.: 3054.045.00.0	€ 9,50
DIMMABLE	Dali dimmable	€ 75,00

INFORMATION

WARRANTY	5 Years
-----------------	---------

Including barndoor.

Keylight International reserves the right to modify or change technical, construction or LED specifications due to continuous improvements of our products and lightsources. The light source in this product can be replaced with an equivalent module made by Philips, Osram or Tridonic.



AVAILABLE SLM OPTIONS

To order the correct product, please replace **COB*** in the article number field with the COB code found on the last page of the catalogue

ARTICLE NUMBER Δ See colors	LUMINOUS FLUX	BRAND	OUTPUT POWER	COLOUR TEMPERATURE	CRI	SETTING	POWER FACTOR
3054. COB* .23.5	1100	Philips SLM G6	7W	827 / 830 / 835 / 840 / 850	>80	High Efficiency	>0,9
3054. COB* .23.5	1100	Philips SLM G6	8W	927 / 930	>90	High Efficiency	>0,9
3054. COB* .23.5	1100	Philips SLM G6	7W	830 Premium White	>80	High Efficiency	>0,9
3054. COB* .23.5	1100	Philips SLM G6	8W	930 / 935 / 940 Premium White	>90	High Efficiency	>0,9
3054. COB* .23.5	1100	Philips SLM G6	10W	930 Crisp White (930 CW)	>90	High Efficiency	>0,9
3054. COB* .23.5	1100	Philips SLM G6	11W	Food Warm White (FWW)	84	High Efficiency	>0,9
3054. COB* .23.5	1100	Philips SLM G6	11W	Food Premium Red (FPR)	88	High Efficiency	>0,9
3054. COB* .23.5	2000	Philips SLM G6	13W	827 / 830 / 835 / 840 / 850	>80	High Efficiency	>0,9
3054. COB* .23.5	2000	Philips SLM G6	17W	927 / 930	>90	High Efficiency	>0,9
3054. COB* .23.5	2000	Philips SLM G6	14W	830 Premium White	>80	High Efficiency	>0,9
3054. COB* .23.5	2000	Philips SLM G6	16W	930 / 935 / 940 Premium White	>90	High Efficiency	>0,9
3054. COB* .23.5	2000	Philips SLM G6	21W	930 Crisp White (930 CW)	>90	High Efficiency	>0,9
3054. COB* .23.5	2000	Philips SLM G6	23W	Food Warm White (FWW)	84	High Efficiency	>0,9
3054. COB* .23.5	2000	Philips SLM G6	22W	Food Premium Red (FPR)	88	High Efficiency	>0,9
3054. COB* .23.5	3000	Philips SLM G6	19W	827 / 830 / 835 / 840 / 850 / 857	>80	High Efficiency	>0,9
3054. COB* .23.5	3000	Philips SLM G6	26W	927 / 930	>90	High Efficiency	>0,9
3054. COB* .23.5	3000	Philips SLM G6	20W	830 Premium White	>80	High Efficiency	>0,9
3054. COB* .23.5	3000	Philips SLM G6	25W	930 / 935 / 940 Premium White	>90	High Efficiency	>0,9

! High efficiency is the standard Keylight setting for all SLM G6 LED modules. For technical and warranty information regarding high efficiency, see last page of the catalogue. Standard system warranty is 5 years.



FORCE

PRODUCT MATERIAL	Die-cast aluminium
ADAPTER	3-phase track adapter
LIGHT SOURCE	Core AC 230v
MODULE LIFETIME	Approx. 50.000 hours
LED COOLING	Passive cooling
DRIVER	Not needed. Direct 230V
COLORS (Δ)	○ 3 = RAL 9003 white ● 5 = RAL 9005 black
BEAM ANGLE	▲ 24°
ADJUSTABLE	Horizontally and vertically rotational
SIZE	124 X 216MM



OPTIONS

OPTIONAL BEAM ANGLES	▲ 12°	art. no.: 3021.012.00.0	€ 5,00
	▲ 36°	art. no.: 3021.036.00.0	€ 5,00
MONO POINT	Color 3 - 5 - 6		€ 35,00
DIFFUSER	0182.999.99 (frosted diffuser)		€ 7,50
DIFFUSER W/ HOLE	0184.999.99 (frosted diffuser)		€ 7,50

FORCE

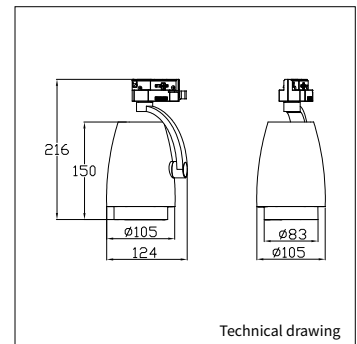
INFORMATION

WARRANTY	5 Years
-----------------	---------

Δ = product color code. See colors

Not dimmable
Long-life patented LED cooling system.
Flicker Free

Keylight International reserves the right to modify or change technical, construction or LED specifications due to continuous improvements of our products and lightsources.



ART.NR.	LAMP TYPE	BRAND	LUMINOUS FLUX	OUTPUT POWER	MODULE EFFICIENCY	COLOUR TEMPERATURE	CRI	TC LIFETIME	POWER FACTOR
Δ see color									
3036.750.20.Δ	Core AC Pro	Osram	2000LM	20W	100LM/W	3000K	>80	50.000 Hrs	>0,9
3036.751.20.Δ	Core AC Pro	Osram	2000LM	20W	103LM/W	4000K	>80	50.000 Hrs	>0,9
3036.752.20.Δ	Core AC Pro	Osram	3000LM	33W	90LM/W	3000K	>80	50.000 Hrs	>0,9
3036.753.20.Δ	Core AC Pro	Osram	3000LM	33W	93LM/W	4000K	>80	50.000 Hrs	>0,9



DRUM

PRODUCT MATERIAL	Die-cast aluminium
ADAPTER	3-phase track adapter
LIGHT SOURCE	Core AC 230v
MODULE LIFETIME	Approx. 50.000 hours
LED COOLING	Passive cooling
DRIVER	Not needed. Direct 230V
COLORS (Δ)	<ul style="list-style-type: none"> ○ 3 = RAL 9003 white ● 5 = RAL 9005 black ● 6 = RAL 9006 alu
BEAM ANGLE	24°
ADJUSTABLE	Horizontally and vertically rotational
SIZE	105 X 210MM



OPTIONS

OPTIONAL BEAM ANGLES	12°	art. no.: 3021.012.00.0	€ 5,00
	36°	art. no.: 3021.036.00.0	€ 5,00
MONO POINT	Color 3 - 5 - 6		€ 35,00
DIFFUSER	0182.999.99 (frosted diffuser)		€ 7,50
DIFFUSER W/ HOLE	0184.999.99 (frosted diffuser)		€ 7,50

INFORMATION

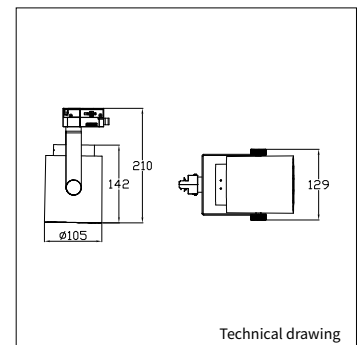
WARRANTY	5 Years
-----------------	---------

Δ = product color code. See colors

Not dimmable
Long-life patented LED cooling system.
Flicker Free

Keylight International reserves the right to modify or change technical, construction or LED specifications due to continuous improvements of our products and lightsources.


DRUM



ART.NR.	LAMP TYPE	BRAND	LUMINOUS FLUX	OUTPUT POWER	MODULE EFFICIENCY	COLOUR TEMPERATURE	CRI	TC LIFETIME	POWER FACTOR
Δ see color									
3035.750.20.Δ	Core AC Pro	Osram	2000LM	20W	100LM/W	3000K	>80	50.000 Hrs	>0,9
3035.751.20.Δ	Core AC Pro	Osram	2000LM	20W	103LM/W	4000K	>80	50.000 Hrs	>0,9
3035.752.20.Δ	Core AC Pro	Osram	3000LM	33W	90LM/W	3000K	>80	50.000 Hrs	>0,9
3035.753.20.Δ	Core AC Pro	Osram	3000LM	33W	93LM/W	4000K	>80	50.000 Hrs	>0,9



BUSS 19

PRODUCT MATERIAL	Steel and aluminium
ADAPTER	3-phase track adapter
LIGHT SOURCE	Philips DLM-S
MODULE LIFETIME	Approx. 30.000 hours
LED COOLING	Passive cooling
DRIVER	Incl. Intergrated Driver
COLORSΔ	<ul style="list-style-type: none"> ○ 3 = RAL 9003 white ● 5 = RAL 9005 ● 6 = RAL 9006
BEAM ANGLE	 80°
REFLECTOR	Silver Glossy
ADJUSTABLE	No
SIZE	192 X 140MM



OPTIONS

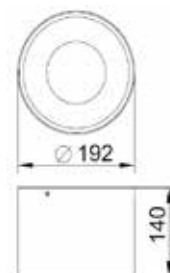
COLORS	Available in all RAL colours on request. Additional price + 10%
REFLECTOR	White reflector on request.
IP44 VERSION	On request

BUSS 19

INFORMATION

WARRANTY	5 Years
-----------------	---------

Keylight International reserves the right to modify or change technical, construction or LED specifications due to continuous improvements of our products and lightsources.



ARTICLE NO.	LAMP TYPE	BRAND	LIGHT OUTPUT	MODULE POWER	MODULE EFFICIENCY	CORRELATED COLOUR TEMPERATURE	COLOUR RENDERING INDEX	TC LIFE	mA
5286.103.80.3 Δ	DLM-S	Philips	2000	26	70	3000	>80	30.000	>09,
5286.140.80.3 Δ	DLM-S	Philips	2000	26	70	4000	>80	30.000	>09,



PASO MINI



PASO MINI

PRODUCT MATERIAL	Aluminium
ADAPTER	3-phase track adapter
LIGHT SOURCE	Bridgelux V10
DRIVER	Phasecut Dim
COLORS (Δ)	○ 3 = RAL 9003 white ● 5 = RAL 9005 black
BEAM ANGLE	▲ 24°
ADJUSTABLE	Horizontally and vertically rotational
DIMMABLE	Phase-cut
SIZE	63 X 250MM



OPTIONS

BEAM LENS	▲ 35°	art. no.: 3049.000.35.0	€ 7,50
	▲ 60°	art. no.: 3049.000.60.0	€ 7,50
ANTI-GLARE RING	Gold	art. no.: 3049.999.00.9	€ 9,50
MONO POINT	Color 3 - 5 - 6		€ 35,00

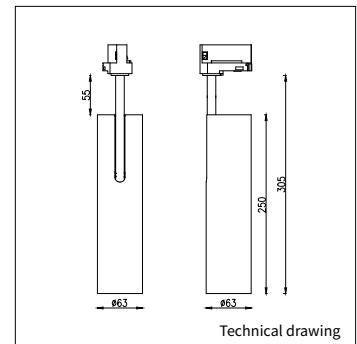
INFORMATION

WARRANTY	3 Years
-----------------	---------

This luminaire has a **black anti-glare ring** standard included.

Keylight International reserves the right to modify or change technical, construction or LED specifications due to continuous improvements of our products and lightsources. The light source in this product can be replaced with an equivalent module made by Philips, Osram or Tridonic.

PASO MINI



ART.NR.	LAMP TYPE	BRAND	LUMINOUS FLUX	OUTPUT POWER	MODULE EFFICIENCY	COLOUR TEMPERATURE	CRI	TC LIFETIME	mA	DIM
Δ see color										
3049.994.24.Δ	V10 LED	Bridgelux	1000LM	15W	66LM/W	3000K	>90	35.000 Hrs	350	No
3049.995.24.Δ	V10 LED	Bridgelux	1000LM	15W	66LM/W	3000K	>90	35.000 Hrs	350	Yes



PRODUCT MATERIAL	Die-cast Aluminium
ADAPTER	3-phase track adapter
LIGHT SOURCE	Bridgelux V8
DRIVER	Incl. Phasecut DIM driver
COLORS (Δ)	○ 3 = RAL 9003 white ● 5 = RAL 9005 black
BEAM ANGLE	▲ 21°
ADJUSTABLE	Horizontally and vertically rotational
DIMMABLE	Phase-cut
SIZE	150 X 60MM



OPTIONS

OPTIONAL BEAM ANGLE	▲ 32° art. no.: 4912.999.38.9	€ 5,00
REFLECTOR RING	Gold reflector ring art. no.: 3053.922.99.9	€ 9,50
GLASS	Honey comb art. no.: 3053.933.94.0	€ 7,50

INFORMATION

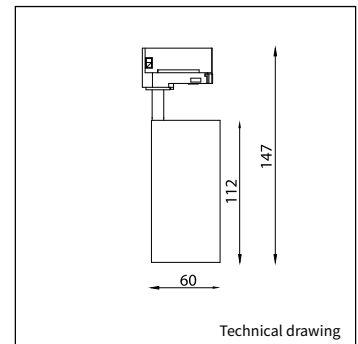
WARRANTY	3 Years
-----------------	---------

Standard 3F phase-cut dimmable

This luminaire has a **black anti-glare ring** standard included.

Keylight International reserves the right to modify or change technical, construction or LED specifications due to continuous improvements of our products and light sources.

BILLY



Reflector rings



Honeycomb

ART.NR.	LAMP TYPE	BRAND	LUMINOUS FLUX	OUTPUT POWER	MODULE EFFICIENCY	COLOUR TEMPERATURE	CRI	TC LIFETIME	mA
3054.997.50.Δ	V8	Bridgelux	745LM	9,2W	80LM/W	2700K	>90	35.000 Hrs	500

Δ see color



PRODUCT MATERIAL

Die-cast Aluminium

ADAPTER

3-phase track adapter

LIGHT SOURCE

Bridgelux V8

DRIVER

Incl. Phasecut DIM driver

COLORS (Δ)

- 3 = RAL 9003 white
- 5 = RAL 9005 black

BEAM ANGLE

21°

ADJUSTABLE

Horizontally and vertically rotational

DIMMABLE

Phase-cut

SIZE

94 X 102MM

OPTIONS

OPTIONAL BEAM ANGLE

- 36° art. no.: 3053.999.38.9 € 5,00
- 52° art. no.: 3053.999.52.9 € 5,00

COVER PLATE

- Grey cover plate art. no.: 3053.007.99.7 € 5,00
- Black cover plate art. no.: 3053.005.99.5 € 5,00
- White cover plate art. no.: 3053.003.99.3 € 5,00
- Cherry wood cover plate art. no.: 3053.909.99.9 € 5,00

REFLECTOR RING

- Gold reflector ring art. no.: 3053.922.99.9 € 9,50

GLASS

- Honey comb art. no.: 3053.933.94.5 € 7,50
- Linear glass art. no.: 3053.933.96.0 € 7,50

INFORMATION

WARRANTY

3 Years

Standard 3F phase-cut dimmable

Standard including black reflector ring.

Keylight International reserves the right to modify or change technical, construction or LED specifications due to continuous improvements of our products and lightsources.



Grey cover plate art. no.: 3053.007.99.7



Black cover plate art. no.: 3053.005.99.5



Cherry wood cover plate art. no.: 3053.909.99.9



White cover plate art. no.: 3053.003.99.3



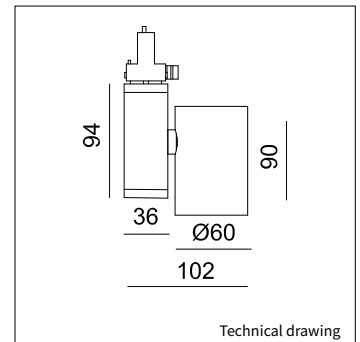
Black cover plate art. no.: 3053.005.99.5



Grey cover plate art. no.: 3053.007.99.7



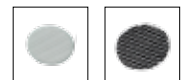
SPOTTI



Grey Black White Cherry Wood



Reflector rings



Linear glass Honeycomb

ART.NR.	LAMP TYPE	BRAND	LUMINOUS FLUX	OUTPUT POWER	MODULE EFFICIENCY	COLOUR TEMPERATURE	CRI	TC LIFETIME	mA
Δ see color									
3053.997.35.Δ	V8	Bridgelux	550LM	6,2W	88LM/W	2700K	>90	35.000 Hrs	350
3053.997.50.Δ	V8	Bridgelux	745LM	9,2W	80LM/W	2700K	>90	35.000 Hrs	500



PRODUCT MATERIAL	Die-cast aluminium
ADAPTER	3-phase track adapter
LIGHT SOURCE	PAR20
COLORS (Δ)	○ 3 = RAL 9003 white ● 5 = RAL 9005 black
BEAM ANGLE	▲ 25° ▲ 40°
ADJUSTABLE	Horizontally and vertically rotational
DIMMABLE	Standard
SIZE	209 X 99MM



OPTIONS

MONO POINT	Color 3 - 5 - 6	€ 35,00
-------------------	-----------------	---------

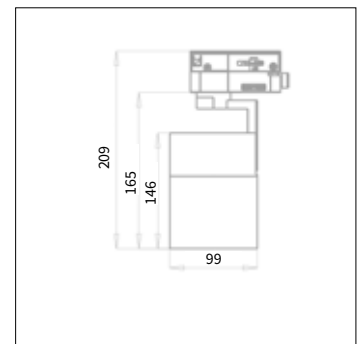
INFORMATION

WARRANTY	2 Years
-----------------	---------

* Specification may vary per type of lightsource

Keylight International reserves the right to modify or change technical, construction or LED specifications due to continuous improvements of our products and lightsources.

PAR 20



ART.NR.	LAMP TYPE	BRAND	LUMINOUS FLUX	OUTPUT POWER	MODULE EFFICIENCY	COLOUR TEMPERATURE	CRI	TC LIFETIME	BEAM ANGLE
3031.480.25.Δ	PAR20	MasterLED	480LM	5,5W	87LM/W	2700K	>80	45.000 Hrs	25°
3031.480.40.Δ	PAR20	MasterLED	480LM	5,5W	87LM/W	2700K	>80	45.000 Hrs	40°
3031.490.25.Δ	PAR20	MasterLED	490LM	5,5W	89LM/W	3000K	>80	45.000 Hrs	25°
3031.490.40.Δ	PAR20	MasterLED	490LM	5,5W	89LM/W	3000K	>80	45.000 Hrs	40°
3031.520.25.Δ	PAR20	MasterLED	520LM	5,5W	94LM/W	4000K	>80	45.000 Hrs	25°
3031.520.40.Δ	PAR20	MasterLED	520LM	5,5W	94LM/W	4000K	>80	45.000 Hrs	40°

Δ see color



ARTI

PRODUCT MATERIAL	Die-cast aluminium
ADAPTER	1 or 3-phase track adapter
LIGHT SOURCE	COB LED
MODULE LIFETIME	Approx. 25.000 hours
LED COOLING	Passive cooling
DRIVER	Included
COLORS 1 PHASE (Δ)	<input type="radio"/> 3 = RAL 9003 white <input checked="" type="radio"/> 5 = RAL 9005 black <input type="radio"/> 6 = RAL 9006 alu
COLORS 3 PHASE (Δ)	<input type="radio"/> 3 = RAL 9003 white <input checked="" type="radio"/> 5 = RAL 9005 black
BEAM ANGLE	24°
ADJUSTABLE	Horizontally and vertically rotational
SIZE	120 X 110MM



OPTIONS

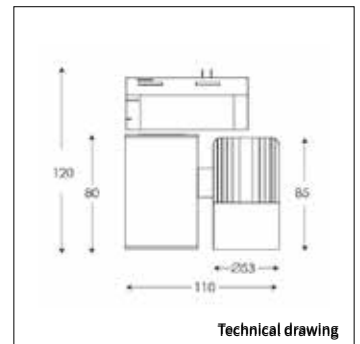
OPTIONAL BEAM ANGLES	art. no.: 3037.015.00.0 € 5,00 art. no.: 3037.050.00.0 € 5,00
MONO POINT	Color 3 - 5 - 6 € 12,50

INFORMATION

WARRANTY	2 Years
-----------------	---------

Keylight International reserves the right to modify or change technical, construction or LED specifications due to continuous improvements of our products and lightsources.

ARTI



ART.NR.	LAMP TYPE	BRAND	LUMINOUS FLUX	OUTPUT POWER	MODULE EFFICIENCY	COLOUR TEMPERATURE	CRI	TC LIFETIME	ADAPTER / DIM
Δ see color									
3037.999.24Δ	CXA COB	CREE	700LM	10W	70LM/W	2700K	>90	25.000	1-phase / dim
3038.999.24Δ	CXA COB	CREE	700LM	10W	70LM/W	3000K	>90	25.000	3-phase / no dim



COLT 14

PRODUCT MATERIAL	Die-cast aluminium
ADAPTER	1-phase track adapter
LIGHT SOURCE	Retrofit MR16
DRIVER	Philips driver included
COLORS (Δ)	○ 3 = RAL 9003 white ● 5 = RAL 9005 black ● 6 = RAL 9006 alu
BEAM ANGLE	▲ 25° ▲ 40°
ADJUSTABLE	Horizontally and vertically rotational
DIMMABLE	Standard
SIZE	80 X 70MM



INFORMATION

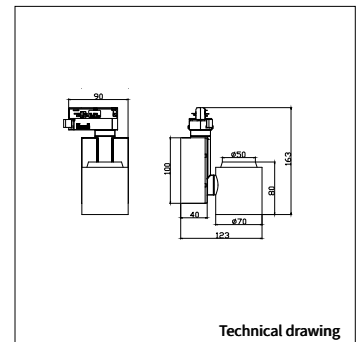
WARRANTY	2 Years
-----------------	---------

! Only luminaire body, lightsource excluded.

* Specification may vary per type of lightsource

Keylight International reserves the right to modify or change technical, construction or LED specifications due to continuous improvements of our products and lightsources.

COLT 14



ART.NR.	LAMP TYPE	BRAND	LUMINOUS FLUX	OUTPUT POWER	MODULE EFFICIENCY	COLOUR TEMPERATURE	CRI	TC LIFETIME	POWER FACTOR
Δ see color									
! 3119.305.24Δ	GU5.3	Retrofit LED	*	*	*	*	*	*	1-phase



ORCUS

PRODUCT MATERIAL	Aluminium
ADAPTER	1-phase track adapter
LIGHT SOURCE	Samsung
MODULE LIFETIME	Approx. 15.000 hours
LED COOLING	Passive cooling
DRIVER	Not needed. Direct 230V
COLORS (Δ)	○ 3 = RAL 9003 white ● 5 = RAL 9005 black
BEAM ANGLE	35°
ADJUSTABLE	Horizontally and vertically rotational
SIZE	141 X 50MM



OPTIONS

MONO POINT	Color 3 - 5 - 6	€ 12,50
-------------------	-----------------	---------

INFORMATION

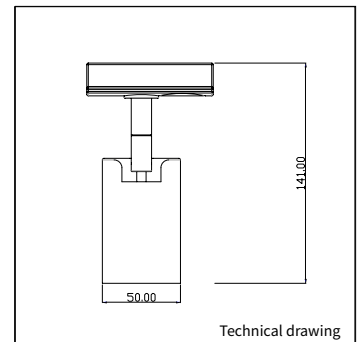
WARRANTY	3 Years
-----------------	---------

Δ = product color code. See colors

Standard dimmable phase-cut.

Keylight International reserves the right to modify or change technical, construction or LED specifications due to continuous improvements of our products and lightsources.

ORCUS



ART.NR.	LAMP TYPE	BRAND	LUMINOUS FLUX	OUTPUT POWER	MODULE EFFICIENCY	COLOUR TEMPERATURE	CRI	TC LIFETIME	ADAPTER
Δ see color									
3041.999.24.Δ	LED	SAMSUNG	310LM	8W	62LM/W	2700K	>80	25.000 Hrs	1-phase



ORCUS PENDEL

PRODUCT MATERIAL	Aluminium
ADAPTER	1-phase track adapter
LIGHT SOURCE	Samsung
MODULE LIFETIME	Approx. 15.000 hours
LED COOLING	Passive cooling
DRIVER	Not needed. Direct 230V
COLORS (Δ)	<input type="radio"/> 3 = RAL 9003 white <input type="radio"/> 5 = RAL 9005 black
BEAM ANGLE	35°
ADJUSTABLE	Horizontally and vertically rotational
SIZE	187 X 50MM



OPTIONS

MONO POINT	Color 3 - 5 - 6	€ 12,50
-------------------	-----------------	---------

INFORMATION

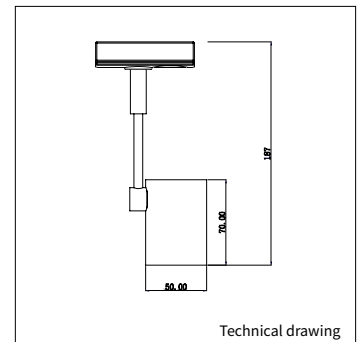
WARRANTY	3 Years
-----------------	---------

Δ = product color code. See colors

Not dimmable

Keylight International reserves the right to modify or change technical, construction or LED specifications due to continuous improvements of our products and lightsources.

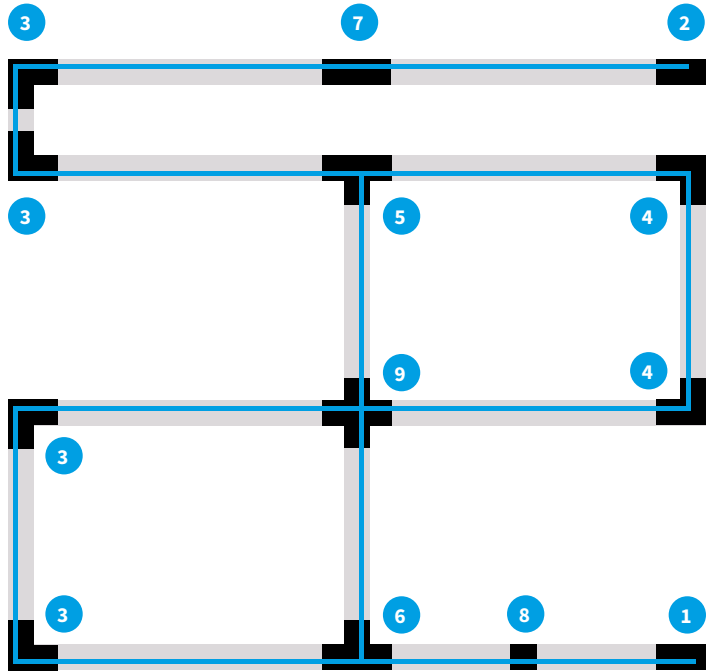
ORCUS PENDEL



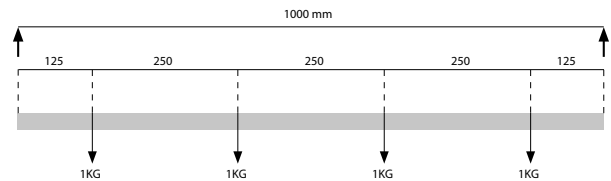
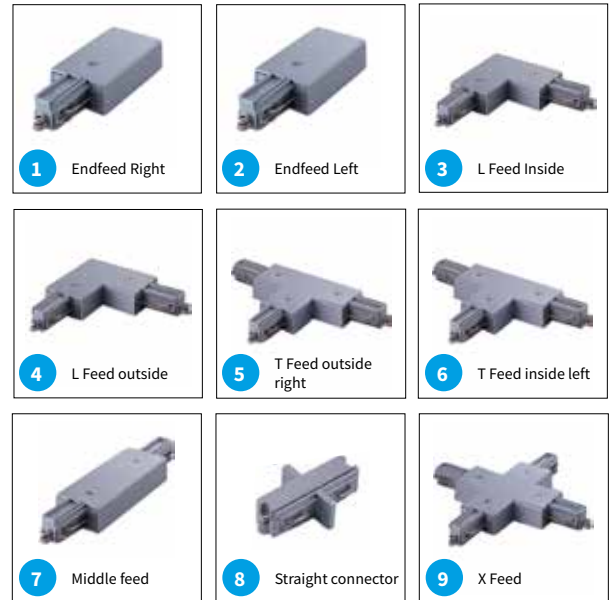
Technical drawing

ART.NR.	LAMP TYPE	BRAND	LUMINOUS FLUX	OUTPUT POWER	MODULE EFFICIENCY	COLOUR TEMPERATURE	CRI	TC LIFETIME	POWER FACTOR
Δ see color									
3042.981.24.Δ	LED	SAMSUNG	700LM	8W	88LM/W	2700K	>80	25.000 Hrs	1-phase

1 PHASE CONNECTION OVERVIEW



ACCESSORIES



The 1 phase tracks can take a weight of 1KG per 250mm. With a maximum distance of 1000mm between the fixing points

For a 4KG load every 250mm, the maximum distance has to be 500mm

1 PHASE TRACK & ACCESSORIES



ARTICLE NO.	DESCRIPTION	CURRENT	LENGTH IN MM	COLOR	PHASE
9110.995.99.3	Track rail	16A	1000	White	1
9110.995.99.5	Track rail	16A	1000	Black	1
9110.995.99.6	Track rail	16A	1000	Alu	1
9120.995.99.3	Track rail	16A	2000	White	1
9120.995.99.5	Track rail	16A	2000	Black	1
9120.995.99.6	Track rail	16A	2000	Alu	1
9130.995.99.3	Track rail	16A	3000	White	1
9130.995.99.5	Track rail	16A	3000	Black	1
9130.995.99.6	Track rail	16A	3000	Alu	1



ARTICLE NO.	DESCRIPTION	ACCESSORY NUMBER	COLOR	PHASE
9152.995.99.3	End Feed Right	1	White	1
9152.995.99.5	End Feed Right	1	Black	1
9152.995.99.6	End Feed Right	1	Alu	1
9153.995.99.3	End Feed Left	2	White	1
9153.995.99.5	End Feed Left	2	Black	1
9153.995.99.6	End Feed Left	2	Alu	1



ARTICLE NO.	DESCRIPTION	ACCESSORY NUMBER	COLOR	PHASE
9154.995.99.3	L Feed Inside	3	White	1
9154.995.99.5	L Feed Inside	3	Black	1
9154.995.99.6	L Feed Inside	3	Alu	1



ARTICLE NO.	DESCRIPTION	ACCESSORY NUMBER	COLOR	PHASE
9163.995.99.3	L Feed Outside	4	White	1
9163.995.99.5	L Feed Outside	4	Black	1
9163.995.99.6	L Feed Outside	4	Alu	1



ARTICLE NO.	DESCRIPTION	ACCESSORY NUMBER	COLOR	PHASE
9164.995.99.3	T Feed outside right	5	White	1
9164.995.99.5	T Feed outside right	5	Black	1
9164.995.99.6	T Feed outside right	5	Alu	1



ARTICLE NO.	DESCRIPTION	ACCESSORY NUMBER	COLOR	PHASE
9156.995.99.3	T Feed Inside Left	6	White	1
9156.995.99.5	T Feed Inside Left	6	Black	1
9156.995.99.6	T Feed Inside Left	6	Alu	1



ARTICLE NO.	DESCRIPTION	ACCESSORY NUMBER	COLOR	PHASE
9155.995.99.3	Middle feed	7	White	1
9155.995.99.5	Middle feed	7	Black	1
9155.995.99.6	Middle feed	7	Alu	1



ARTICLE NO.	DESCRIPTION	ACCESSORY NUMBER	COLOR	PHASE
9151.995.99.3	Straight connector	8	White	1
9151.995.99.5	Straight connector	8	Black	1
9151.995.99.6	Straight connector	8	Alu	1



ARTICLE NO.	DESCRIPTION	ACCESSORY NUMBER	COLOR	PHASE
9157.995.99.3	X Feed	9	White	1
9157.995.99.5	X Feed	9	Black	1
9157.995.99.6	X Feed	9	Alu	1



ARTICLE NO.	DESCRIPTION	COLOR	PHASE
9159.995.99.3	End Cap	White	1
9159.995.99.5	End Cap	Black	1
9159.995.99.6	End Cap	Alu	1



ARTICLE NO.	DESCRIPTION	COLOR	PHASE
9158.995.99.3	Adapter M10	White	1
9158.995.99.5	Adapter M10	Black	1
9158.995.99.6	Adapter M10	Alu	1



ARTICLE NO.	DESCRIPTION	LENGTH IN MM	COLOR	PHASE
9160.995.99.3	Suspension set Steel cable	50 - 3000	White	1
9160.995.99.5	Suspension set Steel cable	50 - 3000	Black	1
9160.995.99.6	Suspension set Steel cable	50 - 3000	Alu	1



ARTICLE NO.	DESCRIPTION	LENGTH IN MM	COLOR	PHASE
9161.995.99.3	Suspension set Pendle	200 - 1100	White	1
9161.995.99.5	Suspension set Pendle	200 - 1100	Black	1
9161.995.99.6	Suspension set Pendle	200 - 1100	Alu	1



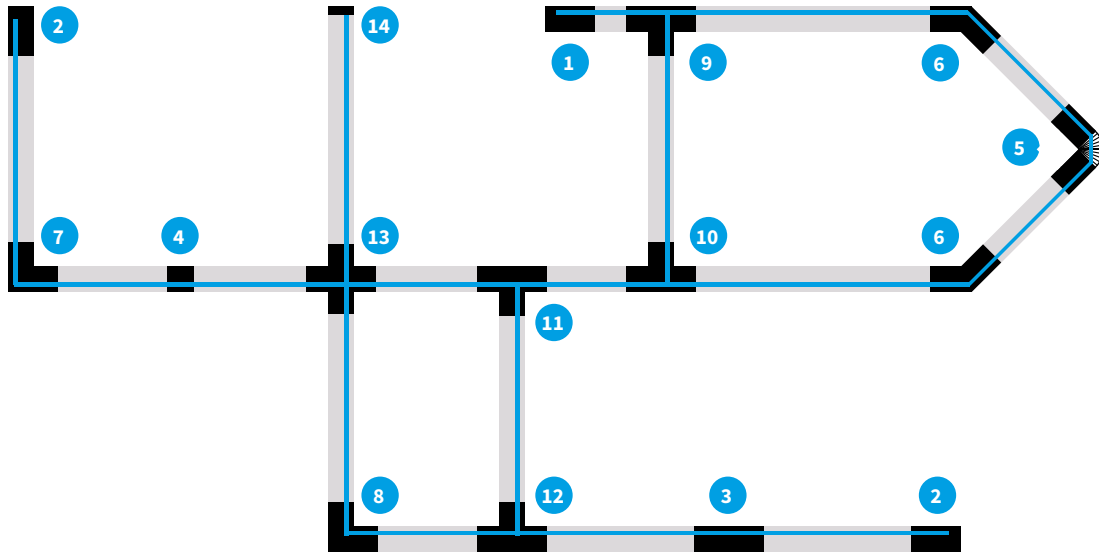
ARTICLE NO.	DESCRIPTION	COLOR	PHASE
9162.995.99.3	Monopoint	White	1
9162.995.99.5	Monopoint	Black	1
9162.995.99.6	Monopoint	Alu	1



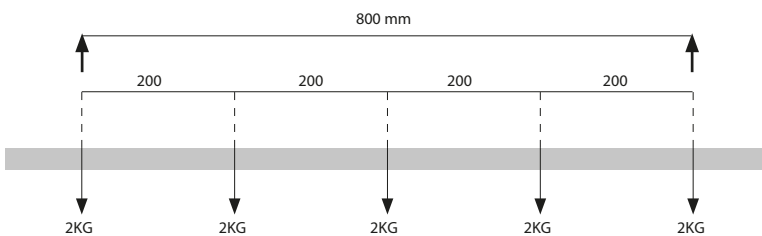
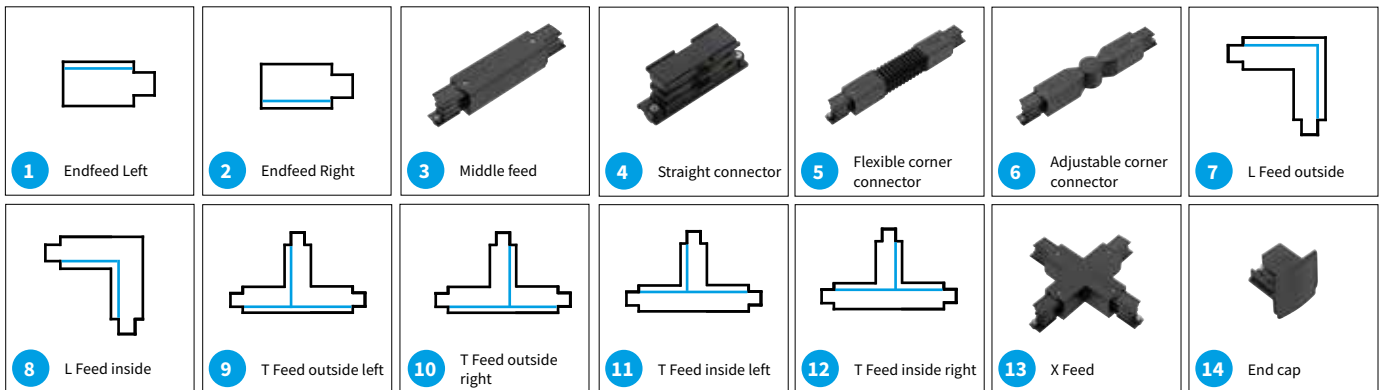
STAGE

PHILIPS SLM INSIDE

3 PHASE CONNECTION OVERVIEW



ACCESSORIES



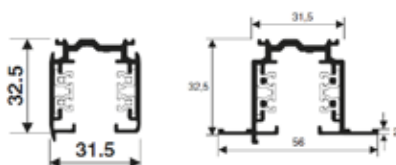
WEIGHT OF THE 3F TRACK

The 3 phase tracks can take a weight of 2KG per 200mm. With a maximum distance of 800mm between the fixing points

For a 5KG load every 200mm, the maximum distance has to be 400mm

TECHNICAL DRAWING

Surface mounted / pendent Recessed



3 PHASE TRACK & ACCESSORIES



ARTICLE NO.	DESCRIPTION	LENGTH IN MM	COLOR	PHASE
9332.995.99.3	Track rail	2000	White	3
9332.995.99.5	Track rail	2000	Black	3
9332.995.99.6	Track rail	2000	Alu	3
9333.995.99.3	Track rail	3000	White	3
9333.995.99.5	Track rail	3000	Black	3
9333.995.99.6	Track rail	3000	Alu	3
9334.995.99.3	Track rail	4000	White	3
9334.995.99.5	Track rail	4000	Black	3
9334.995.99.6	Track rail	4000	Alu	3



ARTICLE NO.	DESCRIPTION	LENGTH IN MM
9332.996.99.Δ	Recessed tracks All 3 phase tracks are also available as recessed tracks. For more information, contact us.	2000MM
9333.996.99.Δ		3000MM
9334.996.99.Δ		4000MM



ARTICLE NO.	DESCRIPTION	LENGTH IN MM
9332.998.99.Δ	Pulse track All 3 phase tracks are also available with pulse dali 1-10v. For more information, contact us	2000MM
9333.998.99.Δ		3000MM
9334.998.99.Δ		4000MM



ARTICLE NO.	DESCRIPTION	ACCESSORY NUMBER	COLOR	PHASE
9352.995.99.3	End Feed Left	1	White	3
9352.995.99.5	End Feed Left	1	Black	3
9352.995.99.6	End Feed Left	1	Alu	3
9351.995.99.3	End Feed Right	2	White	3
9351.995.99.5	End Feed Right	2	Black	3
9351.995.99.6	End Feed Right	2	Alu	3



ARTICLE NO.	DESCRIPTION	ACCESSORY NUMBER	COLOR	PHASE
9353.995.99.3	Middle feed	3	White	3
9353.995.99.5	Middle feed	3	Black	3
9353.995.99.6	Middle feed	3	Alu	3



ARTICLE NO.	DESCRIPTION	ACCESSORY NUMBER	COLOR	PHASE
9354.995.99.3	Straight connector	4	White	3
9354.995.99.5	Straight connector	4	Black	3
9354.995.99.6	Straight connector	4	Alu	3



ARTICLE NO.	DESCRIPTION	ACCESSORY NUMBER	COLOR	PHASE
9367.995.99.3	Flexible corner connector	5	White	3
9367.995.99.5	Flexible corner connector	5	Black	3
9367.995.99.6	Flexible corner connector	5	Alu	3



ARTICLE NO.	DESCRIPTION	ACCESSORY NUMBER	COLOR	PHASE
9363.995.99.3	Adjustable corner connector	6	White	3
9363.995.99.5	Adjustable corner connector	6	Black	3
9363.995.99.6	Adjustable corner connector	6	Alu	3



ARTICLE NO.	DESCRIPTION	ACCESSORY NUMBER	COLOR	PHASE
9355.995.99.3	L Feed Outside	7	White	3
9355.995.99.5	L Feed Outside	7	Black	3
9355.995.99.6	L Feed Outside	7	Alu	3
9356.995.99.3	L Feed Inside	8	White	3
9356.995.99.5	L Feed Inside	8	Black	3
9356.995.99.6	L Feed Inside	8	Alu	3



ARTICLE NO.	DESCRIPTION	ACCESSORY NUMBER	COLOR	PHASE
9361.995.99.3	T Feed Outside Left	9	White	3
9361.995.99.5	T Feed Outside Left	9	Black	3
9361.995.99.6	T Feed Outside Left	9	Alu	3



ARTICLE NO.	DESCRIPTION	ACCESSORY NUMBER	COLOR	PHASE
9357.995.99.3	T Feed Outside Right	10	White	3
9357.995.99.5	T Feed Outside Right	10	Black	3
9357.995.99.6	T Feed Outside Right	10	Alu	3



ARTICLE NO.	DESCRIPTION	ACCESSORY NUMBER	COLOR	PHASE
9359.995.99.3	T Feed Inside Left	11	White	3
9359.995.99.5	T Feed Inside Left	11	Black	3
9359.995.99.6	T Feed Inside Left	11	Alu	3



ARTICLE NO.	DESCRIPTION	ACCESSORY NUMBER	COLOR	PHASE
9358.995.99.3	T Feed Inside Right	12	White	3
9358.995.99.5	T Feed Inside Right	12	Black	3
9358.995.99.6	T Feed Inside Right	12	Alu	3



ARTICLE NO.	DESCRIPTION	ACCESSORY NUMBER	COLOR	PHASE
9362.995.99.3	X Feed	13	White	3
9362.995.99.5	X Feed	13	Black	3
9362.995.99.6	X Feed	13	Alu	3



ARTICLE NO.	DESCRIPTION	ACCESSORY NUMBER	COLOR	PHASE
9364.995.99.3	End Cap	14	White	3
9364.995.99.5	End Cap	14	Black	3
9364.995.99.6	End Cap	14	Alu	3



ARTICLE NO.	DESCRIPTION	COLOR	PHASE
9366.995.99.3	Fix Point	White	3
9366.995.99.5	Fix Point	Black	3
9366.995.99.6	Fix Point	Alu	3



ARTICLE NO.	DESCRIPTION	COLOR	PHASE
Δ = see color code			
9365.995.99.Δ	Multi-adapter GA69	○ 3 = RAL 9003 white ● 5 = RAL 9005 black ○ 6 = RAL 9006 alu	3



ARTICLE NO.	DESCRIPTION	COLOR
Δ = see color code		
9365.500.07.Δ	Nipple strain relief for GA69	○ 3 = RAL 9003 white ● 5 = RAL 9005 black ○ 6 = RAL 9006 alu



ARTICLE NO.	DESCRIPTION	COLOR	WIRE LENGTH
Δ = see color code			
0387.996.99.Δ	Wire suspension kit	○ 3 = RAL 9003 white ● 5 = RAL 9005 black ○ 6 = RAL 9006 alu	1500MM
0387.995.99.Δ	Wire suspension kit	○ 3 = RAL 9003 white ● 5 = RAL 9005 black ○ 6 = RAL 9006 alu	3000MM
0387.997.99.Δ	Wire suspension kit	○ 3 = RAL 9003 white ● 5 = RAL 9005 black ○ 6 = RAL 9006 alu	5000MM



ARTICLE NO.	DESCRIPTION	COLOR
Δ = see color code		
9369.992.22.Δ	Base for 2mm wire/hook.	○ 3 = RAL 9003 white ● 5 = RAL 9005 black ○ 6 = RAL 9006 alu



ARTICLE NO.	DESCRIPTION	COLOR
9667.992.22.Δ	Hook 2mm for base	Steel

Other custom made accessories are available on request. For more information contact our sales department.

PENDANT LIGHTING







ORBIT 30 P
PAGE 198



ORBIT 45 P
PAGE 199



ORBIT 65 P
PAGE 200



ORBIT 90 P
PAGE 201



ORBIT S 50
PAGE 202



SLIMMY 15
PAGE 206



ROUNDY 120 + 150
PAGE 207



POLAR 60
PAGE 208



POLAR 90
PAGE 209



UFO
PAGE 210



BOOST 50
PAGE 214



WORK BAY
PAGE 215



CASK
PAGE 216



DRAGON P
PAGE 217



HORN S
PAGE 218



CLASSIC BAY
PAGE 222



INDU LED
PAGE 223



INTERIOR PENDANT LUMINAIRES

BOOST 30	PAGE 212
BOOST 40	PAGE 213
BOOST 50	PAGE 214
CASK	PAGE 216
CLASSIC BAY	PAGE 222
DRAGON P	PAGE 217
HIGH BAY	PAGE 211
HORN L	PAGE 220
HORN M	PAGE 219
HORN S	PAGE 218
INDU LED	PAGE 223
ORBIT 30 P	PAGE 198
ORBIT 45 P	PAGE 199
ORBIT 65 P	PAGE 200
ORBIT 90 P	PAGE 201
ORBIT FLAT	PAGE 204
ORBIT S 50	PAGE 202
ORBIT S 80	PAGE 203
POLAR 60	PAGE 208
POLAR 90	PAGE 209
ROUNDY 120 + 150	PAGE 207
SHELL	PAGE 221
SLIMMY 15	PAGE 206
SLIMMY 9	PAGE 205
UFO	PAGE 210
WORK BAY	PAGE 215



ORBIT S 80
PAGE 203



ORBIT FLAT
PAGE 204



SLIMMY 9
PAGE 205



HIGH BAY
PAGE 211



BOOST 30
PAGE 212



BOOST 40
PAGE 213



HORN M
PAGE 219



HORN L
PAGE 220



SHELL
PAGE 221



ORBIT 30 P

PRODUCT MATERIAL	Steel and aluminium
LIGHT SOURCE	AC Integrated LED module
MODULE LIFETIME	Approx. 50.000 hours
LED COOLING	Passive cooling
DRIVER	Standard integrated AC Driver
COLORS (Δ)	<ul style="list-style-type: none"> ○ 3 = RAL 9003 white ● 5 = RAL 9005 black ● 6 = RAL 9006 alu
REFLECTOR PLATE	Opal diffuser
ADJUSTABLE	No
SIZE	300 X 120MM



OPTIONS

COLORS	Available in all RAL colours on request
DIRECT/INDIRECT	Available on request Additional price + 10%

INFORMATION

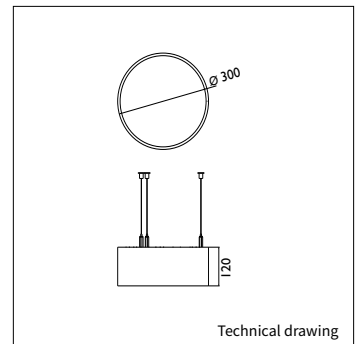
WARRANTY	5 Years
-----------------	---------

Δ see colors

1.5m suspension set standard.

Keylight International reserves the right to modify or change technical, construction or LED specifications due to continuous improvements of our products and lightsources. The light source in this product can be replaced with an equivalent module made by Philips, Osram or Tridonic.

ORBIT 30 P



ART.NR.	LAMP TYPE	BRAND	LUMINOUS FLUX	OUTPUT POWER	MODULE EFFICIENCY	COLOUR TEMPERATURE	CRI	TC LIFETIME	POWER FACTOR
Δ see color									
7300.185.91Δ	LED module	AC	2300LM	21W	109LM/W	3000	>80	50.000	>0,9
7300.186.91Δ	LED module	AC	2500LM	33W	114LM/W	3000	>80	50.000	>0,9



ORBIT 45 P

PRODUCT MATERIAL	Steel and aluminium
LIGHT SOURCE	Philips LEDLine
MODULE LIFETIME	Approx. 50.000 hours
LED COOLING	Passive cooling
DRIVER	Incl. standard Philips driver.
COLORS (Δ)	<ul style="list-style-type: none"> ○ 3 = RAL 9003 white ● 5 = RAL 9005 black ● 6 = RAL 9006 alu
REFLECTOR PLATE	Opal diffuser
ADJUSTABLE	No
SIZE	425 X 120MM



OPTIONS

COLORS	Available in all RAL colours on request		
	Additional price + 10%		
DIRECT/INDIRECT	Available on request		
EMERGENCY BALLAST	0187.003.01	1 - 3 hours.	€ 180,00
DIMMABLE	Dimmable DALI		€ 60,00

ORBIT 45 P

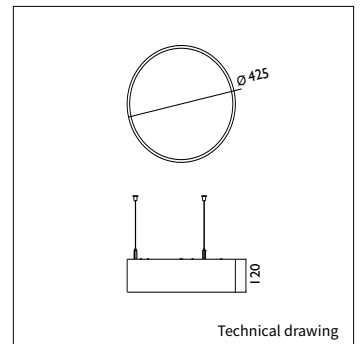
INFORMATION

WARRANTY	5 Years
-----------------	---------

Δ see colors

1.5m suspension set standard.

Keylight International reserves the right to modify or change technical, construction or LED specifications due to continuous improvements of our products and light sources. The light source in this product can be replaced with an equivalent module made by Philips, Osram or Tridonic.



ART.NR.	LAMP TYPE	BRAND	LUMINOUS FLUX	OUTPUT POWER	MODULE EFFICIENCY	COLOUR TEMPERATURE	CRI	TC LIFETIME	POWER FACTOR
Δ see color									
7425.195.91Δ	LEDLine	Philips	3900LM	29W	135LM/W	3000K	>80	50.000 Hrs	>0,9
7425.196.91Δ	LEDLine	Philips	4000LM	29W	138LM/W	4000K	>80	50.000 Hrs	>0,9



ORBIT 65 P

PRODUCT MATERIAL	Steel and aluminium
LIGHT SOURCE	Philips LEDLine
MODULE LIFETIME	Approx. 50.000 hours
LED COOLING	Passive cooling
DRIVER	Incl. standard Philips driver.
COLORS (Δ)	<ul style="list-style-type: none"> ○ 3 = RAL 9003 white ● 5 = RAL 9005 black ● 6 = RAL 9006 alu
REFLECTOR PLATE	Opal diffuser
ADJUSTABLE	No
SIZE	650 X 112MM



OPTIONS

COLORS	Available in all RAL colours on request Additional price + 10%		
DIRECT/INDIRECT	Available on request		
EMERGENCY BALLAST	0187.003.01 1 - 3 hours.	€	180,00
DIMMABLE	Dimmable DALI	€	60,00

ORBIT 65 P

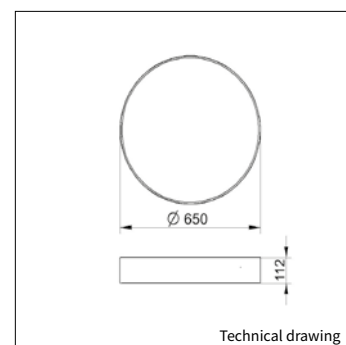
INFORMATION

WARRANTY	5 Years
-----------------	---------

Δ see colors

1.5m suspension set standard.

Keylight International reserves the right to modify or change technical, construction or LED specifications due to continuous improvements of our products and lightsources. The light source in this product can be replaced with an equivalent module made by Philips, Osram or Tridonic.



ART.NR.	LAMP TYPE	BRAND	LUMINOUS FLUX	OUTPUT POWER	MODULE EFFICIENCY	COLOUR TEMPERATURE	CRI	TC LIFETIME	POWER FACTOR
Δ see color									
7650.195.91Δ	LEDLine	Philips	5200LM	35LM	148LM/W	3000K	>80	50.000 Hrs	>0,9
7650.196.91Δ	LEDLine	Philips	5200LM	35LM	148LM/W	4000K	>80	50.000 Hrs	>0,9



ORBIT 90 P

PRODUCT MATERIAL	Steel and aluminium
LIGHT SOURCE	Philips LEDLine
MODULE LIFETIME	Approx. 50.000 hours
LED COOLING	Passive cooling
DRIVER	Incl. standard Philips driver.
COLORS (Δ)	<ul style="list-style-type: none"> ○ 3 = RAL 9003 white ● 5 = RAL 9005 black ● 6 = RAL 9006 alu
REFLECTOR PLATE	Opal diffuser
ADJUSTABLE	No
SIZE	900 X 112MM



OPTIONS

COLORS	Available in all RAL colours on request Additional price + 10%	
EMERGENCY BALLAST	0187.003.01 1 - 3 hours.	€ 180,00
DIMMABLE	Dimmable DALI	€ 120,00

ORBIT 90 P

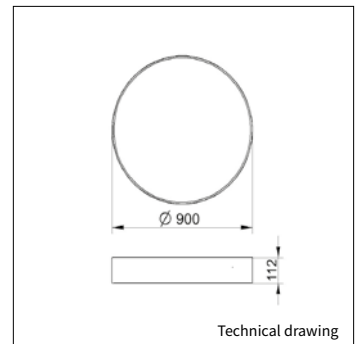
INFORMATION

WARRANTY	5 Years
-----------------	---------

Δ see colors

1.5m suspension set standard.

Keylight International reserves the right to modify or change technical, construction or LED specifications due to continuous improvements of our products and light sources. The light source in this product can be replaced with an equivalent module made by Philips, Osram or Tridonic.



Technical drawing

ARTICLE NO.	LAMP TYPE	BRAND	LIGHT OUTPUT	MODULE POWER	MODULE EFFICIENCY	CORRELATED COLOUR TEMPERATURE	COLOUR RENDERING INDEX	TC LIFE	POWER FACTOR
7900.193.91Δ	LEDLine	Philips	10.000LM	70W	143LM/W	3000K	>80	50.000	>0,9
7900.194.91Δ	LEDLine	Philips	10.000LM	70W	143LM/W	4000K	>80	50.000	>0,9



ORBIT S 50

PRODUCT MATERIAL	Steel and aluminium
LIGHT SOURCE	Philips LEDplate
MODULE LIFETIME	Approx. 50.000 hours
LED COOLING	Passive cooling
DRIVER	Incl. standard Philips driver.
COLORS (Δ)	<ul style="list-style-type: none"> ○ 3 = RAL 9003 white ● 5 = RAL 9005 black ● 6 = RAL 9006 alu
REFLECTOR PLATE	Opal diffuser
ADJUSTABLE	No
SIZE	500 X 99MM



OPTIONS

COLORS	Available in all RAL colours on request	
	Additional price + 10%	
DIMMABLE	Dimmable DALI	€ 60,00

INFORMATION

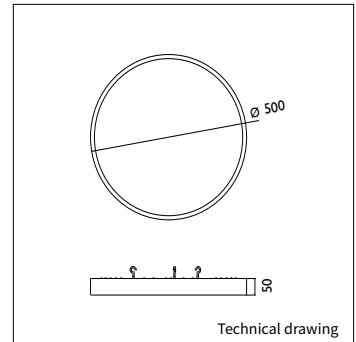
WARRANTY	5 Years
-----------------	---------

Δ see colors

1.5m suspension set included

Keylight International reserves the right to modify or change technical, construction or LED specifications due to continuous improvements of our products and lightsources. The light source in this product can be replaced with an equivalent module made by Philips, Osram or Tridonic.

ORBIT S 50



ART.NR.	LAMP TYPE	BRAND	LUMINOUS FLUX	OUTPUT POWER	MODULE EFFICIENCY	COLOUR TEMPERATURE	CRI	TC LIFETIME	POWER FACTOR
Δ see color									
7653.195.91Δ	LEDplate	Philips	2600LM	21W	123LM/W	3000K	>80	50.000	-
7653.196.91Δ	LEDplate	Philips	2600LM	21W	123LM/W	4000K	>80	50.000	-



ORBIT S 80



PRODUCT MATERIAL	Steel and aluminium
LIGHT SOURCE	Philips LEDplate
MODULE LIFETIME	Approx. 50.000 hours
LED COOLING	Passive cooling
DRIVER	Incl. standard Philips driver.
COLORS (Δ)	<ul style="list-style-type: none"> ○ 3 = RAL 9003 white ● 5 = RAL 9005 black ● 6 = RAL 9006 alu
REFLECTOR PLATE	Opal diffuser
ADJUSTABLE	No
SIZE	800 X 99MM



OPTIONS

COLORS	Available in all RAL colours on request	
	Additional price + 10%	
DIMMABLE	Dimmable DALI	€ 60,00

INFORMATION

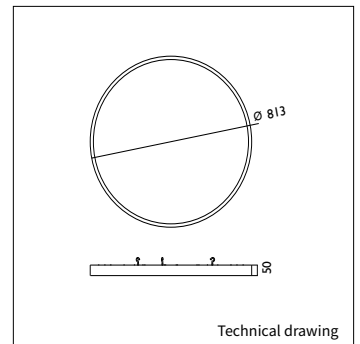
WARRANTY	5 Years
-----------------	---------

Δ see colors

1.5m suspension set included

Keylight International reserves the right to modify or change technical, construction or LED specifications due to continuous improvements of our products and lightsources. The light source in this product can be replaced with an equivalent module made by Philips, Osram or Tridonic.

ORBIT S 80



ART.NR.	LAMP TYPE	BRAND	LUMINOUS FLUX	OUTPUT POWER	MODULE EFFICIENCY	COLOUR TEMPERATURE	CRI	TC LIFETIME	POWER FACTOR
Δ see color									
7654.195.91Δ	LEDplate	Philips	5200LM	42W	124LM/W	3000K	>80	50.000	-
7653.195.91Δ	LEDplate	Philips	5200LM	42W	124LM/W	4000K	>80	50.000	-



ORBIT FLAT

PRODUCT MATERIAL	Aluminium body
LIGHT SOURCE	SMD LED
MODULE LIFETIME	Approx. 50.000 hours
LED COOLING	Passive cooling
DRIVER	Incl. standard Meanwell driver.
COLORS	○ 3 = RAL 9003 white
REFLECTOR PLATE	Non-glare acrylic opal diffuser.
ADJUSTABLE	No
SIZE Ø	400 / 600 / 700 / 800 / 900 / 1000 X 15MM



OPTIONS

DIMMABLE	Dimmable or dali	€ 60,00
RGB	RGB LED	€ 85,00
RGB CONTROLLER	RGB LED controller	€ 55,00
SUSPENSION SET	6 suspension cables for 1 panel	€ 30,00
CRI	3000 - 6500k on request	

INFORMATION

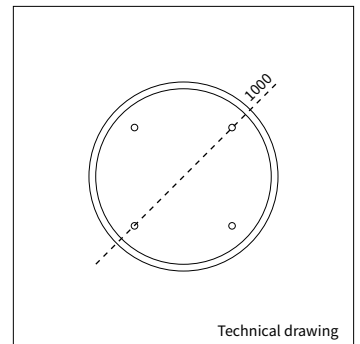
WARRANTY	3 Years
ORDERING	This fixture is not standard on stock. delivery time on request.

Δ see colors

1.5m suspension set standard.

Keylight International reserves the right to modify or change technical, construction or LED specifications due to continuous improvements of our products and lightsources. The light source in this product can be replaced with an equivalent module made by Philips, Osram or Tridonic.

ORBIT FLAT



ART.NR.	LAMP TYPE	BRAND	LUMINOUS FLUX	OUTPUT POWER	MODULE EFFICIENCY	COLOUR TEMPERATURE	CRI	TC LIFETIME	POWER FACTOR
Δ see color									
7001.400.00.3	SMD LED	TW					>80	50.000	
7001.600.00.3	SMD LED	TW					>80	50.000	
7001.700.00.3	SMD LED	TW					>80	50.000	
7001.800.00.3	SMD LED	TW					>80	50.000	
7001.900.00.3	SMD LED	TW					>80	50.000	
7001.100.00.3	SMD LED	TW					>80	50.000	



SLIMMY 9



PRODUCT MATERIAL	Steel and aluminium
LIGHT SOURCE	Philips LEDLine Approx. 50.000 hours
LED COOLING	Passive cooling
DRIVER	Incl. standard Philips driver.
COLORS (Δ)	○ 3 = RAL 9003 white ● 5 = RAL 9005 black ● 6 = RAL 9006 alu
REFLECTOR PLATE	Opal diffuser
ADJUSTABLE	No
SIZE	DIAMETER 900MM



OPTIONS

COLORS	Available in all RAL colours on request Additional price + 10%	
DIMMABLE	Dimmable DALI	€ 60,00

INFORMATION

WARRANTY	5 Years
-----------------	---------

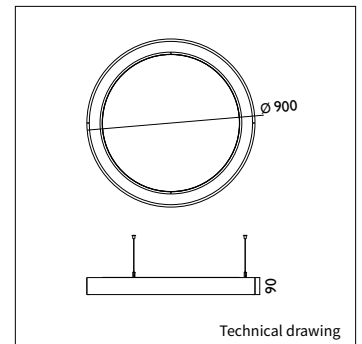
Δ see colors

1.5m suspension set standard.

Ballast is mounted on the back of the luminaire.

Keylight International reserves the right to modify or change technical, construction or LED specifications due to continuous improvements of our products and lightsources. The light source in this product can be replaced with an equivalent module made by Philips, Osram or Tridonic.

SLIMMY 9



ART.NR.	LAMP TYPE	BRAND	LIGHT OUTPUT	MODULE POWER	MODULE EFFICIENCY	CORRELATED COLOUR TEMPERATURE	COLOUR RENDERING INDEX	TC LIFE	POWER FACTOR
Δ see color									
7901.197.91Δ	LEDLine	Philips	5200LM	35W	148LM/W	3000	>80	50.000	>0,9
7901.198.91Δ	LEDLine	Philips	5200LM	35W	148LM/W	4000	>80	50.000	>0,9



SLIMMY 15



PRODUCT MATERIAL	Steel and aluminium
LIGHT SOURCE	Philips LEDLine
MODULE LIFETIME	Approx. 50.000 hours
LED COOLING	Passive cooling
DRIVER	Incl. standard Philips driver.
COLORS (Δ)	<ul style="list-style-type: none"> ○ 3 = RAL 9003 white ● 5 = RAL 9005 black ● 6 = RAL 9006 alu
REFLECTOR PLATE	Opal diffuser
ADJUSTABLE	No
SIZE	DIAMETER 1500MM



OPTIONS

COLORS	Available in all RAL colours on request	
	Additional price + 10%	
DIMMABLE	Dimmable DALI	€ 120,00

INFORMATION

WARRANTY	5 Years
-----------------	---------

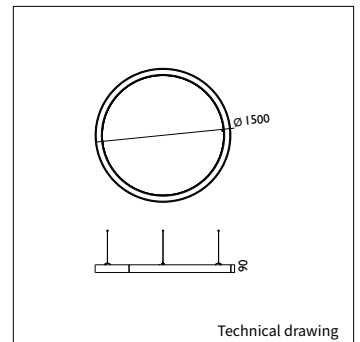
Δ see colors

1.5m suspension set standard.

Ballast is mounted on the back of the luminaire.

Keylight International reserves the right to modify or change technical, construction or LED specifications due to continuous improvements of our products and lightsources. The light source in this product can be replaced with an equivalent module made by Philips, Osram or Tridonic.

SLIMMY 15



Technical drawing

ARTICLE NO.	LAMP TYPE	BRAND	LIGHT OUTPUT	MODULE POWER	MODULE EFFICIENCY	CORRELATED COLOUR TEMPERATURE	COLOUR RENDERING INDEX	TC LIFE
7029.195.00.Δ	LEDLine	Philips	16500LM	110W	150LM/W	3000	>80	50.000
7029.196.00.Δ	LEDLine	Philips	16500LM	110W	150LM/W	4000	>80	50.000



ROUNDY 120 + 150

PRODUCT MATERIAL	Steel and aluminium
LIGHT SOURCE	LED Module
MODULE LIFETIME	Approx. 50.000 hours
LED COOLING	Passive cooling
DRIVER	Incl. standard Philips driver.
COLORS (Δ)	<ul style="list-style-type: none"> ○ 3 = RAL 9003 white ● 5 = RAL 9005 black ● 6 = RAL 9006 alu
REFLECTOR PLATE	Opal diffuser
ADJUSTABLE	No
SIZE	1200 / 1500 X 112MM



OPTIONS

COLORS	Available in all RAL colours on request	
	Additional price + 10%	
DIMMABLE (ROUNDY 120)	Dimmable DALI	€ 180,00
DIMMABLE (ROUNDY 150)	Dimmable DALI	€ 240,00
EMERGENCY BALLAST	0187.003.01 1 - 3 hours.	€ 180,00

ROUNDY 120 + 150

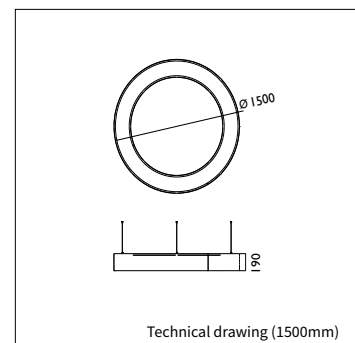
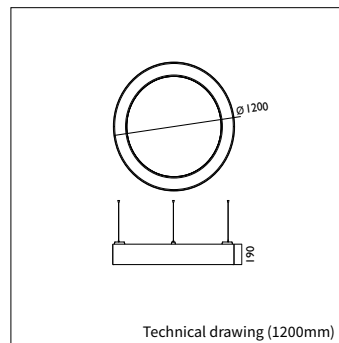
INFORMATION

WARRANTY	5 Years
-----------------	---------

Δ see colors

1.5m suspension set standard.

Keylight International reserves the right to modify or change technical, construction or LED specifications due to continuous improvements of our products and light sources. The light source in this product can be replaced with an equivalent module made by Philips, Osram or Tridonic.



ARTICLE NO.	LAMP TYPE	BRAND	LIGHT OUTPUT	MODULE POWER	MODULE EFFICIENCY	CORRELATED COLOUR TEMPERATURE	COLOUR RENDERING INDEX	TC LIFE	SIZE
ROUNDY 120									
7150.193.91Δ	LED Module	Philips	13000LM	86W	151LM/W	3000K	>80	50.000	1200
7150.194.91Δ	LED Module	Philips	13000LM	86W	151LM/W	4000K	>80	50.000	1200

ARTICLE NO.	LAMP TYPE	BRAND	LIGHT OUTPUT	MODULE POWER	MODULE EFFICIENCY	CORRELATED COLOUR TEMPERATURE	COLOUR RENDERING INDEX	TC LIFE	SIZE
ROUNDY 150									
7149.193.91Δ	LED Module	Philips	18200LM	120W	151LM/W	3000K	>80	50.000	1500
7149.194.91Δ	LED Module	Philips	18200LM	120W	151LM/W	4000K	>80	50.000	1500



POLAR 60



PRODUCT MATERIAL	Steel and aluminium
LIGHT SOURCE	Philips LEDLine
MODULE LIFETIME	Approx. 50.000 hours
LED COOLING	Passive cooling
DRIVER	Incl. standard Philips driver.
COLORS (Δ)	○ 3 = RAL 9003 white ● 5 = RAL 9005 black ● 6 = RAL 9006 alu
REFLECTOR PLATE	Opal diffuser
ADJUSTABLE	No
SIZE	650 X 90MM



OPTIONS

COLORS	Available in all RAL colours on request Additional price + 10%		
EMERGENCY BALLAST	0187.003.01 1 - 3 hours.	€	180,00
DIMMABLE	Dimmable DALI	€	60,00

POLAR 60

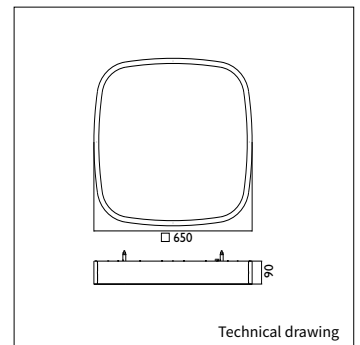
INFORMATION

WARRANTY	5 Years
-----------------	---------

Δ see colors

1.5m suspension set standard.

Keylight International reserves the right to modify or change technical, construction or LED specifications due to continuous improvements of our products and lightsources. The light source in this product can be replaced with an equivalent module made by Philips, Osram or Tridonic.



ARTICLE NO.	LAMP TYPE	BRAND	LIGHT OUTPUT	MODULE POWER	MODULE EFFICIENCY	CORRELATED COLOUR TEMPERATURE	COLOUR RENDERING INDEX	TC LIFE	POWER FACTOR
7651.195.91Δ	LEDLine	Philips	5000LM	32W	156LM/W	3000K	>80	50.000	>0,9
7651.196.91Δ	LEDLine	Philips	5000LM	32W	156LM/W	4000K	>80	50.000	>0,9



POLAR 90



PRODUCT MATERIAL	Steel and aluminium
LIGHT SOURCE	Philips LEDLine
MODULE LIFETIME	Approx. 50.000 hours
LED COOLING	Passive cooling
DRIVER	Incl. standard Philips driver.
COLORS (Δ)	<ul style="list-style-type: none"> ○ 3 = RAL 9003 white ● 5 = RAL 9005 black ● 6 = RAL 9006 alu
REFLECTOR PLATE	Opal diffuser
ADJUSTABLE	No
SIZE	950 X 90MM



OPTIONS

COLORS	Available in all RAL colours on request		
	Additional price + 10%		
EMERGENCY BALLAST	0187.003.01 1 - 3 hours.	€	180,00
DIMMABLE	Dimmable DALI	€	120,00

POLAR 90

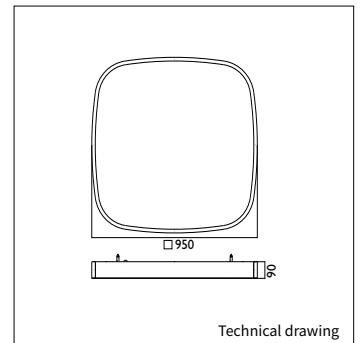
INFORMATION

WARRANTY	5 Years
-----------------	---------

Δ see colors

1.5m suspension set standard.

Keylight International reserves the right to modify or change technical, construction or LED specifications due to continuous improvements of our products and light sources. The light source in this product can be replaced with an equivalent module made by Philips, Osram or Tridonic.



Technical drawing

ARTICLE NO.	LAMP TYPE	BRAND	LIGHT OUTPUT	MODULE POWER	MODULE EFFICIENCY	CORRELATED COLOUR TEMPERATURE	COLOUR RENDERING INDEX	TC LIFE	POWER FACTOR
7652.195.91Δ	LEDLine	Philips	10.000LM	70W	142LM/W	3000K	>80	50.000	>0,9
7652.196.91Δ	LEDLine	Philips	10.000LM	70W	142LM/W	4000K	>80	50.000	>0,9



UFO

PRODUCT MATERIAL	Aluminium
LIGHT SOURCE	Philips SMD
MODULE LIFETIME	Approx. 50.000 hours
LED COOLING	Passive cooling
DRIVER	Incl. driver
COLORS	● 5 = RAL 9005 black
SIZE	450 X 410 X 372MM
BEAM ANGLE	60°



OPTIONS

DIMMABLE	DALI or 10/10v on request
BEAM ANGLE	90° or 120° on request
COLOR TEMPERATURE	3000K, 4000K or 6000K on request
SENSOR	Microwave sensor on request

INFORMATION

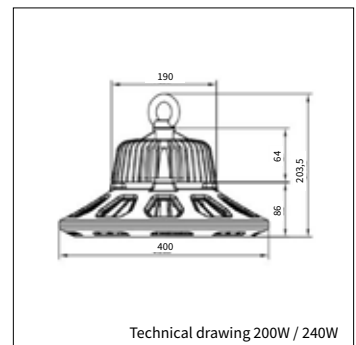
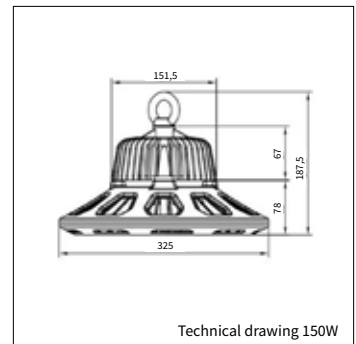
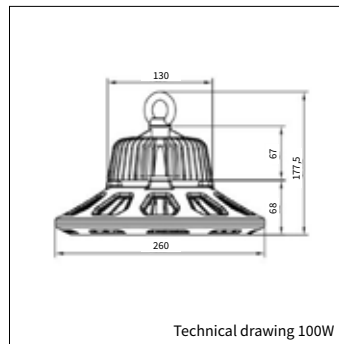
WARRANTY	5 Years
-----------------	---------

UFO

Including power cable

including safety glass

Keylight International reserves the right to modify or change technical, construction or LED specifications due to continuous improvements of our products and lightsources. The light source in this product can be replaced with an equivalent module made by Philips, Osram or Tridonic.



ART.NR.	LAMP TYPE	BRAND	LUMINOUS FLUX	OUTPUT POWER	MODULE EFFICIENCY	COLOUR TEMPERATURE	CRI	TC LIFETIME	POWER FACTOR
Δ see color									
7525.100.60.5	SMD 3030	Philips	12500LM	100W	125LM/W	On request	>75	50.000 Hrs	>0,9
7525.150.60.5	SMD 3030	Philips	18500LM	150W	125LM/W	On request	>75	50.000 Hrs	>0,9
7525.200.60.5	SMD 3030	Philips	25000LM	200W	125LM/W	On request	>75	50.000 Hrs	>0,9
7525.240.60.5	SMD 3030	Philips	30000LM	240W	125LM/W	On request	>75	50.000 Hrs	>0,9



NEW

HIGH BAY LONG

PRODUCT MATERIAL	Aluminium
LIGHT SOURCE	Philips
MODULE LIFETIME	Approx. 50.000 hours
LED COOLING	Passive cooling
DRIVER	Incl. driver
COLORS	● 5 = RAL 9005 black
BEAM ANGLE	60°

OPTIONS

BEAM ANGLE	90° or 120° on request
COLOR TEMPERATURE	2800, 3200, 5500, or 6500 on request
CAP COVER MATERIAL	Aluminium
BEAM ANGLE ALUMINIUM	45° 60° 90° 120° On request
CAP COVER MATERIAL	Poly-carbonate (with bottom PC cover)
BEAM ANGLE PC	60°
DIM	Dimmable 1/10v € 80,00

INFORMATION

WARRANTY	5 Years
-----------------	---------

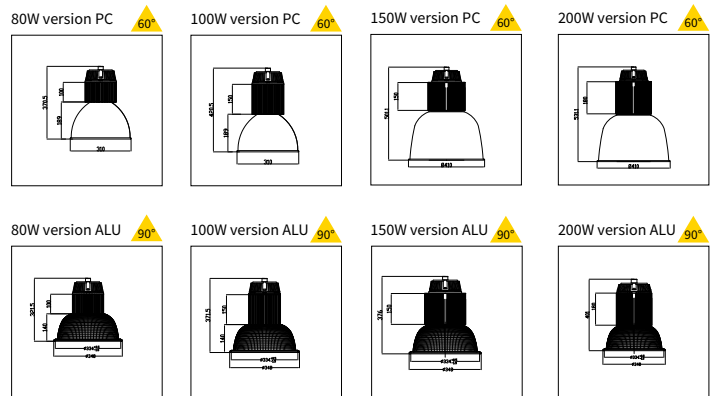
Power cable and Euro plug

Keylight International reserves the right to modify or change technical, construction or LED specifications due to continuous improvements of our products and lightsources.



ALU CAP 120°

HIGH BAY LONG



ART.NR.	LAMP TYPE	BRAND	LUMINOUS FLUX	OUTPUT POWER	MODULE EFFICIENCY	COLOUR TEMPERATURE	CRI	TC LIFETIME	POWER FACTOR
Δ see color									
7521.080.60.6	SMD3030	Philips	8800LM	80W	110LM/W	On request	>75	50.000 Hrs	>0,9
7521.080.60.1	SMD3030	Philips	8800LM	80W	110LM/W	On request	>75	50.000 Hrs	>0,9
7521.100.60.6	SMD3030	Philips	11000LM	100W	110LM/W	On request	>75	50.000 Hrs	>0,9
7521.100.60.1	SMD3030	Philips	11000LM	100W	110LM/W	On request	>75	50.000 Hrs	>0,9
7521.150.60.6	SMD3030	Philips	16500LM	150W	110LM/W	On request	>75	50.000 Hrs	>0,9
7521.150.60.1	SMD3030	Philips	16500LM	150W	110LM/W	On request	>75	50.000 Hrs	>0,9
7521.200.60.6	SMD3030	Philips	22000LM	200W	110LM/W	On request	>75	50.000 Hrs	>0,9
7521.200.60.1	SMD3030	Philips	22000LM	200W	110LM/W	On request	>75	50.000 Hrs	>0,9



BOOST 30

PRODUCT MATERIAL	Steel + alu
LIGHT SOURCE	Philips DLM Flex ES
MODULE LIFETIME	Approx. 50.000 hours
LED COOLING	Passive cooling
DRIVER	Incl. Integrated driver.
COLORS (Δ)	<ul style="list-style-type: none"> ○ 3 = RAL 9003 white ● 5 = RAL 9005 black ● 6 = RAL 9006 alu
BEAM ANGLE	N/A
ADJUSTABLE	No
SIZE	315 X 285MM

OPTIONS

COLORS	Available in all RAL colours on request Additional price + 10%
GLASS & IP RING	Optional IP44 cover on request

INFORMATION

WARRANTY	5 Years
-----------------	---------

Δ = product color code. See colors

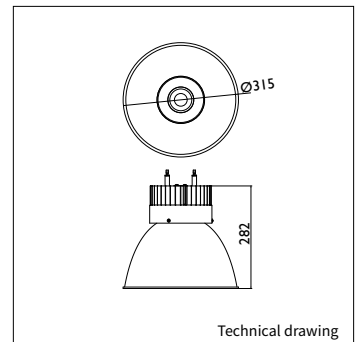
1.5m suspension set standard.

Acrylic 315mm reflector

Keylight International reserves the right to modify or change technical, construction or LED specifications due to continuous improvements of our products and lightsources. The light source in this product can be replaced with an equivalent module made by Philips, Osram or Tridonic.



BOOST 30



Technical drawing

FORTIMO DLM EASE SELECT G1

Different lumen output or wattages available on request

ART.NR.	LUMEN	PHILIPS FORTIMO DLM ES G1	HOUSING	LUMINOUS FLUX	MODULE EFFICIENCY	OUTPUT POWER	COLOUR TEMPERATURE	CRI	INPUT VOLTAGE	TC	POWER FACTOR	TC LIFETIME
7315.281.92.Δ	1100	FORTIMO DLM ES 830	Low	1080LM	114LM/W	10W	3000K	>80	230V	85°C	>0,9	50.000 Hrs
7315.282.92.Δ	1100	FORTIMO DLM ES 840	Low	1100LM	116LM/W	10W	4000K	>80	230V	85°C	>0,9	50.000 Hrs
7315.283.92.Δ	2000	FORTIMO DLM ES 830	Low	1930LM	110LM/W	18W	3000K	>80	230V	85°C	>0,9	50.000 Hrs
7315.284.92.Δ	2000	FORTIMO DLM ES 840	Low	2000LM	114LM/W	18W	4000K	>80	230V	85°C	>0,9	50.000 Hrs
7315.285.92.Δ	3000	FORTIMO DLM ES 830	Low	2850LM	108LM/W	26.5W	3000K	>80	230V	85°C	>0,9	50.000 Hrs
7315.286.92.Δ	3000	FORTIMO DLM ES 840	Low	3000LM	108LM/W	26.5W	4000K	>80	230V	85°C	>0,9	50.000 Hrs

Δ See colors

High efficiency is the standard Keylight setting for all DLM G2 LED modules. For technical and warranty information regarding high efficiency, see page 300. Standard system warranty is 5 years.

BOOST 40



PRODUCT MATERIAL	Steel and aluminium
LIGHT SOURCE	Philips DLM Flex ES / DLM Flex G2
MODULE LIFETIME	DLM Flex ES: 50.000 Hrs DLM Flex G2: 60.000 Hrs
LED COOLING	Passive cooling
DRIVER DLM	Incl. standard xitanium driver.
COLORS Δ	○ 3 = RAL 9003 white ● 5 = RAL 9005 black ● 6 = RAL 9006 alu
BEAM ANGLE	Acryliclic 415mm reflector
ADJUSTABLE	No
SIZE	415 X 448MM



OPTIONS

COLORS	Available in all RAL colours on request Additional price + 10%
DIMMABLE	Dimmable DALI for DLM Flex G2 € 60,00
GLASS & IP RING	Optional IP44 cover on request

BOOST 40

INFORMATION

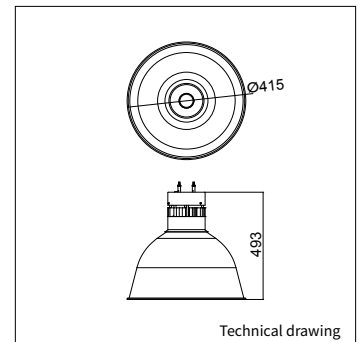
WARRANTY	5 Years
-----------------	---------

Δ = product color code. See colors

1.5m suspension set standard.

Acryliclic 415mm reflector

Keylight International reserves the right to modify or change technical, construction or LED specifications due to continuous improvements of our products and lightsources. The light source in this product can be replaced with an equivalent module made by Philips, Osram or Tridonic.



Technical drawing

FORTIMO DLM EASE SELECT G1

Different lumen output or wattages available on request

ART.NR.	LUMEN	PHILIPS FORTIMO DLM ES G1	HOUSING	LUMINOUS FLUX	MODULE EFFICIENCY	OUTPUT POWER	COLOUR TEMPERATURE	CRI	INPUT VOLTAGE	TC	POWER FACTOR	TC LIFETIME
7415.281.Δ	1100	FORTIMO DLM ES 830	Low	1080LM	114LM/W	10W	3000K	>80	230V	85°C	>0,9	50.000 Hrs
7415.282.Δ	1100	FORTIMO DLM ES 840	Low	1100LM	116LM/W	10W	4000K	>80	230V	85°C	>0,9	50.000 Hrs
7415.283.Δ	2000	FORTIMO DLM ES 830	Low	1930LM	110LM/W	18W	3000K	>80	230V	85°C	>0,9	50.000 Hrs
7415.284.Δ	2000	FORTIMO DLM ES 840	Low	2000LM	114LM/W	18W	4000K	>80	230V	85°C	>0,9	50.000 Hrs
7415.285.Δ	3000	FORTIMO DLM ES 830	Low	2850LM	108LM/W	26.5W	3000K	>80	230V	85°C	>0,9	50.000 Hrs
7415.286.Δ	3000	FORTIMO DLM ES 840	Low	3000LM	108LM/W	26.5W	4000K	>80	230V	85°C	>0,9	50.000 Hrs

Δ See colors

High efficiency is the standard Keylight setting for all DLM G2 LED modules. For technical and warranty information regarding high efficiency, see page 300. Standard system warranty is 5 years.

FORTIMO DLM FLEX G2

Different lumen output or wattages available on request

ART.NR.	LUMEN	PHILIPS FORTIMO DLM G2	HOUSING	LUMINOUS FLUX	MODULE EFFICIENCY	OUTPUT POWER	COLOUR TEMPERATURE	CRI	INPUT VOLTAGE	TC	POWER FACTOR	TC LIFETIME
7415.101.Δ	1100	DLM FLEX 830 G2	Low	1075LM	115LM/W	9.8W	3000K	>80	34V	85°C	>0,9	60.000 Hrs
7415.102.Δ	1100	DLM FLEX 840 G2	Low	1075LM	127LM/W	8.6W	4000K	>80	34V	85°C	>0,9	60.000 Hrs
7415.103.Δ	2000	DLM FLEX 830 G2	Low	1954LM	113LM/W	17.6W	3000K	>80	34V	85°C	>0,9	60.000 Hrs
7415.104.Δ	2000	DLM FLEX 840 G2	Low	1954LM	125LM/W	16.0W	4000K	>80	34V	85°C	>0,9	60.000 Hrs
7415.105.Δ	3000	DLM FLEX 830 G2	Low	2931LM	115LM/W	26.8W	3000K	>80	34V	85°C	>0,9	60.000 Hrs
7415.106.Δ	3000	DLM FLEX 840 G2	Low	2931LM	127LM/W	23.4W	4000K	>80	34V	85°C	>0,9	60.000 Hrs

Δ See colors

High efficiency is the standard Keylight setting for all DLM G2 LED modules. For technical and warranty information regarding high efficiency, see page 300. Standard system warranty is 5 years.



BOOST 50

PRODUCT MATERIAL	Steel and aluminium
LIGHT SOURCE	Philips DLM Flex ES / DLM Flex G2
MODULE LIFETIME	DLM Flex ES: 50.000 Hrs DLM Flex G2: 60.000 Hrs
LED COOLING	Passive cooling
DRIVER DLM	Incl. standard xitanium driver.
COLORS Δ	○ 3 = RAL 9003 white ● 5 = RAL 9005 black ● 6 = RAL 9006 alu
BEAM ANGLE	Acryliclic 515mm reflector
ADJUSTABLE	No
SIZE	515 X 493MM

OPTIONS

COLORS	Available in all RAL colours on request Additional price + 10%
DIMMABLE	Dimmable DALI for DLM Flex G2 € 60,00
GLASS & IP RING	Optional IP44 cover on request



BOOST 50

INFORMATION

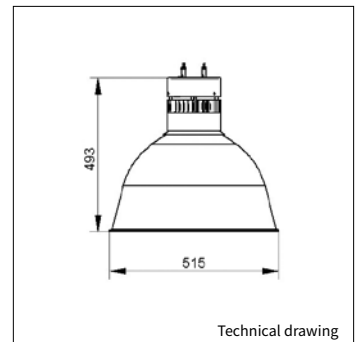
WARRANTY	5 Years
-----------------	---------

Δ = product color code. See colors

1.5m suspension set standard.

Acryliclic 515mm reflector

Keylight International reserves the right to modify or change technical, construction or LED specifications due to continuous improvements of our products and light sources. The light source in this product can be replaced with an equivalent module made by Philips, Osram or Tridonic.



Technical drawing

FORTIMO DLM EASE SELECT G1

Different lumen output or wattages available on request

ART.NR.	LUMEN	PHILIPS FORTIMO DLM ES G1	HOUSING	LUMINOUS FLUX	MODULE EFFICIENCY	OUTPUT POWER	COLOUR TEMPERATURE	CRI	INPUT VOLTAGE	TC	POWER FACTOR	TC LIFETIME
7515.281.Δ	1100	FORTIMO DLM ES 830	Low	1080LM	114LM/W	10W	3000K	>80	230V	85°C	>0,9	50.000 Hrs
7515.282.Δ	1100	FORTIMO DLM ES 840	Low	1100LM	116LM/W	10W	4000K	>80	230V	85°C	>0,9	50.000 Hrs
7515.283.Δ	2000	FORTIMO DLM ES 830	Low	1930LM	110LM/W	18W	3000K	>80	230V	85°C	>0,9	50.000 Hrs
7515.284.Δ	2000	FORTIMO DLM ES 840	Low	2000LM	114LM/W	18W	4000K	>80	230V	85°C	>0,9	50.000 Hrs
7515.285.Δ	3000	FORTIMO DLM ES 830	Low	2850LM	108LM/W	26.5W	3000K	>80	230V	85°C	>0,9	50.000 Hrs
7515.286.Δ	3000	FORTIMO DLM ES 840	Low	3000LM	108LM/W	26.5W	4000K	>80	230V	85°C	>0,9	50.000 Hrs

! High efficiency is the standard Keylight setting for all DLM G2 LED modules. For technical and warranty information regarding high efficiency, see page 300. Standard system warranty is 5 years.

FORTIMO DLM FLEX G2

Different lumen output or wattages available on request

ART.NR.	LUMEN	PHILIPS FORTIMO DLM G2	HOUSING	LUMINOUS FLUX	MODULE EFFICIENCY	OUTPUT POWER	COLOUR TEMPERATURE	CRI	INPUT VOLTAGE	TC	POWER FACTOR	TC LIFETIME
7515.101.Δ	1100	DLM FLEX 830 G2	Low	1075LM	115LM/W	9.8W	3000K	>80	34V	85°C	>0,9	60.000 Hrs
7515.102.Δ	1100	DLM FLEX 840 G2	Low	1075LM	127LM/W	8.6W	4000K	>80	34V	85°C	>0,9	60.000 Hrs
7515.103.Δ	2000	DLM FLEX 830 G2	Low	1954LM	113LM/W	17.6W	3000K	>80	34V	85°C	>0,9	60.000 Hrs
7515.104.Δ	2000	DLM FLEX 840 G2	Low	1954LM	125LM/W	16.0W	4000K	>80	34V	85°C	>0,9	60.000 Hrs
7515.105.Δ	3000	DLM FLEX 830 G2	Low	2931LM	115LM/W	26.8W	3000K	>80	34V	85°C	>0,9	60.000 Hrs
7515.106.Δ	3000	DLM FLEX 840 G2	Low	2931LM	127LM/W	23.4W	4000K	>80	34V	85°C	>0,9	60.000 Hrs

! High efficiency is the standard Keylight setting for all DLM G2 LED modules. For technical and warranty information regarding high efficiency, see page 300. Standard system warranty is 5 years.



WORK BAY

PRODUCT MATERIAL	Steel, aluminium
LIGHT SOURCE	Tridonic
MODULE LIFETIME	Approx. 50.000 hours
LED COOLING	Passive cooling
DRIVER	Incl. driver
COLORS (Δ)	<ul style="list-style-type: none"> ○ 3 = RAL 9003 white ● 5 = RAL 9005 black ● 6 = RAL 9006 alu
SIZE	515 X 836MM



OPTIONS

COLORS	Available in all RAL colours on request Additional price + 10% Also available: color combinations
---------------	---

INFORMATION

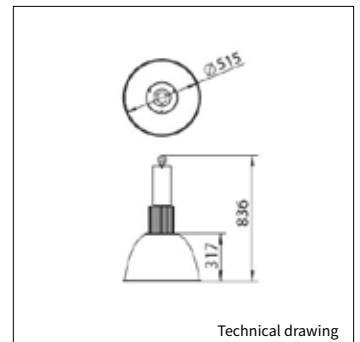
WARRANTY	5 Years
-----------------	---------

Δ = product color code. See colors

1.5m suspension set standard.

Keylight International reserves the right to modify or change technical, construction or LED specifications due to continuous improvements of our products and light sources. The light source in this product can be replaced with an equivalent module made by Philips, Osram or Tridonic.

WORK BAY



Technical drawing

ART.NR.	TYPE	LED TYPE	BRAND	LUMINOUS FLUX	MODULE POWER	MODULE EFFECIENCY	COLOUR TEMPERATURE	CRI	TC LIFETIME
Δ see color									
7516.117.24Δ	S-LED	T.D.	Tridonic	10.000LM	70W	142LM/W	3000K	80	50.000 Hrs
7516.119.24Δ	S-LED	T.D.	Tridonic	10.000LM	70W	142LM/W	4000K	80	50.000 Hrs
7516.128.24Δ	S-LED	T.D.	Tridonic	10.000LM	70W	142LM/W	5000K	80	50.000 Hrs



CASK

PRODUCT MATERIAL	Steel and aluminium
LIGHT SOURCE	Philips SLM G6
MODULE LIFETIME	Approx. 50.000 hours
LED COOLING	Passive cooling
DRIVER	Incl. standard Philips driver.
COLORS (Δ)	○ 3 = RAL 9003 white ● 5 = RAL 9005 black
BEAM ANGLE	60°
ADJUSTABLE	No
SIZE	270 X 180MM



OPTIONS

DIMMABLE	Dimmable DALI	€ 70,00
OPTIONAL BEAM LENS	18° 3045.018.00.0	€ 7,50
	36° 3045.036.00.0	€ 7,50

INFORMATION

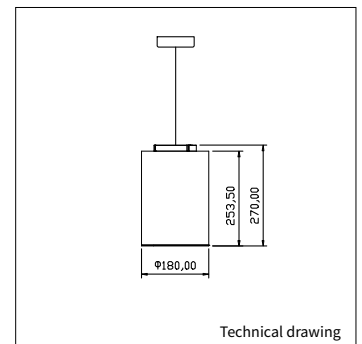
WARRANTY	5 Years
-----------------	---------

Δ see colors

2m suspension set standard. Including ceiling cap

Keylight International reserves the right to modify or change technical, construction or LED specifications due to continuous improvements of our products and light sources. The light source in this product can be replaced with an equivalent module made by Philips, Osram or Tridonic.

CASK



Technical drawing

AVAILABLE SLM OPTIONS

To order the correct product, please replace **COB*** in the article number field with the COB code found on the last page of the catalogue

ARTICLE NUMBER Δ See colors	LUMINOUS FLUX	BRAND	OUTPUT POWER	COLOUR TEMPERATURE	CRI	SETTING	POWER FACTOR
5119. COB* .24.Δ	1100	Philips SLM G6	7W	827 / 830 / 835 / 840 / 850	>80	High Efficiency	>0,9
5119. COB* .24.Δ	1100	Philips SLM G6	8W	927 / 930	>90	High Efficiency	>0,9
5119. COB* .24.Δ	1100	Philips SLM G6	7W	830 Premium White	>80	High Efficiency	>0,9
5119. COB* .24.Δ	1100	Philips SLM G6	8W	930 / 935 / 940 Premium White	>90	High Efficiency	>0,9
5119. COB* .24.Δ	1100	Philips SLM G6	10W	930 Crisp White (930 CW)	>90	High Efficiency	>0,9
5119. COB* .24.Δ	1100	Philips SLM G6	11W	Food Warm White (FWW)	84	High Efficiency	>0,9
5119. COB* .24.Δ	1100	Philips SLM G6	11W	Food Premium Red (FPR)	88	High Efficiency	>0,9
5119. COB* .24.Δ	2000	Philips SLM G6	13W	827 / 830 / 835 / 840 / 850	>80	High Efficiency	>0,9
5119. COB* .24.Δ	2000	Philips SLM G6	17W	927 / 930	>90	High Efficiency	>0,9
5119. COB* .24.Δ	2000	Philips SLM G6	14W	830 Premium White	>80	High Efficiency	>0,9
5119. COB* .24.Δ	2000	Philips SLM G6	16W	930 / 935 / 940 Premium White	>90	High Efficiency	>0,9
5119. COB* .24.Δ	2000	Philips SLM G6	21W	930 Crisp White (930 CW)	>90	High Efficiency	>0,9
5119. COB* .24.Δ	2000	Philips SLM G6	23W	Food Warm White (FWW)	84	High Efficiency	>0,9
5119. COB* .24.Δ	2000	Philips SLM G6	22W	Food Premium Red (FPR)	88	High Efficiency	>0,9
5119. COB* .24.Δ	3000	Philips SLM G6	19W	827 / 830 / 835 / 840 / 850 / 857	>80	High Efficiency	>0,9
5119. COB* .24.Δ	3000	Philips SLM G6	26W	927 / 930	>90	High Efficiency	>0,9
5119. COB* .24.Δ	3000	Philips SLM G6	20W	830 Premium White	>80	High Efficiency	>0,9
5119. COB* .24.Δ	3000	Philips SLM G6	25W	930 / 935 / 940 Premium White	>90	High Efficiency	>0,9
5119. COB* .24.Δ	3000	Philips SLM G6	32W	930 Crisp White (930 CW)	>90	High Efficiency	>0,9
5119. COB* .24.Δ	3000	Philips SLM G6	39W	Food Warm White (FWW)	84	High Efficiency	>0,9
5119. COB* .24.Δ	3000	Philips SLM G6	37W	Food Premium Red (FPR)	88	High Efficiency	>0,9
5119. COB* .24.Δ	4500	Philips SLM G6	29W	827 / 830 / 835 / 840 / 850 / 857	>80	High Efficiency	>0,9
5119. COB* .24.Δ	4500	Philips SLM G6	38W	927 / 930	>90	High Efficiency	>0,9
5119. COB* .24.Δ	4500	Philips SLM G6	30W	830 Premium White	>80	High Efficiency	>0,9
5119. COB* .24.Δ	4500	Philips SLM G6	37W	930 / 935 / 940 Premium White	>90	High Efficiency	>0,9
5119. COB* .24.Δ	4500	Philips SLM G6	45W	930 Crisp White (930 CW)	>90	High Efficiency	>0,9
5119. COB* .24.Δ	4500	Philips SLM G6	46W	Food Warm White (FWW)	84	High Efficiency	>0,9
5119. COB* .24.Δ	4500	Philips SLM G6	46W	Food Premium Red (FPR)	88	High Efficiency	>0,9

High efficiency is the standard Keylight setting for all SLM G6 LED modules. For technical and warranty information regarding high efficiency, see last page of the catalogue. Standard system warranty is 5 years.



DRAGON P

PRODUCT MATERIAL	Aluminium
LIGHT SOURCE	Cree
MODULE LIFETIME	Approx. 30.000 hours
LED COOLING	Passive cooling
COLORS	● 9 = Alu Brushed
SIZE	70 X 180MM
BEAM ANGLE SPOT	

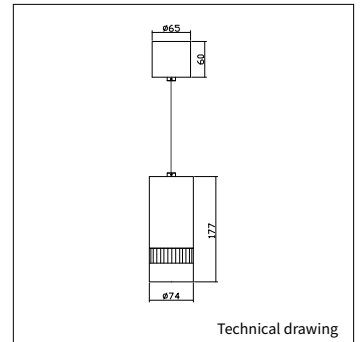
INFORMATION

WARRANTY	5 Years
-----------------	---------

Keylight International reserves the right to modify or change technical, construction or LED specifications due to continuous improvements of our products and lightsources.



DRAGON P



ART.NR.	LAMP TYPE	BRAND	LUMINOUS FLUX	OUTPUT POWER	MODULE EFFICIENCY	COLOUR TEMPERATURE	CRI	TC LIFETIME	POWER FACTOR
Δ see color									
7007.990.60.9	X-PE	Cree	600LM	6W	100LM/W	2700K	>80	30.000 Hrs	>0,9



HORN S

PRODUCT MATERIAL	Steel
LIGHT SOURCE	GU10 Retrofit
MODULE LIFETIME	Approx. 40.000 hours
LED COOLING	Passive cooling
COLORS (Δ)	<ul style="list-style-type: none"> ○ 3 = RAL 9003 white ● 5 = RAL 9005 black ● 6 = RAL 9006 alu
SIZE	80 X 230MM
BEAM ANGLE SPOT	



OPTIONS

COLORS	Available in all RAL colours on request. Additional price + 10%
DIMMABLE	Yes

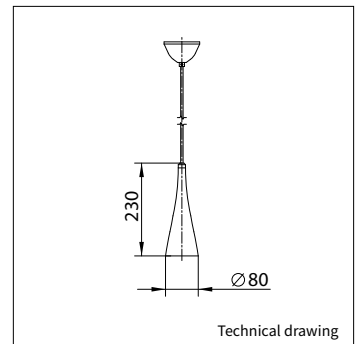
INFORMATION

WARRANTY	2 Years
-----------------	---------

HORN S

Δ = product color code. See colors

Keylight International reserves the right to modify or change technical, construction or LED specifications due to continuous improvements of our products and lightsources.



ART.NR.	LAMP TYPE	BRAND	LUMINOUS FLUX	OUTPUT POWER	MODULE EFFICIENCY	COLOUR TEMPERATURE	CRI	TC LIFETIME	BEAM ANGLE
Δ see color									
7520.601.99 Δ	MasterLED	Philips	355LM	4,3W	51LM/W	2700K	>80	35.000 Hrs	25
7520.602.99 Δ	MasterLED	Philips	365LM	4,3W	51LM/W	3000K	>80	35.000 Hrs	25
7520.603.99 Δ	MasterLED	Philips	390LM	4,3W	56LM/W	4000K	>80	35.000 Hrs	25
7520.604.99 Δ	MasterLED	Philips	355LM	4,3W	56LM/W	2700K	>80	35.000 Hrs	40
7520.605.99 Δ	MasterLED	Philips	365LM	4,3W	58LM/W	3000K	>80	35.000 Hrs	40
7520.606.99 Δ	MasterLED	Philips	390LM	4,3W	58LM/W	4000K	>80	35.000 Hrs	40



HORN M

PRODUCT MATERIAL	Steel
LIGHT SOURCE	DISK G3
MODULE LIFETIME	Approx. 50.000 hours
LED COOLING	Passive cooling
COLORS (Δ)	<ul style="list-style-type: none"> ○ 3 = RAL 9003 white ● 5 = RAL 9005 black ● 6 = RAL 9006 alu
SIZE	100 X 370MM
BEAM ANGLE SPOT	



OPTIONS

COLORS	Available in all RAL colours on request. Additional price + 10% Also available: color combinations
---------------	--

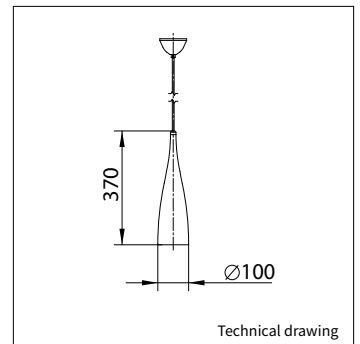
INFORMATION

WARRANTY	2 Years
-----------------	---------

Δ = product color code. See colors

Keylight International reserves the right to modify or change technical, construction or LED specifications due to continuous improvements of our products and lightsources.

HORN M



ART.NR.	LAMP TYPE	BRAND	LUMINOUS FLUX	OUTPUT POWER	MODULE EFFICIENCY	COLOUR TEMPERATURE	CRI	TC LIFETIME	POWER FACTOR
Δ see color									
7521.912.15 Δ	Philips Disk	Philips	800LM	12W	68LM/W	2700K	>80	50.000	>0,9
7521.912.24 Δ	Philips Disk	Philips	800LM	12W	68LM/W	3000K	>80	50.000	>0,9
7521.912.36 Δ	Philips Disk	Philips	850LM	11W	72LM/W	4000K	>80	50.000	>0,9



HORN L

PRODUCT MATERIAL	Steel
LIGHT SOURCE	DISK G3
MODULE LIFETIME	Approx. 40.000 hours
LED COOLING	Passive cooling
COLORS (Δ)	<ul style="list-style-type: none"> ○ 3 = RAL 9003 white ● 5 = RAL 9005 black ● 6 = RAL 9006 alu
SIZE	300 X 395MM
BEAM ANGLE SPOT	



OPTIONS

COLORS	Available in all RAL colours on request. Additional price + 10% Also available: color combinations
---------------	--

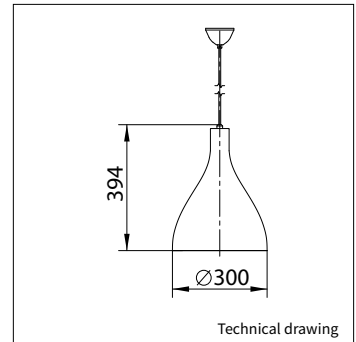
INFORMATION

WARRANTY	5 Years
-----------------	---------

Δ = product color code. See colors

HORN L

Keylight International reserves the right to modify or change technical, construction or LED specifications due to continuous improvements of our products and lightsources.



ART.NR.	LAMP TYPE	BRAND	LUMINOUS FLUX	OUTPUT POWER	MODULE EFFICIENCY	COLOUR TEMPERATURE	CRI	TC LIFETIME	POWER FACTOR
Δ see color									
7522.141.85Δ	Disk G3	Philips	800LM	12W	68LM/W	2700K	>80	50.000 Hrs	>,09
7522.142.85Δ	Disk G3	Philips	800LM	12W	68LM/W	3000K	>80	50.000 Hrs	>,09
7522.143.85Δ	Disk G3	Philips	850LM	11W	72LM/W	4000K	>80	50.000 Hrs	>,09



SHELL

PRODUCT MATERIAL	Steel and aluminium
LIGHT SOURCE	E27 Retrofit
MODULE LIFETIME	Approx. 40.000 hours
LED COOLING	Passive cooling
COLORS (Δ)	○ + ● 35= RAL 9003 + 9005
ADJUSTABLE	No
SIZE	720 X 720 X 155MM

OPTIONS

COLORS	Available in all RAL colours combinations on request. Additional price + 10%
COLOR INSIDE ON REQUEST	<ul style="list-style-type: none"> ● Gold ○ White ● Black ● Aluminium color ● Custom color on request

INFORMATION

WARRANTY	5 Years
-----------------	---------

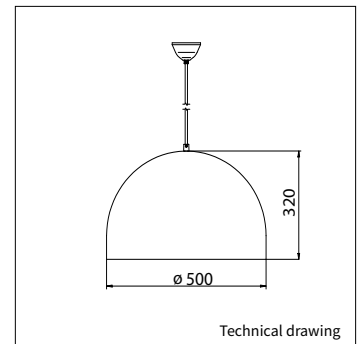
Δ see colors

1.5m suspension set standard.

Keylight International reserves the right to modify or change technical, construction or LED specifications due to continuous improvements of our products and light sources. The light source in this product can be replaced with an equivalent module made by Philips, Osram or Tridonic.



SHELL



Technical drawing

ART.NR.	LAMP TYPE	BRAND	LIGHT OUTPUT	MODULE POWER	MODULE EFFICIENCY	CORRELATED COLOUR TEMPERATURE	COLOUR RENDERING INDEX	TC LIFE
Δ see color								
7028.196.91Δ	E27	KL	650LM	75W	N/A	2700K	>80	40.000Hrs
7028.197.91Δ	E27	KL	750LM	75W	N/A	4000K	>80	40.000Hrs
7028.198.91Δ	E27	KL	1000LM	100W	N/A	2700K	>80	40.000Hrs



CLASSIC BAY

PRODUCT MATERIAL	Steel, aluminium and acryl
LIGHT SOURCE	SLM G6
MODULE LIFETIME	Approx. 50.000 hours
LED COOLING	Passive cooling
DRIVER	Incl. xitanium driver
COLORS (Δ)	○ 3 = RAL 9003 white ● 5 = RAL 9005 black ● 6 = RAL 9006 alu
SIZE	600 X 544MM



OPTIONS

COLORS	Available in all RAL colours on request Additional price + 10% Also available: color combinations
DIMMABLE	Dimmable DALI € 60,00

INFORMATION

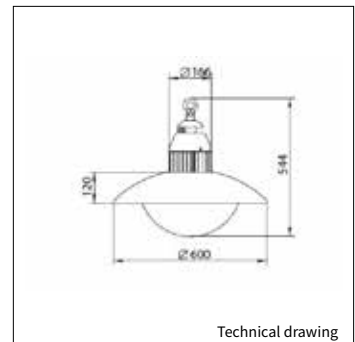
WARRANTY	5 Years
-----------------	---------

Δ = product color code. See colors

1.5m suspension set standard.

Keylight International reserves the right to modify or change technical, construction or LED specifications due to continuous improvements of our products and light sources. The light source in this product can be replaced with an equivalent module made by Philips, Osram or Tridonic.

CLASSIC BAY



Technical drawing

AVAILABLE SLM OPTIONS

To order the correct product, please replace **COB*** in the article number field with the COB code found on the last page of the catalogue

ARTICLE NUMBER	LUMINOUS FLUX	BRAND	OUTPUT POWER	COLOUR TEMPERATURE	CRI	SETTING	POWER FACTOR
Δ See colors							
7517. COB* .24.Δ	1100	Philips SLM G6	7W	827 / 830 / 835 / 840 / 850	>80	High Efficiency	>0,9
7517. COB* .24.Δ	1100	Philips SLM G6	8W	927 / 930	>90	High Efficiency	>0,9
7517. COB* .24.Δ	1100	Philips SLM G6	7W	830 Premium White	>80	High Efficiency	>0,9
7517. COB* .24.Δ	1100	Philips SLM G6	8W	930 / 935 / 940 Premium White	>90	High Efficiency	>0,9
7517. COB* .24.Δ	1100	Philips SLM G6	10W	930 Crisp White (930 CW)	>90	High Efficiency	>0,9
7517. COB* .24.Δ	1100	Philips SLM G6	11W	Food Warm White (FWW)	84	High Efficiency	>0,9
7517. COB* .24.Δ	1100	Philips SLM G6	11W	Food Premium Red (FPR)	88	High Efficiency	>0,9
7517. COB* .24.Δ	2000	Philips SLM G6	13W	827 / 830 / 835 / 840 / 850	>80	High Efficiency	>0,9
7517. COB* .24.Δ	2000	Philips SLM G6	17W	927 / 930	>90	High Efficiency	>0,9
7517. COB* .24.Δ	2000	Philips SLM G6	14W	830 Premium White	>80	High Efficiency	>0,9
7517. COB* .24.Δ	2000	Philips SLM G6	16W	930 / 935 / 940 Premium White	>90	High Efficiency	>0,9
7517. COB* .24.Δ	2000	Philips SLM G6	21W	930 Crisp White (930 CW)	>90	High Efficiency	>0,9
7517. COB* .24.Δ	2000	Philips SLM G6	23W	Food Warm White (FWW)	84	High Efficiency	>0,9
7517. COB* .24.Δ	2000	Philips SLM G6	22W	Food Premium Red (FPR)	88	High Efficiency	>0,9
7517. COB* .24.Δ	3000	Philips SLM G6	19W	827 / 830 / 835 / 840 / 850 / 857	>80	High Efficiency	>0,9
7517. COB* .24.Δ	3000	Philips SLM G6	26W	927 / 930	>90	High Efficiency	>0,9
7517. COB* .24.Δ	3000	Philips SLM G6	20W	830 Premium White	>80	High Efficiency	>0,9
7517. COB* .24.Δ	3000	Philips SLM G6	25W	930 / 935 / 940 Premium White	>90	High Efficiency	>0,9
7517. COB* .24.Δ	3000	Philips SLM G6	32W	930 Crisp White (930 CW)	>90	High Efficiency	>0,9
7517. COB* .24.Δ	3000	Philips SLM G6	39W	Food Warm White (FWW)	84	High Efficiency	>0,9
7517. COB* .24.Δ	3000	Philips SLM G6	37W	Food Premium Red (FPR)	88	High Efficiency	>0,9
7517. COB* .24.Δ	4500	Philips SLM G6	29W	827 / 830 / 835 / 840 / 850 / 857	>80	High Efficiency	>0,9
7517. COB* .24.Δ	4500	Philips SLM G6	38W	927 / 930	>90	High Efficiency	>0,9
7517. COB* .24.Δ	4500	Philips SLM G6	30W	830 Premium White	>80	High Efficiency	>0,9
7517. COB* .24.Δ	4500	Philips SLM G6	37W	930 / 935 / 940 Premium White	>90	High Efficiency	>0,9
7517. COB* .24.Δ	4500	Philips SLM G6	45W	930 Crisp White (930 CW)	>90	High Efficiency	>0,9

High efficiency is the standard Keylight setting for all SLM G6 LED modules. For technical and warranty information regarding high efficiency, see last page of the catalogue. Standard system warranty is 5 years.



INDU LED

PRODUCT MATERIAL	Steel and aluminium
LIGHT SOURCE	Philips DLM Flex ES / DLM Flex G2
MODULE LIFETIME	DLM Flex ES: 50.000 Hrs DLM Flex G2: 60.000 Hrs
LED COOLING	Passive cooling
DRIVER DLM	Incl. standard xitanium driver.
COLORS Δ	○ 3 = RAL 9003 white ● 5 = RAL 9005 black ● 6 = RAL 9006 alu
ADJUSTABLE	No
SIZE	485 X 440MM



OPTIONS

COLORS	Available in all RAL colours on request Additional price + 10%. Also available: color combinations	
DIMMABLE	Dimmable DALI Flex DLM	€ 60,00
COLOR INSIDE ON REQUEST	● Gold ○ White ● Black ● Aluminium color ● Custom color on request	

INDU LED

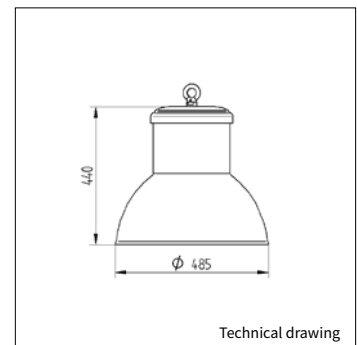
INFORMATION

WARRANTY	5 Years
-----------------	---------

Δ = product color code. See colors

1.5m suspension set standard.

Keylight International reserves the right to modify or change technical, construction or LED specifications due to continuous improvements of our products and lightsources. The light source in this product can be replaced with an equivalent module made by Philips, Osram or Tridonic.



Technical drawing

FORTIMO DLM EASE SELECT G1

Different lumen output or wattages available on request

ART.NR.	LUMEN	PHILIPS FORTIMO DLM ES G1	HOUSING	LUMINOUS FLUX	MODULE EFFICIENCY	OUTPUT POWER	COLOUR TEMPERATURE	CRI	INPUT VOLTAGE	TC	POWER FACTOR	TC LIFETIME
7485.281.92Δ	1100	FORTIMO DLM ES 830	Low	1080LM	114LM/W	10W	3000K	>80	230V	85°C	>0,9	50.000 Hrs
7485.282.92Δ	1100	FORTIMO DLM ES 840	Low	1100LM	116LM/W	10W	4000K	>80	230V	85°C	>0,9	50.000 Hrs
7485.283.92Δ	2000	FORTIMO DLM ES 830	Low	1930LM	110LM/W	18W	3000K	>80	230V	85°C	>0,9	50.000 Hrs
7485.284.92Δ	2000	FORTIMO DLM ES 840	Low	2000LM	114LM/W	18W	4000K	>80	230V	85°C	>0,9	50.000 Hrs
7485.285.92Δ	3000	FORTIMO DLM ES 830	Low	2850LM	108LM/W	26.5W	3000K	>80	230V	85°C	>0,9	50.000 Hrs
7485.286.92Δ	3000	FORTIMO DLM ES 840	Low	3000LM	108LM/W	26.5W	4000K	>80	230V	85°C	>0,9	50.000 Hrs

Δ See colors

High efficiency is the standard Keylight setting for all DLM G2 LED modules. For technical and warranty information regarding high efficiency, see page 300. Standard system warranty is 5 years.

FORTIMO DLM FLEX G2

Different lumen output or wattages available on request

ART.NR.	LUMEN	PHILIPS FORTIMO DLM G2	HOUSING	LUMINOUS FLUX	MODULE EFFICIENCY	OUTPUT POWER	COLOUR TEMPERATURE	CRI	INPUT VOLTAGE	TC	POWER FACTOR	TC LIFETIME
7485.101.92Δ	1100	DLM FLEX 830 G2	Low	1075LM	115LM/W	9.8W	3000K	>80	34V	85°C	>0,9	60.000 Hrs
7485.102.92Δ	1100	DLM FLEX 840 G2	Low	1075LM	127LM/W	8.6W	4000K	>80	34V	85°C	>0,9	60.000 Hrs
7485.103.92Δ	2000	DLM FLEX 830 G2	Low	1954LM	113LM/W	17.6W	3000K	>80	34V	85°C	>0,9	60.000 Hrs
7485.104.92Δ	2000	DLM FLEX 840 G2	Low	1954LM	125LM/W	16.0W	4000K	>80	34V	85°C	>0,9	60.000 Hrs
7485.105.92Δ	3000	DLM FLEX 830 G2	Low	2931LM	115LM/W	26.8W	3000K	>80	34V	85°C	>0,9	60.000 Hrs
7485.106.92Δ	3000	DLM FLEX 840 G2	Low	2931LM	127LM/W	23.4W	4000K	>80	34V	85°C	>0,9	60.000 Hrs

Δ See colors

High efficiency is the standard Keylight setting for all DLM G2 LED modules. For technical and warranty information regarding high efficiency, see page 300. Standard system warranty is 5 years.

WALL LUMINAIRES



MURIO S UP/DN

PAGE 226



BLOCK W

PAGE 230



BLOCK H

PAGE 234



BOXX 12

PAGE 238



VENTURA

PAGE 241



MURIO L UP/DN
PAGE 227



LOOK
PAGE 228



SUNSET
PAGE 229



BLOCK S
PAGE 231



BLOCK O
PAGE 232



BLOCK C UD
PAGE 233



WAVE
PAGE 235



BLOCK U
PAGE 236



MATEO 9
PAGE 237



VERO
PAGE 239



SATURNUS R
PAGE 240



SATURNUS S
PAGE 240

INTERIOR WALL LUMINAIRES

BLOCK C UD	PAGE 233
BLOCK H	PAGE 234
BLOCK O	PAGE 232
BLOCK S	PAGE 231
BLOCK W	PAGE 230
BOXX 12	PAGE 238
LOOK	PAGE 228
MATEO 9	PAGE 237
MURIO L UP/DN	PAGE 227
MURIO S UP/DN	PAGE 226
SATURNUS R + S	PAGE 240
SUNSET	PAGE 229
VENTURA	PAGE 241
VERO	PAGE 239
WAVE	PAGE 235



NEW MURIO S UP/DN

PRODUCT MATERIAL	Steel
LIGHT SOURCE	Cree
MODULE LIFETIME	Approx. 30.000 hours
LED COOLING	Passive cooling
DRIVER	Incl. standard driver
COLORS (Δ)	<ul style="list-style-type: none"> ○ 3 = RAL 9003 white ● 77 = RAL 7037 Light grey ● 7 = RAL 7043 Antracit ● 5 = RAL 9005 black
BEAM ANGLE	30°
SIZE	100 X 103MM. See technical drawing



OPTIONS

DIMMABLE	Trailing or leading-edge dimmable 350-700mA 12W (Build-in) art. no.: 0350.700.99.9	€ 55,00
-----------------	--	---------

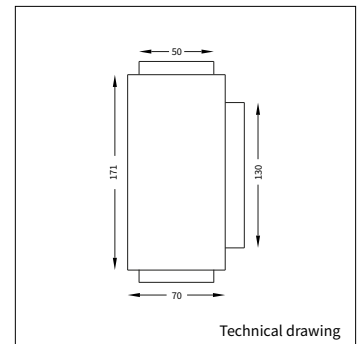
INFORMATION

WARRANTY	3 Years
-----------------	---------

Δ = product color code. See colors



MURIO S UP/DN



Keylight International reserves the right to modify or change technical, construction or LED specifications due to continuous improvements of our products and lightsources.

ART.NR.	LAMP TYPE	BRAND	LUMINOUS FLUX	OUTPUT POWER	MODULE EFFICIENCY	COLOUR TEMPERATURE	CRI	TC LIFETIME	mA
6035.270.30.Δ	XP-E	Cree	280LM	2 X 2.5W	112LM/W	2700K	>80	30.000 Hrs	700

Δ see colors



NEW
MURIO L UP/DN

PRODUCT MATERIAL	Steel
LIGHT SOURCE	Cree
MODULE LIFETIME	Approx. 30.000 hours
LED COOLING	Passive cooling
DRIVER	Incl. standard driver
COLORS (Δ)	<ul style="list-style-type: none"> ○ 3 = RAL 9003 white ● 77 = RAL 7037 Light grey ● 7 = RAL 7043 Antracit ● 5 = RAL 9005 black
BEAM ANGLE	30°
SIZE	100 X 103MM. See technical drawing



MURIO L UP/DN

OPTIONS

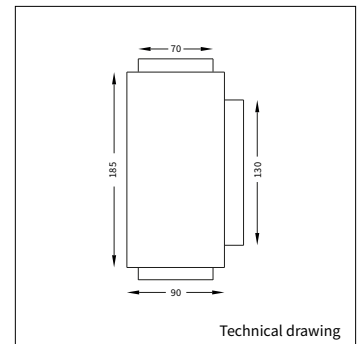
DIMMABLE	Trailing or leading-edge dimmable 350-700mA 12W (Build-in) art. no.: 0350.700.99.9	€ 55,00
-----------------	--	---------

INFORMATION

WARRANTY	3 Years
-----------------	---------

Δ = product color code. See colors

Keylight International reserves the right to modify or change technical, construction or LED specifications due to continuous improvements of our products and lightsources.



ART.NR.	LAMP TYPE	BRAND	LUMINOUS FLUX	OUTPUT POWER	MODULE EFFICIENCY	COLOUR TEMPERATURE	CRI	TC LIFETIME	mA
6036.270.30.Δ	XP-E	Cree	280LM	2 X 2.5W	112LM/W	2700K	>80	30.000 Hrs	700

Δ see colors



LOOK

PRODUCT MATERIAL	Die-cast aluminium
LIGHT SOURCE	V8 Array
MODULE LIFETIME	Approx. 30.000 hours
LED COOLING	Passive cooling
DRIVER	Incl. standard driver
COLORS (Δ)	<ul style="list-style-type: none"> ● 5 = RAL 9005 black ● 88 = Chrome ● + ○ 35 = Black & white ● + ● 65 = Gray & black
BEAM ANGLE	30°
ADJUSTABLE	350° rotational 90° rotational spot head
SIZE	100 X 103MM. See technical drawing



OPTIONS

DIMMABLE	Dimmable 1/10v 500mA 10W (build-in) art. no.: 0110.500.10	€ 55,00
-----------------	--	---------

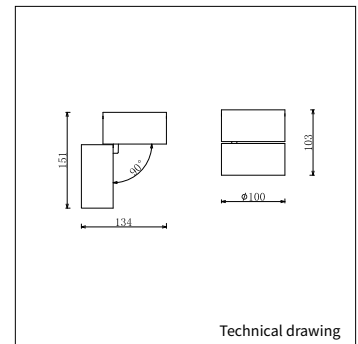
INFORMATION

WARRANTY	2 Years
-----------------	---------

Δ = product color code. See colors

Keylight International reserves the right to modify or change technical, construction or LED specifications due to continuous improvements of our products and lightsources.

LOOK



ART.NR.	LAMP TYPE	BRAND	LUMINOUS FLUX	OUTPUT POWER	MODULE EFFICIENCY	COLOUR TEMPERATURE	CRI	TC LIFETIME	mA
Δ see colors									
6020.027.23.Δ	V8 Array	Bridgelux	970LM	9.3W	113LM/W	2700K	>80	30.000 Hrs	500mA
6021.027.23.Δ (dimmbale)	V8 Array	Bridgelux	970LM	9.3W	113LM/W	2700K	>80	30.000 Hrs	500mA



SUNSET

PRODUCT MATERIAL	Aluminium + glass	
LIGHT SOURCE	M-Zenigata	
MODULE LIFETIME	Approx. 30.000 hours	
LED COOLING	Passive cooling	
DRIVER	Incl. driver.	
COLORS (Δ)	○	3 = RAL 9003 white
	● + ●	59 = 9005 black. Gold inside
SIZE	175 X 80 X 90MM	

OPTIONS

DIMMABLE	Phase-cut 700mA (build-in) art. no.: 0350.700.99.9	€ 55,00
-----------------	---	---------

INFORMATION

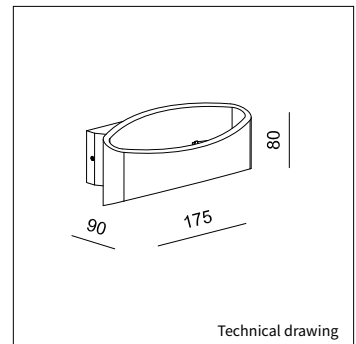
WARRANTY	2 Years
-----------------	---------

Δ = product color code. See colors

Keylight International reserves the right to modify or change technical, construction or LED specifications due to continuous improvements of our products and lightsources.



SUNSET



ART.NR.	LAMP TYPE	BRAND	LUMINOUS FLUX	OUTPUT POWER	MODULE EFFICIENCY	COLOUR TEMPERATURE	CRI	TC LIFETIME	mA
6021.999.99Δ	M-Zenigata	Sharp	380LM	5W	76LM/W	2700K	>80	30.000 Hrs	700

Δ see colors



BLOCK W

PRODUCT MATERIAL	Aluminium
LIGHT SOURCE	XM-L
MODULE LIFETIME	Approx. 30.000 hours
LED COOLING	Passive cooling
DRIVER	Incl. driver.
COLORS (Δ)	<ul style="list-style-type: none"> ○ 3 = RAL 9003 white ● 5 = RAL 9005 black ● 9 = Alu brushed - white inside
SIZE	102 X 102 X 58MM



INFORMATION

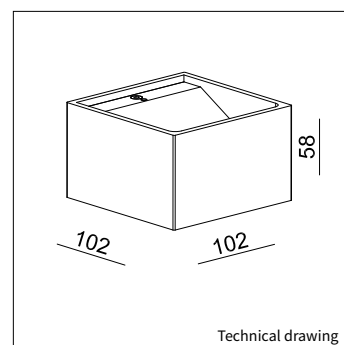
WARRANTY	2 Years
-----------------	---------

Δ = product color code. See colors

Also available as a dimmable version on request (external driver).

Keylight International reserves the right to modify or change technical, construction or LED specifications due to continuous improvements of our products and lightsources.

BLOCK W



ART.NR.	LAMP TYPE	BRAND	LUMINOUS FLUX	OUTPUT POWER	MODULE EFFICIENCY	COLOUR TEMPERATURE	CRI	TC LIFETIME	mA
Δ see colors									
6102.990.99Δ	XM-L	Cree	320LM	4W	80LM/W	2700K	>80	30.000 Hrs	350



BLOCK S

PRODUCT MATERIAL

Aluminium

LIGHT SOURCE

XM-L

MODULE LIFETIME

Approx. 30.000 hours

LED COOLING

Passive cooling

DRIVER

Incl. driver.

COLORS (Δ)

- 3 = RAL 9003 white
- 5 = RAL 9005 black
- 9 = Alu brushed - white inside

SIZE

102 X 102 X 102MM



OPTIONS

DIMMABLE

Phase-cut 350 mA 10W (build-in) € 55,00
art. no.: 0117.350.10.0

ACCESSOIRES

Incl. 3 different beam width covers

INFORMATION

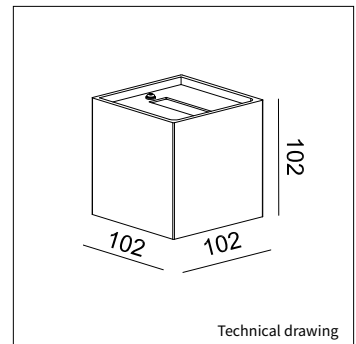
WARRANTY

2 Years

Δ = product color code. See colors

BLOCK S

Keylight International reserves the right to modify or change technical, construction or LED specifications due to continuous improvements of our products and lightsources.



ART.NR.	LAMP TYPE	BRAND	LUMINOUS FLUX	OUTPUT POWER	MODULE EFFICIENCY	COLOUR TEMPERATURE	CRI	TC LIFETIME	mA
6012.990.99Δ	XM-L	Cree	320LM	4W	80LM/W	2700K	>80	30.000 Hrs	350

Δ see colors



BLOCK O

PRODUCT MATERIAL	Die-cast aluminium
LIGHT SOURCE	XP-E
MODULE LIFETIME	Approx. 30.000 hours
LED COOLING	Passive cooling
DRIVER	Incl. driver.
COLORS (Δ)	○ 3 = RAL 9003 white ● 5 = RAL 9005 black
BEAM ANGLE	30°
SIZE	80 X 85 X 70MM



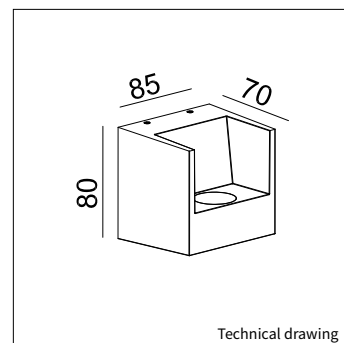
INFORMATION

WARRANTY	2 Years
-----------------	---------

Δ = product color code. See colors

Keylight International reserves the right to modify or change technical, construction or LED specifications due to continuous improvements of our products and lightsources.

BLOCK O



ART.NR.	LAMP TYPE	BRAND	LUMINOUS FLUX	OUTPUT POWER	MODULE EFFICIENCY	COLOUR TEMPERATURE	CRI	TC LIFETIME	mA
Δ see colors									
6800.990.30Δ	XP-E	Cree	280LM	2.5W	112LM/W	2700K	>80	30.000	700



BLOCK C UD

PRODUCT MATERIAL	Die-cast aluminium
LIGHT SOURCE	XP-E
MODULE LIFETIME	Approx. 30.000 hours
LED COOLING	Passive cooling
DRIVER	Incl. driver.
COLORS (Δ)	○ 3 = RAL 9003 white ● 5 = RAL 9005 black
BEAM ANGLE	30°
SIZE	120 X 78 X 70MM



OPTIONS

DIMMABLE	Trailing or leading-edge dimmable 350-700mA 12W (Build-in) art. no.: 0350.700.99.9	€ 55,00
-----------------	--	---------

INFORMATION

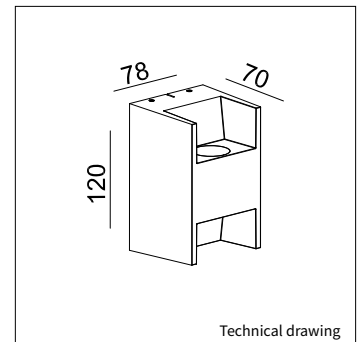
WARRANTY	2 Years
-----------------	---------

Δ = product color code. See colors

Also available as a dimmable version on request (external driver).

Keylight International reserves the right to modify or change technical, construction or LED specifications due to continuous improvements of our products and lightsources.

BLOCK C UD



ART.NR.	LAMP TYPE	BRAND	LUMINOUS FLUX	OUTPUT POWER	MODULE EFFICIENCY	COLOUR TEMPERATURE	CRI	TC LIFETIME	mA
Δ see colors									
6013.990.30.5	XP-E	Cree	280LM	2 X 2.5W	112LM/W	3000K	>80	30.000 Hrs	700
6013.270.30.Δ	XP-E	Cree	280LM	2 X 2.5W	112LM/W	2700K	>80	30.000 Hrs	700



BLOCK H

PRODUCT MATERIAL	Aluminium
LIGHT SOURCE	XM-L
MODULE LIFETIME	Approx. 30.000 hours
LED COOLING	Passive cooling
DRIVER	Incl. driver.
COLORS (Δ)	○ 3 = RAL 9003 white ● + ● 59 = 9005 black. Gold inside
SIZE	125 X 125 X 80MM



OPTIONS

DIMMABLE	Phase-cut 350 mA 10W (build-in) € 55,00 art. no.: 0117.350.10.0
-----------------	--

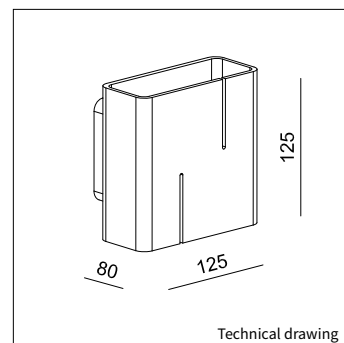
INFORMATION

WARRANTY	2 Years
-----------------	---------

Δ = product color code. See colors

Keylight International reserves the right to modify or change technical, construction or LED specifications due to continuous improvements of our products and lightsources.

BLOCK H



ART.NR.	LAMP TYPE	BRAND	LUMINOUS FLUX	OUTPUT POWER	MODULE EFFICIENCY	COLOUR TEMPERATURE	CRI	TC LIFETIME	mA
6080.990.99Δ	XM-L	Cree	320LM	4W	80LM/W	2700K	>80	30.000	350

Δ see colors



WAVE

PRODUCT MATERIAL	Aluminium
LIGHT SOURCE	XM-L
MODULE LIFETIME	Approx. 30.000 hours
LED COOLING	Passive cooling
DRIVER	Incl. driver.
COLORS (Δ)	○ 3 = RAL 9003 white ● 5 = RAL 9005 black
SIZE	120 X 107 X 200MM

OPTIONS

DIMMABLE	Phase-cut 350 mA 10W (build-in) € 55,00 art. no.: 0117.350.10.0
-----------------	--

INFORMATION

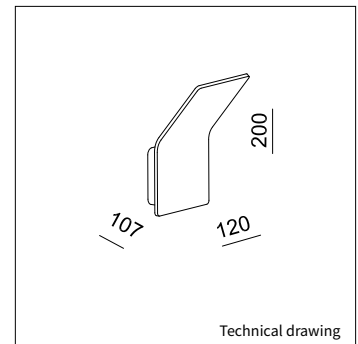
WARRANTY	2 Years
-----------------	---------

Δ = product color code. See colors

Keylight International reserves the right to modify or change technical, construction or LED specifications due to continuous improvements of our products and lightsources.



WAVE



ART.NR.	LAMP TYPE	BRAND	LUMINOUS FLUX	OUTPUT POWER	MODULE EFFICIENCY	COLOUR TEMPERATURE	CRI	TC LIFETIME	mA
Δ see colors									
6082.990.99.Δ	XM-L	Cree	280LM	4W	70LM/W	2700K	>80	30.000 Hrs	350



BLOCK U

PRODUCT MATERIAL	Die-cast aluminium
LIGHT SOURCE	SMD LED
MODULE LIFETIME	Approx. 30.000 hours
LED COOLING	Passive cooling
DRIVER	Incl. driver.
COLORS (Δ)	● + ○ 35 = Black & white
ADJUSTABLE	180° vertically adjustable
SIZE	123 X 125 X 80MM



INFORMATION

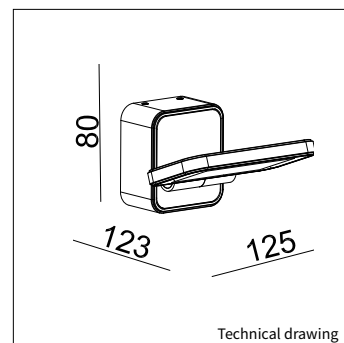
WARRANTY	2 Years
-----------------	---------

Δ = product color code. See colors

Also available as a dimmable version on request (external driver).

Keylight International reserves the right to modify or change technical, construction or LED specifications due to continuous improvements of our products and lightsources.

BLOCK U



ART.NR.	LAMP TYPE	BRAND	LUMINOUS FLUX	OUTPUT POWER	MODULE EFFICIENCY	COLOUR TEMPERATURE	CRI	TC LIFETIME	mA
Δ see colors									
6086.990.99.35	SMD LED	Everlight	600LM	8W	75LM/W	3000K	>80	30.000 Hrs	-



MATEO 9

PRODUCT MATERIAL	Steel and aluminium
LIGHT SOURCE	Philips Disk
MODULE LIFETIME	Approx. 50.000 hours
LED COOLING	Passive cooling
DRIVER	Incl. integrated driver
COLORS (Δ)	<ul style="list-style-type: none"> ○ 3 = RAL 9003 white ● 5 = RAL 9005 black ● 6 = RAL 9006 alu
BEAM ANGLE	
SIZE	130 X 114 X 90MM



OPTIONS

COLORS	Available in all RAL colours on request. Additional price + 10%
---------------	--

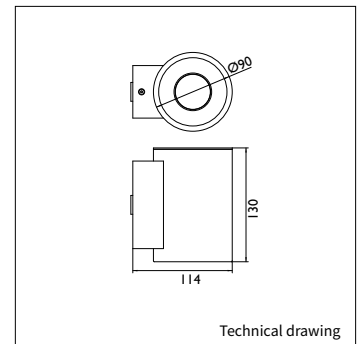
INFORMATION

WARRANTY	5 Years
-----------------	---------

Δ = product color code. See colors

Keylight International reserves the right to modify or change technical, construction or LED specifications due to continuous improvements of our products and light sources. The light source in this product can be replaced with an equivalent module made by Philips, Osram or Tridonic.

MATEO 9



ART.NR.	LAMP TYPE	BRAND	LUMINOUS FLUX	OUTPUT POWER	MODULE EFFICIENCY	COLOUR TEMPERATURE	CRI	TC LIFETIME	POWER FACTOR
Δ see color									
6122.141.80.Δ	Philips Disk	Philips	800LM	12W	68LM/W	2700K	>80	50.000	>0,9
6122.142.80.Δ	Philips Disk	Philips	800LM	12W	68LM/W	3000K	>80	50.000	>0,9
6122.143.80.Δ	Philips Disk	Philips	850LM	11W	72LM/W	4000K	>80	50.000	>0,9



BOXX 12

PRODUCT MATERIAL	Steel and aluminium
LIGHT SOURCE	SLM G6
MODULE LIFETIME	Approx. 50.000 hours
LED COOLING	Passive cooling
DRIVER	Incl. Xitanium driver.
COLORS (Δ)	<ul style="list-style-type: none"> ○ 3 = RAL 9003 white ● 5 = RAL 9005 black ● 6 = RAL 9006 alu
BEAM ANGLE	
SIZE	185 X 235MM

OPTIONS

COLORS	Available in all RAL colours on request.	
	Additional price + 10%	
DIMMABLE	Dimmable DALI	€ 60,00

INFORMATION

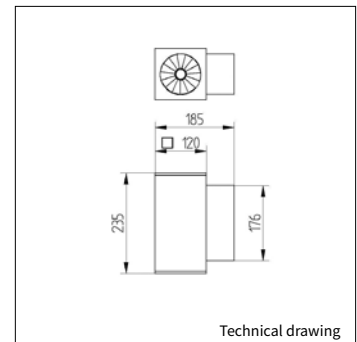
WARRANTY	5 Years
-----------------	---------

Δ = product color code. See colors

Keylight International reserves the right to modify or change technical, construction or LED specifications due to continuous improvements of our products and light sources. The light source in this product can be replaced with an equivalent module made by Philips, Osram or Tridonic.



BOXX 12



Technical drawing

AVAILABLE SLM OPTIONS

To order the correct product, please replace **COB*** in the article number field with the COB code found on the last page of the catalogue

ARTICLE NUMBER Δ See colors	LUMINOUS FLUX	BRAND	OUTPUT POWER	COLOUR TEMPERATURE	CRI	SETTING	POWER FACTOR
6120. COB* .24.Δ	1100	Philips SLM G6	7W	827 / 830 / 835 / 840 / 850	>80	High Efficiency	>0,9
6120. COB* .24.Δ	1100	Philips SLM G6	8W	927 / 930	>90	High Efficiency	>0,9
6120. COB* .24.Δ	1100	Philips SLM G6	7W	830 Premium White	>80	High Efficiency	>0,9
6120. COB* .24.Δ	1100	Philips SLM G6	8W	930 / 935 / 940 Premium White	>90	High Efficiency	>0,9
6120. COB* .24.Δ	1100	Philips SLM G6	10W	930 Crisp White (930 CW)	>90	High Efficiency	>0,9
6120. COB* .24.Δ	2000	Philips SLM G6	13W	827 / 830 / 835 / 840 / 850	>80	High Efficiency	>0,9
6120. COB* .24.Δ	2000	Philips SLM G6	17W	927 / 930	>90	High Efficiency	>0,9
6120. COB* .24.Δ	2000	Philips SLM G6	14W	830 Premium White	>80	High Efficiency	>0,9
6120. COB* .24.Δ	2000	Philips SLM G6	16W	930 / 935 / 940 Premium White	>90	High Efficiency	>0,9
6120. COB* .24.Δ	2000	Philips SLM G6	21W	930 Crisp White (930 CW)	>90	High Efficiency	>0,9
6120. COB* .24.Δ	3000	Philips SLM G6	19W	827 / 830 / 835 / 840 / 850 / 857	>80	High Efficiency	>0,9
6120. COB* .24.Δ	3000	Philips SLM G6	26W	927 / 930	>90	High Efficiency	>0,9
6120. COB* .24.Δ	3000	Philips SLM G6	20W	830 Premium White	>80	High Efficiency	>0,9
6120. COB* .24.Δ	3000	Philips SLM G6	25W	930 / 935 / 940 Premium White	>90	High Efficiency	>0,9
6120. COB* .24.Δ	3000	Philips SLM G6	32W	930 Crisp White (930 CW)	>90	High Efficiency	>0,9

High efficiency is the standard Keylight setting for all SLM G6 LED modules. For technical and warranty information regarding high efficiency, see last page of the catalogue. Standard system warranty is 5 years.



VERO

PRODUCT MATERIAL	Steel and aluminium
LIGHT SOURCE	SLM G6
MODULE LIFETIME	Approx. 50.000 hours
LED COOLING	Passive cooling
DRIVER	Incl. Xitanium driver.
COLORS (Δ)	○ 3 = RAL 9003 white ● 5 = RAL 9005 black ● 6 = RAL 9006 alu
BEAM ANGLE	30°
SIZE	222 X 174MM



OPTIONS

COLORS	Available in all RAL colours on request. Additional price + 10%	
DIMMABLE	Dimmable DALI	€ 60,00

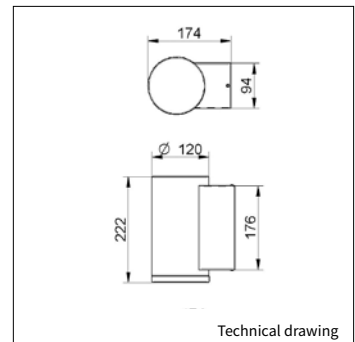
INFORMATION

WARRANTY	5 Years
-----------------	---------

VERO

Δ = product color code. See colors

Keylight International reserves the right to modify or change technical, construction or LED specifications due to continuous improvements of our products and light sources. The light source in this product can be replaced with an equivalent module made by Philips, Osram or Tridonic.



AVAILABLE SLM OPTIONS

To order the correct product, please replace **COB*** in the article number field with the COB code found on the last page of the catalogue

ARTICLE NUMBER Δ See colors	LUMINOUS FLUX	BRAND	OUTPUT POWER	COLOUR TEMPERATURE	CRI	SETTING	POWER FACTOR
6012.COB*.24.Δ	1100	Philips SLM G6	7W	827 / 830 / 835 / 840 / 850	>80	High Efficiency	>0,9
6012.COB*.24.Δ	1100	Philips SLM G6	8W	927 / 930	>90	High Efficiency	>0,9
6012.COB*.24.Δ	1100	Philips SLM G6	7W	830 Premium White	>80	High Efficiency	>0,9
6012.COB*.24.Δ	1100	Philips SLM G6	8W	930 / 935 / 940 Premium White	>90	High Efficiency	>0,9
6012.COB*.24.Δ	1100	Philips SLM G6	10W	930 Crisp White (930 CW)	>90	High Efficiency	>0,9
6012.COB*.24.Δ	2000	Philips SLM G6	13W	827 / 830 / 835 / 840 / 850	>80	High Efficiency	>0,9
6012.COB*.24.Δ	2000	Philips SLM G6	17W	927 / 930	>90	High Efficiency	>0,9
6012.COB*.24.Δ	2000	Philips SLM G6	14W	830 Premium White	>80	High Efficiency	>0,9
6012.COB*.24.Δ	2000	Philips SLM G6	16W	930 / 935 / 940 Premium White	>90	High Efficiency	>0,9
6012.COB*.24.Δ	2000	Philips SLM G6	21W	930 Crisp White (930 CW)	>90	High Efficiency	>0,9
6012.COB*.24.Δ	3000	Philips SLM G6	19W	827 / 830 / 835 / 840 / 850 / 857	>80	High Efficiency	>0,9
6012.COB*.24.Δ	3000	Philips SLM G6	26W	927 / 930	>90	High Efficiency	>0,9
6012.COB*.24.Δ	3000	Philips SLM G6	20W	830 Premium White	>80	High Efficiency	>0,9
6012.COB*.24.Δ	3000	Philips SLM G6	25W	930 / 935 / 940 Premium White	>90	High Efficiency	>0,9
6012.COB*.24.Δ	3000	Philips SLM G6	32W	930 Crisp White (930 CW)	>90	High Efficiency	>0,9

High efficiency is the standard Keylight setting for all SLM G6 LED modules. For technical and warranty information regarding high efficiency, see last page of the catalogue. Standard system warranty is 5 years.



SATURNUS R + S

PRODUCT MATERIAL	Aluminium
LIGHT SOURCE	XP-E
MODULE LIFETIME	Approx. 30.000 hours
LED COOLING	Passive cooling
DRIVER	Incl. standard dimmable driver
COLORS (Δ)	○ 3 = RAL 9003 white
SIZE ROUND	52 X 57 X 15MM
SIZE SQUARE	50 X 57 X 15MM

INFORMATION

WARRANTY	2 Years
-----------------	---------

Including:

- 10 CM wire to connection block
 - 10 CM wire to driver
 - Driver size is 40 x 40 x 20mm
 - 1 meter wire with plug
- Δ = product color code. See colors

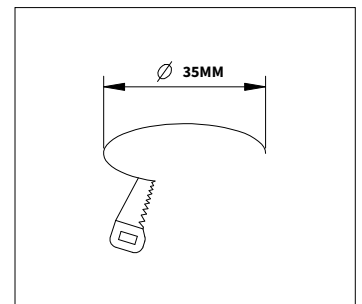
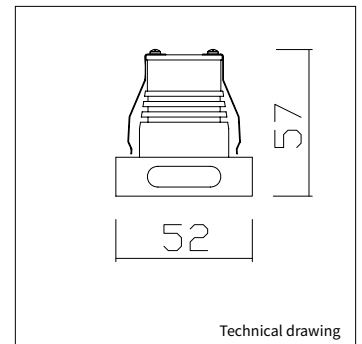
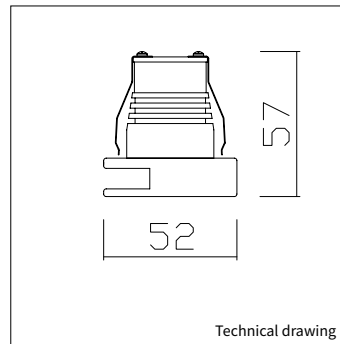


SATURNUS (ROUND)



SATURNUS (SQUARE)

Keylight International reserves the right to modify or change technical, construction or LED specifications due to continuous improvements of our products and lightsources.



ART.NR.	LAMP TYPE	BRAND	LUMINOUS FLUX	OUTPUT POWER	MODULE EFFICIENCY	COLOUR TEMPERATURE	CRI	TC LIFETIME	mA
Δ see color									
6052.990.99.3R	XP-E	Cree	21LM	1.2W	21LM/W	2700K	>80	30.000 Hrs	350
6050.990.99.3S	XP-E	Cree	21lm	1.2W	21LM/W	2700K	>80	30.000 Hrs	350



PRODUCT MATERIAL	Steel and aluminium
LIGHT SOURCE	LED
MODULE LIFETIME	Approx. 50.000 hours
LED COOLING	Passive cooling
DRIVER	Incl. driver
COLORS (Δ)	<ul style="list-style-type: none"> ○ 3 = RAL 9003 white ● 5 = RAL 9005 black ● 6 = RAL 9006 alu
BEAM ANGLE	WIDEBEAM
SIZE	32 X 184MM



OPTIONS

COLORS	Available in all RAL colours on request. Additional price + 10%
---------------	--

INFORMATION

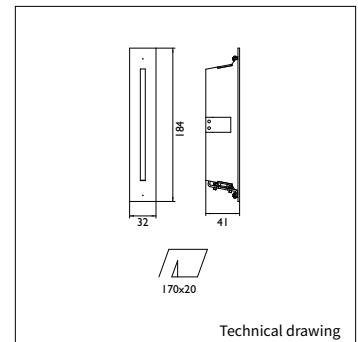
WARRANTY	5 Years
-----------------	---------

Δ = product color code. See colors

Including plasterkit

Keylight International reserves the right to modify or change technical, construction or LED specifications due to continuous improvements of our products and lightsources.

VENTURA



ART.NR.	LAMP TYPE	BRAND	LUMINOUS FLUX	OUTPUT POWER	MODULE EFFICIENCY	COLOUR TEMPERATURE	CRI	TC LIFETIME	POWER FACTOR
6121.100.12.Δ	LED	Keylight	100LM	1,2W	83LM/W	3000K	>80	40.000 Hrs	>0,9

PROFILES & LINEAR LINE



P



PROFILE 6
PAGE 244



PROFILE 6 R
PAGE 245



PROFILE 8
PAGE 246



PROFILE 8 R
PAGE 247



PROFILE 6 W (UP/DN)
PAGE 248



PROFILE 18 D + 18 ID
PAGE 249

INTERIOR PROFILES & LINEAR LINE

LINEAR LINE	PAGE 250
PROFILE 18 D + 18 ID	PAGE 249
PROFILE 6	PAGE 244
PROFILE 6 R	PAGE 245
PROFILE 6 W UP/DN	PAGE 248
PROFILE 8	PAGE 246
PROFILE 8 R	PAGE 247

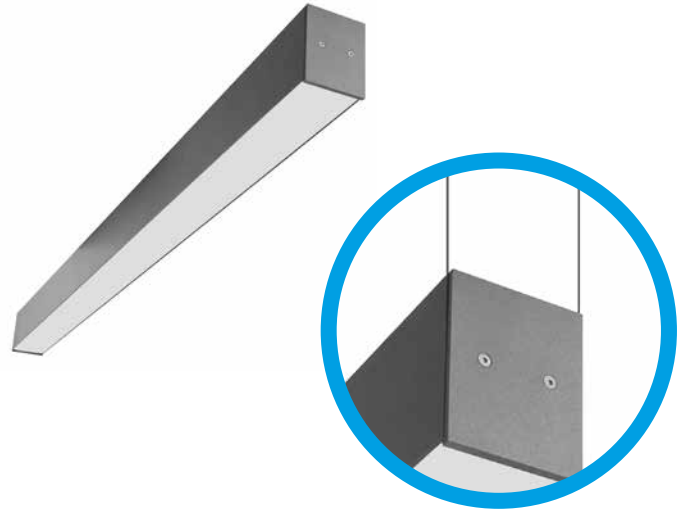


LINEAR LINE SYSTEMS
PAGE 250



PROFILE 6

PRODUCT MATERIAL	Aluminium profile
LIGHT SOURCE	Philips Ledline
MODULE LIFETIME	Approx. 50.000 hours
LED COOLING	Passive cooling
DRIVER LEDLINE	Incl. standard xitanium driver.
COLORS (Δ)	<ul style="list-style-type: none"> ○ 3 = RAL 9003 white ● 5 = RAL 9005 black ● 6 = RAL 9006 alu
REFLECTOR PLATE	Opal diffuser or acrylic
ADJUSTABLE	No
SIZE	586/867/1148/1429 X 60 X 78MM



PROFILE 6

OPTIONS

COLORS	Available in all RAL colours on request	
	Additional price + 10%	
DIMMABLE	Dimmable DALI on request	€ 60,00
EMERGENCY BALLAST	0187.003.01 - 1 hour	€ 180,00
SUSPENSION SET / WIRES	2 steel wires + power cable	€ 45,00
	length = 1500mm	

INFORMATION

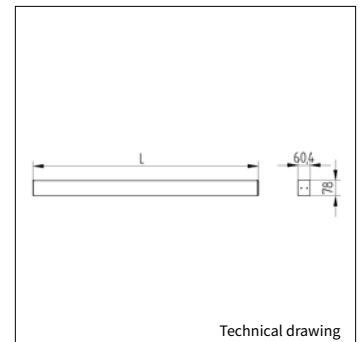
WARRANTY	5 Years
-----------------	---------

Δ see colors

This luminaire can be mounted directly to the ceiling or pendent with steel wires and can be connected to form long LED lighting lines.

We can produce this luminaire in different lengths and shapes on request.

Keylight International reserves the right to modify or change technical, construction or LED specifications due to continuous improvements of our products and lightsources. The light source in this product can be replaced with an equivalent module made by Philips, Osram or Tridonic.



Technical drawing

ART.NR.	LAMP TYPE	BRAND	LUMINOUS FLUX	OUTPUT POWER	MODULE EFFICIENCY	COLOUR TEMPERATURE	CRI	TC LIFETIME	LENGTH
Δ see color									
9113.197.91Δ	Ledline	Philips	2200LM	15W	146LM/W	3000K	>80	50.000 Hrs	586MM
9113.198.91Δ	Ledline	Philips	2200LM	15W	146LM/W	4000K	>80	50.000 Hrs	586MM
9113.295.91Δ	Ledline	Philips	3300LM	23W	143LM/W	3000K	>80	50.000 Hrs	867MM
9113.296.91Δ	Ledline	Philips	3300LM	23W	143LM/W	4000K	>80	50.000 Hrs	867MM
9114.197.91Δ	Ledline	Philips	4400LM	30W	146LM/W	3000K	>80	50.000 Hrs	1148MM
9114.198.91Δ	Ledline	Philips	4400LM	30W	146LM/W	4000K	>80	50.000 Hrs	1148MM
9114.291.91Δ	Ledline	Philips	5500LM	38W	144LM/W	3000K	>80	50.000 Hrs	1429MM
9114.292.91Δ	Ledline	Philips	5500LM	38W	144LM/W	4000K	>80	50.000 Hrs	1429MM
9226.197.91Δ	Ledline	Philips	8000LM	58W	138LM/W	3000K	>80	50.000 Hrs	1148MM
9226.198.91Δ	Ledline	Philips	8000LM	58W	138LM/W	4000K	>80	50.000 Hrs	1148MM
9226.293.91Δ	Ledline	Philips	10.000LM	73W	137LM/W	3000K	>80	50.000 Hrs	1429MM
9226.294.91Δ	Ledline	Philips	10.000LM	73W	137LM/W	4000K	>80	50.000 Hrs	1429MM



PROFILE 6 R

PRODUCT MATERIAL	Aluminium profile
LIGHT SOURCE	Philips Ledline
MODULE LIFETIME	Approx. 50.000 hours
LED COOLING	Passive cooling
DRIVER LEDLINE	Incl. standard xitanium driver.
COLORS (Δ)	<ul style="list-style-type: none"> ○ 3 = RAL 9003 white ● 5 = RAL 9005 black ● 6 = RAL 9006 alu
REFLECTOR PLATE	Opal diffuser / acrylic
ADJUSTABLE	No
SIZE	586/876/1148/1429 X 64 X 78MM

OPTIONS

COLORS	Available in all RAL colours on request	
	Additional price + 10%	
DIMMABLE	Dimmable DALI on request	€ 60,00
EMERGENCY BALLAST	0187.003.01 - 1 hour	€ 180,00

INFORMATION

WARRANTY	5 Years
-----------------	---------

Δ see colors

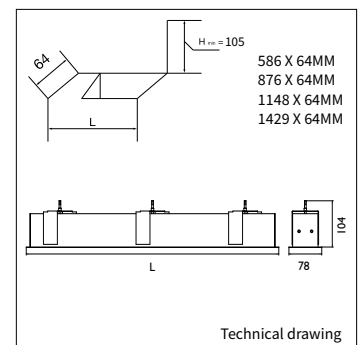
This luminaire can be mounted directly in to the ceiling and can be connected to form long LED lighting lines.

We can produce this luminaire in different lengths and shapes on request.

Keylight International reserves the right to modify or change technical, construction or LED specifications due to continuous improvements of our products and lightsources. The light source in this product can be replaced with an equivalent module made by Philips, Osram or Tridonic.



PROFILE 6 R

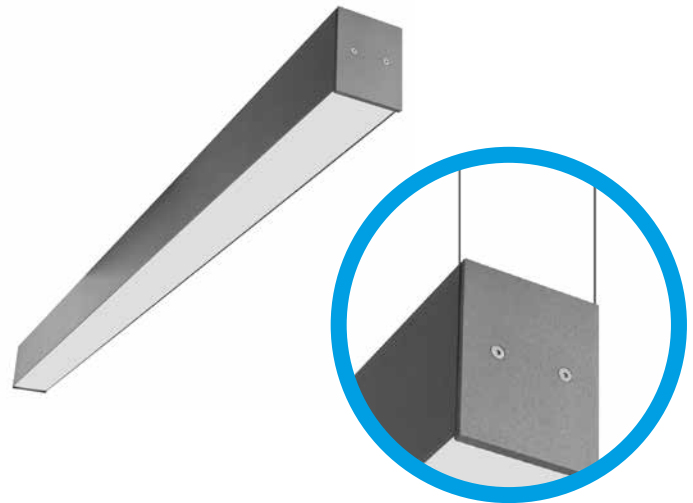


ART.NR.	LAMP TYPE	BRAND	LUMINOUS FLUX	OUTPUT POWER	MODULE EFFICIENCY	COLOUR TEMPERATURE	CRI	TC LIFETIME	LENGTH
Δ see color									
9027.197.91Δ	Ledline	Philips	2200LM	15W	146LM/W	3000K	>80	50.000 Hrs	586MM
9027.198.91Δ	Ledline	Philips	2200LM	15W	146LM/W	4000K	>80	50.000 Hrs	586MM
9027.295.91Δ	Ledline	Philips	3300LM	23W	143LM/W	3000K	>80	50.000 Hrs	867MM
9027.296.91Δ	Ledline	Philips	3300LM	23W	143LM/W	4000K	>80	50.000 Hrs	867MM
9027.197.91Δ	Ledline	Philips	4400LM	30W	146LM/W	3000K	>80	50.000 Hrs	1148MM
9027.198.91Δ	Ledline	Philips	4400LM	30W	146LM/W	4000K	>80	50.000 Hrs	1148MM
9027.291.91Δ	Ledline	Philips	5500LM	38W	144LM/W	3000K	>80	50.000 Hrs	1429MM
9027.292.91Δ	Ledline	Philips	5500LM	38W	144LM/W	4000K	>80	50.000 Hrs	1429MM
9027.197.91Δ	Ledline	Philips	8000LM	58W	138LM/W	3000K	>80	50.000 Hrs	1148MM
9027.198.91Δ	Ledline	Philips	8000LM	58W	138LM/W	4000K	>80	50.000 Hrs	1148MM
9027.293.91Δ	Ledline	Philips	10.000LM	73W	137LM/W	3000K	>80	50.000 Hrs	1429MM
9027.294.91Δ	Ledline	Philips	10.000LM	73W	137LM/W	4000K	>80	50.000 Hrs	1429MM



PROFILE 8

PRODUCT MATERIAL	Aluminium profile
LIGHT SOURCE	Philips Ledline
MODULE LIFETIME	Approx. 50.000 hours
LED COOLING	Passive cooling
DRIVER LEDLINE	Incl. standard xitanium driver.
COLORS (Δ)	○ 3 = RAL 9003 white ● 5 = RAL 9005 black ● 6 = RAL 9006 alu
REFLECTOR PLATE	Opal diffuser or acrylic
ADJUSTABLE	No
SIZE	586/867/1148/1429 X 80 X 76MM



PROFILE 8

OPTIONS

COLORS	Available in all RAL colours on request Additional price + 10%	
DIMMABLE	Dimmable DALI on request	€ 60,00
EMERGENCY BALLAST	0187.003.01 - 1 hour	€ 180,00
SUSPENSION SET / WIRES	2 steel wires + power cable length = 1500mm	€ 45,00

INFORMATION

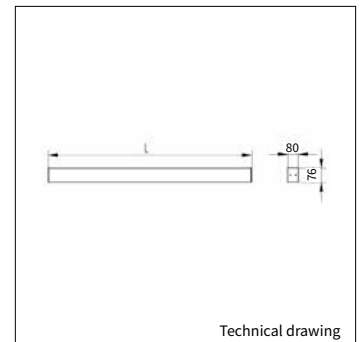
WARRANTY	5 Years
-----------------	---------

Δ see colors

This luminaire can be mounted directly to the ceiling or pendent with steel wires and can be connected to form long LED lighting lines.

We can produce this luminaire in different lengths and shapes on request.

Keylight International reserves the right to modify or change technical, construction or LED specifications due to continuous improvements of our products and lightsources. The light source in this product can be replaced with an equivalent module made by Philips, Osram or Tridonic.



Technical drawing

ART.NR.	LAMP TYPE	BRAND	LUMINOUS FLUX	OUTPUT POWER	MODULE EFFICIENCY	COLOUR TEMPERATURE	CRI	TC LIFETIME	LENGTH
Δ see color									
9015.197.91Δ	Ledline	Philips	2200LM	15W	146LM/W	3000K	>80	50.000 Hrs	586MM
9015.198.91Δ	Ledline	Philips	2200LM	15W	146LM/W	4000K	>80	50.000 Hrs	586MM
9015.295.91Δ	Ledline	Philips	3300LM	23W	143LM/W	3000K	>80	50.000 Hrs	876MM
9015.296.91Δ	Ledline	Philips	3300LM	23W	143LM/W	4000K	>80	50.000 Hrs	876MM
9015.197.91Δ	Ledline	Philips	4400LM	30W	146LM/W	3000K	>80	50.000 Hrs	1148MM
9015.198.91Δ	Ledline	Philips	4400LM	30W	146LM/W	4000K	>80	50.000 Hrs	1148MM
9015.291.91Δ	Ledline	Philips	5500LM	38W	144LM/W	3000K	>80	50.000 Hrs	1429MM
9015.292.91Δ	Ledline	Philips	5500LM	38W	144LM/W	4000K	>80	50.000 Hrs	1429MM
9015.197.91Δ	Ledline	Philips	8000LM	58W	138LM/W	3000K	>80	50.000 Hrs	1429MM
9015.198.91Δ	Ledline	Philips	8000LM	58W	138LM/W	4000K	>80	50.000 Hrs	1429MM
9015.293.91Δ	Ledline	Philips	10.000LM	73W	137LM/W	3000K	>80	50.000 Hrs	1429MM
9015.294.91Δ	Ledline	Philips	10.000LM	73W	137LM/W	4000K	>80	50.000 Hrs	1429MM



PROFILE 8 R

PRODUCT MATERIAL	Aluminium profile
LIGHT SOURCE	Philips Ledline
MODULE LIFETIME	Approx. 50.000 hours
LED COOLING	Passive cooling
DRIVER LEDLINE	Incl. standard xitanium driver.
COLORS (Δ)	<ul style="list-style-type: none"> ○ 3 = RAL 9003 white ● 5 = RAL 9005 black ● 6 = RAL 9006 alu
REFLECTOR PLATE	Opal diffuser / acrylic
ADJUSTABLE	No
SIZE	601/882/1163/1444 X 60.4 X 103MM

OPTIONS

COLORS	Available in all RAL colours on request	
	Additional price + 10%	
DIMMABLE	Dimmable DALI	€ 60,00
EMERGENCY BALLAST	0187.003.01 - 1 hour	€ 180,00

INFORMATION

WARRANTY	5 Years
-----------------	---------

Δ see colors

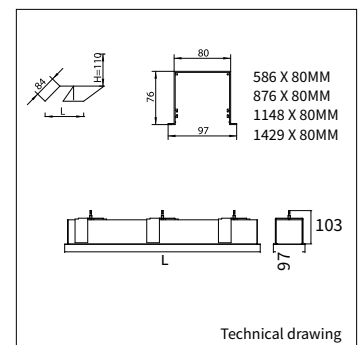
This luminaire can be mounted directly in to the ceiling and can be connected to form long LED lighting lines.

We can produce this luminaire in different lengths and shapes on request.

Keylight International reserves the right to modify or change technical, construction or LED specifications due to continuous improvements of our products and lightsources. The light source in this product can be replaced with an equivalent module made by Philips, Osram or Tridonic.



PROFILE 8 R



ART.NR.	LAMP TYPE	BRAND	LUMINOUS FLUX	OUTPUT POWER	MODULE EFFICIENCY	COLOUR TEMPERATURE	CRI	TC LIFETIME	LENGTH
Δ see color									
9080.197.91Δ	Ledline	Philips	2200LM	15W	146LM/W	3000K	>80	50.000 hrs	586MM
9080.198.91Δ	Ledline	Philips	2200LM	15W	146LM/W	4000K	>80	50.000 hrs	586MM
9080.295.91Δ	Ledline	Philips	3300LM	23W	143LM/W	3000K	>80	50.000 hrs	876MM
9080.296.91Δ	Ledline	Philips	3300LM	23W	143LM/W	4000K	>80	50.000 hrs	876MM
9014.197.91Δ	Ledline	Philips	4400LM	30W	146LM/W	3000K	>80	50.000 hrs	1148MM
9014.198.91Δ	Ledline	Philips	4400LM	30W	146LM/W	4000K	>80	50.000 hrs	1148MM
9014.291.91Δ	Ledline	Philips	5500LM	38W	144LM/W	3000K	>80	50.000 hrs	1429MM
9014.292.91Δ	Ledline	Philips	5500LM	38W	144LM/W	4000K	>80	50.000 hrs	1429MM
9026.197.91Δ	Ledline	Philips	8000LM	58W	138LM/W	3000K	>80	50.000 hrs	1429MM
9026.198.91Δ	Ledline	Philips	8000LM	58W	138LM/W	4000K	>80	50.000 hrs	1429MM
9026.293.91Δ	Ledline	Philips	10.000LM	73W	137LM/W	3000K	>80	50.000 hrs	1429MM
9026.294.91Δ	Ledline	Philips	10.000LM	73W	137LM/W	4000K	>80	50.000 hrs	1429MM



PROFILE 6 W

PRODUCT MATERIAL	Aluminium profile
LIGHT SOURCE	Philips Ledline
MODULE LIFETIME	Approx. 50.000 hours
LED COOLING	Passive cooling
DRIVER LEDLINE	Incl. standard xitanium driver.
COLORS (Δ)	<ul style="list-style-type: none"> ○ 3 = RAL 9003 white ● 5 = RAL 9005 black ● 6 = RAL 9006 alu
REFLECTOR PLATE	Opal diffuser or acrylic
ADJUSTABLE	No
SIZE	1231 X 80 X 110MM

OPTIONS

COLORS	Available in all RAL colours on request	
	Additional price + 10%	
DIMMABLE	Dimmable DALI	€ 60,00

INFORMATION

WARRANTY	5 Years
-----------------	---------

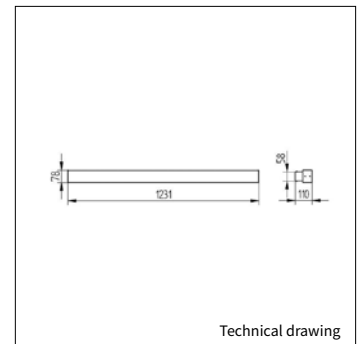
Δ see colors

Wall mounted direct/indirect LED luminaire.

Keylight International reserves the right to modify or change technical, construction or LED specifications due to continuous improvements of our products and lightsources. The light source in this product can be replaced with an equivalent module made by Philips, Osram or Tridonic.



PROFILE 6 W



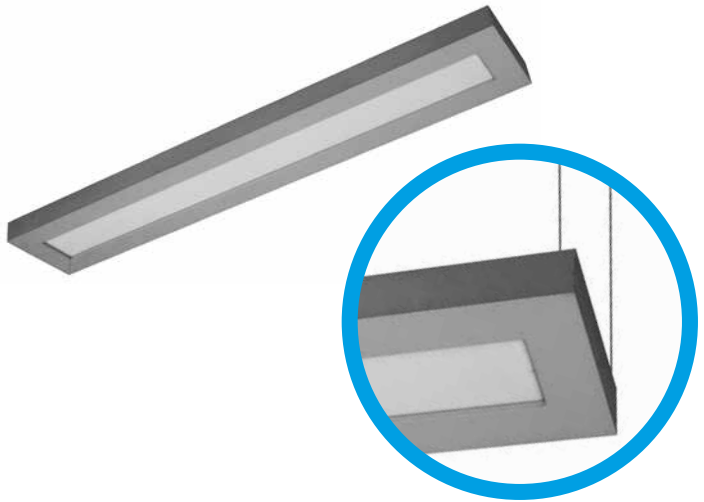
Technical drawing

ART.NR.	LAMP TYPE	BRAND	LUMINOUS FLUX	OUTPUT POWER	MODULE EFFICIENCY	COLOUR TEMPERATURE	CRI	TC LIFETIME	LENGTH
Δ see color									
9016.197.91Δ	Ledline	Philips	2X 2200LM	30W	147LM/W	3000K	>80	50.000 Hrs	1231MM
9016.198.91Δ	Ledline	Philips	2X 2200LM	30W	147LM/W	4000K	>80	50.000 Hrs	1231MM
9017.197.91Δ	Ledline	Philips	2X 4400LM	58W	151LM/W	3000K	>80	50.000 Hrs	1231MM
9017.198.91Δ	Ledline	Philips	2X 4400LM	58W	151LM/W	4000K	>80	50.000 Hrs	1231MM



PROFILE 18 D + 18 ID

PRODUCT MATERIAL	Aluminium profile
LIGHT SOURCE	Philips Ledline
MODULE LIFETIME	Approx. 50.000 hours
LED COOLING	Passive cooling
DRIVER LEDLINE	Incl. standard xitanium driver.
COLORS (Δ)	<ul style="list-style-type: none"> ○ 3 = RAL 9003 white ● 5 = RAL 9005 black ● 6 = RAL 9006 alu
REFLECTOR PLATE	Opal diffuser or acrylic
ADJUSTABLE	No
SIZE	1250 X 175 X 48MM



PROFILE 18 D + 18 ID

OPTIONS

COLORS	Available in all RAL colours on request	
	Additional price + 10%	
DIMMABLE	Dimmable DALI	€ 60,00
EMERGENCY BALLAST	0187.003.01 - 1 hour	€ 180,00
SUSPENSION / WIRES	2 steel wires + power cable	€ 45,00
	length = 1500mm	

INFORMATION

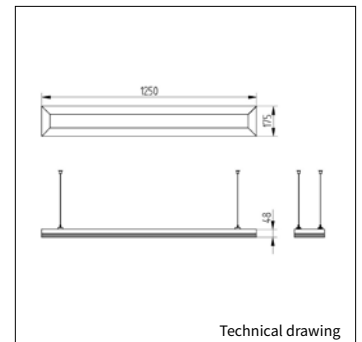
WARRANTY ▶ 5 Years

Δ see colors

18D = PENDENT DIRECT LED LUMINAIRE
18ID = PENDENT INDIRECT LED LUMINAIRE

This luminaire can be mounted directly to the ceiling or pendent with steel wires and can be connected to form long LED lighting lines. We can produce this luminaire in different lengths and shapes on request.

Standard length of suspension set: 1.5m.



Technical drawing

Keylight International reserves the right to modify or change technical, construction or LED specifications due to continuous improvements of our products and light sources. The light source in this product can be replaced with an equivalent module made by Philips, Osram or Tridonic.

ART.NR.	LAMP TYPE	BRAND	LUMINOUS FLUX	OUTPUT POWER	MODULE EFFICIENCY	COLOUR TEMPERATURE	CRI	TC LIFETIME
PROFILE 18D Δ see color								
9250.197.90Δ	Ledline	Philips	4400LM	30W	147LM/W	3000K	>80	50.000 Hrs -
9250.198.90Δ	Ledline	Philips	4400LM	30W	147LM/W	4000KK	>80	50.000 Hrs -
9251.197.90Δ	Ledline	Philips	8000LM	58W	151LM/W	3000	>80	50.000 Hrs -
9250.198.90Δ	Ledline	Philips	8000LM	58W	151LM/W	4000K	>80	50.000 Hrs -

ART.NR.	LAMP TYPE	BRAND	LUMINOUS FLUX	OUTPUT POWER	MODULE EFFICIENCY	COLOUR TEMPERATURE	CRI	TC LIFETIME
PROFILE 18ID Δ see color								
9253.197.90Δ	Ledline	Philips	4400LM	30W	147LM/W	3000K	>80	50.000 Hrs -
9253.198.90Δ	Ledline	Philips	4400LM	30W	147LM/W	4000K	>80	50.000 Hrs -
9254.197.90Δ	Ledline	Philips	8000LM	58W	151LM/W	3000K	>80	50.000 Hrs -
9254.198.90Δ	Ledline	Philips	8000LM	58W	151LM/W	4000K	>80	50.000 Hrs -

LINEAR LINE

NEW



PRODUCT INFORMATION

Our linear line lighting system offers an endless combination of linear lighting for every application. With a non-shadow and multi-lighting distribution, the system can be used in many different areas where a high lighting output is needed. Easy installation and maintenance of led modules and joints, without the help of tools makes this system the perfect solution for any application. The combiline is available with a lumen-watt efficiency up to 130 and a variety of dimming option, like 1-10v and DALI. This system comes with a standard warranty of 5 years. Our Linear Line systems are available in black or white.



ARTICLE NO.	DESCRIPTION	DRIVER	WIRES	DESCRIPTION	COLOR Δ
9201.500.99.Δ	Linear Trunk 1150mm	Incl. driver *	5	For non-dimmable version	5 = Black / 3 = White
9201.700.99.Δ	Linear Trunk 1150mm	Incl. driver *	7	For dimmable version	5 = Black / 3 = White
9202.500.99.Δ	Linear Trunk 1437mm	Incl. driver *	5	For non-dimmable version	5 = Black / 3 = White
9202.700.99.Δ	Linear Trunk 1437mm	Incl. driver *	7	For dimmable version	5 = Black / 3 = White
9230.500.99.Δ	Linear Trunk 2874mm	Incl. driver *	5	For non-dimmable version	5 = Black / 3 = White
9230.700.99.Δ	Linear Trunk 2874mm	Incl. driver *	7	For dimmable version	5 = Black / 3 = White

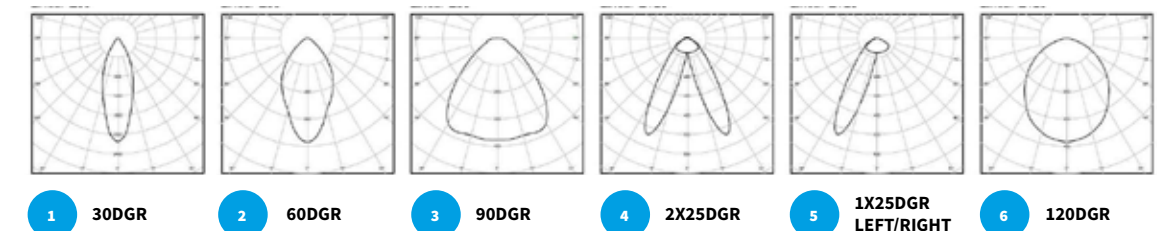
ARTICLE NO.	DESCRIPTION	DIM	OUTPUT POWER	LUMEN	MODULE EFFICIENCY	COLOUR TEMPERATURE	CRI	POWER FACTOR
9203.500.00.*	Linear LED Module for trunk 1150mm	Non-dim	48W	6700LM	140LM/W	3000K	83	>0,9
9203.700.10.*	Linear LED Module for trunk 1150mm	0-10v	48W	6700LM	140LM/W	3000K	83	>0,9
9203.700.20.*	Linear LED Module for trunk 1150mm	DALI	48W	6700LM	140LM/W	3000K	83	>0,9
9204.500.00.*	Linear LED Module for trunk 1150mm	Non-dim	48W	6700LM	140LM/W	4000K	83	>0,9
9204.700.10.*	Linear LED Module for trunk 1150mm	0-10v	48W	6700LM	140LM/W	4000K	83	>0,9
9204.700.20.*	Linear LED Module for trunk 1150mm	DALI	48W	6700LM	140LM/W	4000K	83	>0,9
9205.500.00.*	Linear LED Module for trunk 1150mm	Non-dim	48W	6700LM	140LM/W	6000K	83	>0,9
9205.700.10.*	Linear LED Module for trunk 1150mm	0-10v	48W	6700LM	140LM/W	6000K	83	>0,9
9205.700.20.*	Linear LED Module for trunk 1150mm	DALI	48W	6700LM	140LM/W	6000K	83	>0,9
9206.500.00.*	Linear LED Module for trunk 1437mm	Non-dim	72W	9700LM	135LM/W	3000K	83	>0,9
9206.700.10.*	Linear LED Module for trunk 1437mm	0-10v	72W	9700LM	135LM/W	3000K	83	>0,9
9206.700.20.*	Linear LED Module for trunk 1437mm	DALI	72W	9700LM	135LM/W	3000K	83	>0,9
9207.500.00.*	Linear LED Module for trunk 1437mm	Non-dim	72W	9700LM	135LM/W	4000K	83	>0,9
9207.700.10.*	Linear LED Module for trunk 1437mm	0-10v	72W	9700LM	135LM/W	4000K	83	>0,9
9207.700.20.*	Linear LED Module for trunk 1437mm	DALI	72W	9700LM	135LM/W	4000K	83	>0,9
9208.500.00.*	Linear LED Module for trunk 1437mm	Non-dim	72W	9700LM	135LM/W	6000K	83	>0,9
9208.700.10.*	Linear LED Module for trunk 1437mm	0-10v	72W	9700LM	135LM/W	6000K	83	>0,9
9208.700.20.*	Linear LED Module for trunk 1437mm	DALI	72W	9700LM	135LM/W	6000K	83	>0,9

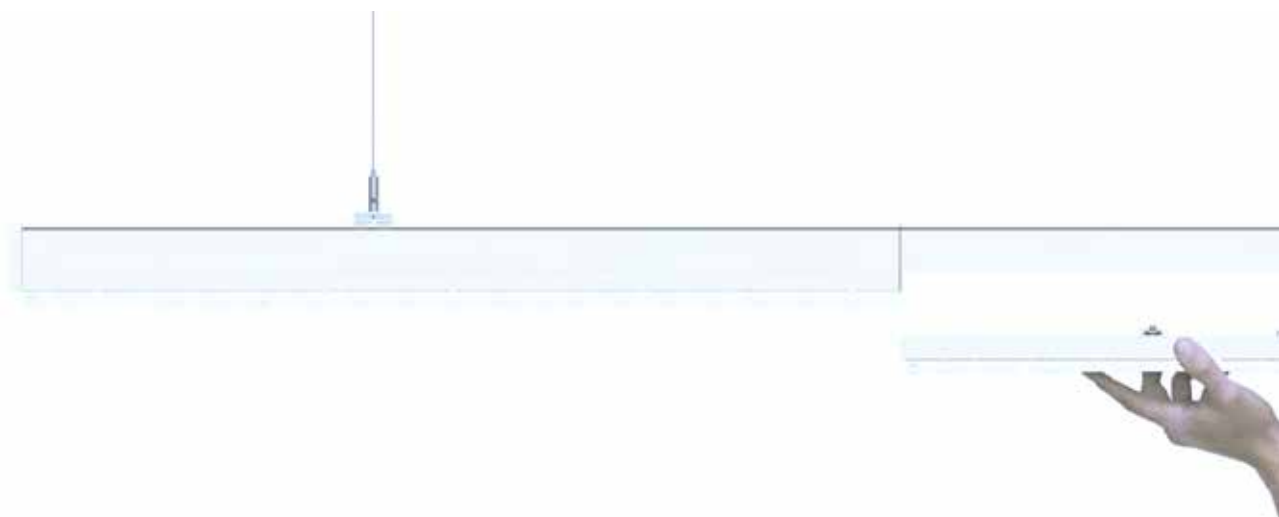


9209.510.03.*	Linear LED EM Module for trunk 1437mm	Non-dim	72W	9700LM	135LM/W	3/4/6000K	83	>0,9
9209.710.03.*	Linear LED EM Module for trunk 1437mm	0-10v	72W	9700LM	135LM/W	3/4/6000K	83	>0,9
9209.710.30.*	Linear LED EM Module for trunk 1437mm	DALI	72W	9700LM	135LM/W	3/4/6000K	83	>0,9



*** Additional price for Philips Xitanium driver. 1150mm + 1437mm: Non-dim € 25,00, 1-10v € 65,00, DALI € 65,00.**





ARTICLE NO. Δ see colors	LENGTH	DESCRIPTION	COLOR
9210.115.99.3	Linear Trunk 1150mm	Aluminium cover	5 Black / 3 White
9211.143.99.3	Linear Trunk 1437mm	Aluminium cover	5 Black / 3 White



ARTICLE NO. Δ see colors	DESCRIPTION	WIRES	COLOR
9212.500.00.3	Terminal Feed-in box	5	5 Black / 3 White
9212.700.00.3	Terminal Feed-in box	7	5 Black / 3 White



ARTICLE NO. Δ see colors	DESCRIPTION	WIRES	DIRECTION	COLOR
9213.501.00.Δ	L Connector	5	Left	5 Black / 3 White
9213.502.00.Δ	L Connector	5	Right	5 Black / 3 White
9213.701.00.Δ	L Connector	7	Left	5 Black / 3 White
9213.702.00.Δ	L Connector	7	Right	5 Black / 3 White



ARTICLE NO. Δ see colors	DESCRIPTION	WIRES	DESCRIPTION	COLOR
9214.501.00.Δ	T Connector	5	Male/female will be specified in the order process	5 Black / 3 White
9214.701.00.Δ	T Connector	7	Male/female will be specified in the order process	5 Black / 3 White



ARTICLE NO. Δ see colors	DESCRIPTION	WIRES	DESCRIPTION	COLOR
9215.501.00.Δ	T Connector	5	Male/female will be specified in the order process	5 Black / 3 White
9215.701.00.Δ	T Connector	7	Male/female will be specified in the order process	5 Black / 3 White



ARTICLE NO. Δ see colors	DESCRIPTION	COLOR
9212.001.00.Δ	Input cable protector	5 Black / 3 White



ARTICLE NO. Δ see colors	DESCRIPTION	COLOR
9212.003.00.Δ	End-cap	5 Black / 3 White



ARTICLE NO.	DESCRIPTION	COLOR
9212.004.00.0	Surface ceiling fixing clip (1 clip per 2.3 meter)	Steel



ARTICLE NO.	DESCRIPTION	COLOR
9212.005.00.0	Steel cable suspension kit (1 kit per 2.3 meter)	Steel



ARTICLE NO.	DESCRIPTION	COLOR
9212.006.00.0	Chain suspension kit (1 chain per 2.3 meter)	Steel



STRIPES & LEDLINES







ARTICLE NO.	DESCRIPTION	VOLT	WATT	TEMP	LUMEN PER 1M	LENGTH	WIDTH	CRI
STRIPE 30 (ECO)								
0220.999.99.0	Stripe ECO 30 LED's p/meter	24V	36W	± 2800K	540LM	5M	10MM	>80
0221.999.99.0	Stripe ECO 30 LED's p/meter	24V	36W	± 3000K	540LM	5M	10MM	>80
0222.999.99.0	Stripe ECO 30 LED's p/meter	24V	36W	± 4500K	540LM	5M	10MM	>80
0223.999.99.0	Stripe ECO 30 LED's p/meter IP68	24V	36W	± 2800K	540LM	5M	12MM	>80
0224.999.99.0	Stripe ECO 30 LED's p/meter	24V	36W	RGB	600LM	5M	12MM	>80
0225.999.99.0	Stripe ECO 30 LED's p/meter IP68	24V	36W	RGB	600LM	5M	12MM	>80



ARTICLE NO.	DESCRIPTION	VOLT	WATT	TEMP	LUMEN PER 1M	LENGTH	WIDTH	CRI
STRIPE 60								
0301.999.99.0	Stripe 60 LED's p/meter	24V	72W	± 2800K	1080LM	5M	12MM	>80
0302.999.99.0	Stripe 60 LED's p/meter	24V	72W	± 3000K	1080LM	5M	12MM	>80
0303.999.99.0	Stripe 60 LED's p/meter	24V	72W	± 4500K	1080LM	5M	12MM	>80
0304.700.99.0	Stripe 60 LED's p/meter	24V	72W	± 6500K	1080LM	5M	12MM	>80
0304.999.99.0	Stripe 60 LED's p/meter IP68	24V	72W	± 2800K	1080LM	5	12MM	>80
0305.999.99.0	Stripe 60 LED's p/meter IP68	24V	72W	± 3000K	1080LM	5	15MM	>80
0306.999.99.0	Stripe 60 LED's p/meter	24V	72W	RGB	240LM	5M	12MM	>80
0307.999.99.0	Stripe 60 LED's p/meter IP68	24V	72W	RGB	240LM	5M	15MM	>80
0308.280.72.0	Stripe 60 LED's p/meter RGBW	24V	72W	RGBW + 2800K	1200LM	5M	12MM	>80
0308.450.72.0	Stripe 60 LED's p/meter RGBW	24V	72W	RGBW + 4500K	1200LM	5M	12MM	>80



ARTICLE NO.	DESCRIPTION	VOLT	WATT	TEMP	LUMEN PER 5M	LENGTH	WIDTH	CRI
STRIPE 120								
0216.240.48.0	Stripe 120 LED's p/meter	24V	48W	± 2400K	840LM	5M	8MM	>90
0216.280.48.0	Stripe 120 LED's p/meter	24V	48W	± 2800K	840LM	5M	8MM	>90
0216.300.48.0	Stripe 120 LED's p/meter	24V	48W	± 3000K	840LM	5M	8MM	>90
0216.450.48.0	Stripe 120 LED's p/meter	24V	48W	± 4500K	840LM	5M	8MM	>90
0216.243.48.0	Stripe 120 LED's p/meter Colormix	24V	48W	± 2400/3000K	840LM	5M	8MM	>90
0216.244.48.0	Stripe 120 LED's p/meter Colormix	24V	48W	± 2400/6000K	840LM	5M	8MM	>90



ARTICLE NO.	DESCRIPTION	VOLT	WATT	TEMP	LUMEN PER 5M	LENGTH	WIDTH	CRI
STRIPE 240								
0216.240.96.0	Stripe 240 LED's p/meter	24V	96W	± 2400K	1680LM	5M	10MM	>90
0216.280.96.0	Stripe 240 LED's p/meter	24V	96W	± 2800K	1680LM	5M	10MM	>90
0216.300.96.0	Stripe 240 LED's p/meter	24V	96W	± 3000K	1680LM	5M	10MM	>90
0216.450.96.0	Stripe 240 LED's p/meter	24V	96W	± 4500K	1680LM	5M	10MM	>90
0216.243.96.0	Stripe 240 LED's p/meter Colormix	24V	96W	± 2400/3000K	1680LM	5M	10MM	>90
0216.244.96.0	Stripe 240 LED's p/meter Colormix	24V	96W	± 2400/6000K	1680LM	5M	10MM	>90



ARTICLE NO.	DESCRIPTION	VOLT	WATT	TEMP	LUMEN PER 1M	LENGTH	WIDTH	CRI
STRIPE 300								
0216.300.12.0	Stripe 300 LED's p/meter	24V	120W	± 3000K	10500LM	5M	10MM	>90
0216.450.12.0	Stripe 300 LED's p/meter	24V	120W	± 4500K	10500LM	5M	10MM	>90

Cutting lengths: STRIPE 300 16,50 cm - Stripe ECO 10 cm - RGB-W cut by 3 LED's. For full warranty of 3 years, use the Keylight LED'S drivers!



ARTICLE NO.	DESCRIPTION	PROFILE	COVER	INNER WIDTH	SIZE
7MM					
0607.999.91.6	LEDLINE 7mm	Aluminium anodized		12.2	2000 X 17.5 X 7
0600.101.07.0	Cover		Clear		2000
0600.150.07.0	Cover		50% Opal		2000
0600.100.07.0	Cover		100% Opal		2000
Accessories					
0707.999.99.6	Endcap with cablehole				
0770.999.99.6	Encap w/o cablehole				
0777.999.99.6	Mounting brackets				



ARTICLE NO.	DESCRIPTION	PROFILE	COVER	INNER WIDTH	SIZE
7MM RECESSED					
0677.999.91.6	LEDLINE 7mm	Aluminium anodized		12.2	2000 X 17.5 X 7
0600.101.07.0	Cover		Clear		2000
0600.150.07.0	Cover		50% Opal		2000
0600.100.07.0	Cover		100% Opal		2000
Accessories					
0701.999.99.6	Endcap with cablehole				
0772.999.99.6	Encap w/o cablehole				



ARTICLE NO.	DESCRIPTION	PROFILE	COVER	INNER WIDTH	SIZE
15MM					
0615.000.00.6	LEDLINE 15mm	Aluminium anodized		12.2	2000 X 17.5 X 15
0600.101.15.0	Cover		Clear		2000
0600.150.15.0	Cover		50% Opal		2000
0600.100.15.0	Cover		100% Opal		2000
Accessories					
0765.999.99.6	Endcap with cablehole				
0756.999.99.6	Encap w/o cablehole				
0750.999.99.6	Mounting brackets				



ARTICLE NO.	DESCRIPTION	PROFILE	COVER	INNER WIDTH	SIZE
15MM RECESSED					
0651.000.00.6	LEDLINE R 15mm	Aluminium anodized		12.2	2000 X 24.5 X 15
0600.101.15.0	Cover		Clear		2000
0600.150.15.0	Cover		50% Opal		2000
0600.100.15.0	Cover		100% Opal		2000
Accessories					
0715.999.99.6	Endcap with cablehole				
0751.999.99.6	Encap w/o cablehole				



ARTICLE NO.	DESCRIPTION	PROFILE	COVER	SIZE
16MM				
0616.000.00.6	LEDLINE base 16mm	Aluminium anodized	Insert plate and Lens, 10/60dgr, clear	2000
Accessories				
0716.999.99.6	Endcap with cablehole			
0716.901.99.6	Endcap without cablehole			
0778.999.99.6	Mounting bracket			



ARTICLE NO.	DESCRIPTION	PROFILE	COVER	INNER WIDTH	SIZE
W8					
0608.999.91.6	LEDLINE W8	Aluminium anodized	Clear	18	2000 X 22,5 X 8
0608.999.90.6	LEDLINE W8	Aluminium anodized	100% frosted	18	2000 X 22,5 X 8
0780.999.99.6	End cap	With cable hole			
0708.999.99.6	End cap	Without cable hole			
0788.999.99.6	Bracket	Mounting bracket			



ARTICLE NO.	DESCRIPTION	PROFILE	COVER	INNER WIDTH	SIZE
45° CORNER					
0618.000.00.6	LEDLINE 45°	Aluminium anodized		12.2	2000 X 18.5 X 18,5
0600.101.00.0	Cover		Clear		2000
0600.150.00.0	Cover		50% Opal		2000
0600.100.00.0	Cover		100% Opal		2000

Accessories					
0745.999.99.6	Endcap with cablehole				
0754.999.99.6	Encap w/o cablehole				
0746.999.99.6	Mounting brackets				



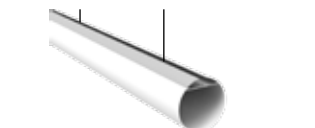
ARTICLE NO.	DESCRIPTION	PROFILE	COVER	INNER WIDTH	SIZE
45° CORNER XL					
0631.000.00.6	Corner XL	Aluminium anodized	Incl. Opal	12.2	3000 X 30 X 30

Accessories					
0731.901.99.6	Endcap with cablehole				
0731.902.99.6	Encap w/o cablehole				
0731.000.00.6	Mounting brackets				



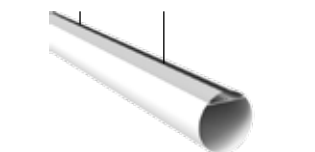
ARTICLE NO.	DESCRIPTION	PROFILE	COVER	INNER WIDTH	SIZE
LEDLINE ROUND					
0681.000.00.6	LEDLINE Round	Aluminium anodized		11,2	2000 X Ø18MM
0600.681.00.0	Cover		50% Opal		2000
0681.682.00.0	Cover		100% Opal		2000

Accessories					
0781.901.99.6	Endcap with cablehole				
0781.902.99.6	Endcap without cablehole				
0781.000.00.6	Mounting bracket				



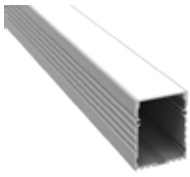
ARTICLE NO.	DESCRIPTION	PROFILE	COVER	INNER WIDTH	SIZE
TUBE PENDEL 30					
0631.000.00.6	Pendel 30	Aluminium anodized	Incl. Opal	12.2	3000 X Ø30MM

Accessories					
0730.901.99.6	Endcap with cablehole				
0730.902.99.6	Encap w/o cablehole				
0730.200.00.6	Suspension kit 2x 2000mm				



ARTICLE NO.	DESCRIPTION	PROFILE	COVER	INNER WIDTH	SIZE
TUBE PENDEL 60					
0658.000.00.6	Pendel 60	Aluminium anodized	Incl. Opal	12.2	3000 X Ø60MM

Accessories					
0758.901.00.6	Endcap with cablehole				
0758.902.00.6	Encap w/o cablehole				
0758.200.00.6	Suspension kit 2x 2000mm				



ARTICLE NO.	DESCRIPTION	PROFILE	COVER	INNER WIDTH	SIZE
PROFILE 35					
0635.000.00.6	Profile 35mm	Aluminium anodized	Incl. Opal		3000 X 35 X 35
Accessories					
0735.901.99.6	Endcap with cablehole				
0735.902.99.6	Encap w/o cablehole				



ARTICLE NO.	DESCRIPTION	PROFILE	COVER	INNER WIDTH	SIZE
PROFILE 68					
0668.000.00.6	Profile 68mm	Aluminium anodized	Incl. Opal		3000 X 68 X 35
Accessories					
0768.901.99.6	Endcap with cablehole				
0768.902.99.6	Encap w/o cablehole				
0768.200.00.6	Suspension kit 2x 200mm				



ARTICLE NO.	DESCRIPTION	PROFILE	COVER	INNER WIDTH	SIZE
STAIR					
0666.999.91.6	LEDLINE STAIR 45°	Aluminium anodized	Clear	12,2	2000 X 66,9 X 27,3
0666.999.90.6	LEDLINE STAIR 45°	Aluminium anodized	100% frosted	12,2	2000 X 66,9 X 27,3
0766.999.99.6	End cap	Aluminium grey			



ARTICLE NO.	DESCRIPTION	PROFILE	COVER	INNER WIDTH	SIZE
WALL					
0667.999.91.6	LEDLINE WALL	Aluminium anodized	Clear	12,2	2000 X 26,2 X 70
0667.999.90.6	LEDLINE WALL	Aluminium anodized	100% frosted	12,2	2000 X 26,2 X 70
0767.999.99.6	End cap	Aluminium grey			



ARTICLE NO.	DESCRIPTION	PROFILE	COVER	INNER WIDTH	SIZE
FLAT					
0673.999.91.6	LEDLINE FLAT	Aluminium anodized	Clear	12,2	2000 X 52,3 X 7,63
0673.999.90.6	LEDLINE FLAT	Aluminium anodized	100% frosted	12,2	2000 X 52,3 X 7,63
0734.999.99.6	End cap	With cable hole			
0733.999.99.6	End cap	Without cable hole			

The profile with choice of frosted diffuser is “LEDs DOTS FREE” and deliver soft smooth light on the whole surface.

The profile can accommodate standard led stripes up to 12mm of the wideness. It is quality and contemporary design which fits in many places.

Ledline is made from anodized aluminum with choice of high quality frosted (“LEDs DOTS FREE”), 50% frosted or transparent snap-in diffuser and matching end caps.

The snap-in diffuser is made from UV resistant material and it is damage resistant (walk over safe).

The aluminum profile is performing as the heat sink to the LEDs and also presents itself as nice, stylish housing where all components are matching and are high quality

Technical drawings whit measurements and mounting instructions are available on request.

EMERGENCY LUMINAIRES



Em



ESCAPE EXIT
PAGE 260



ESCAPE SQUARE
PAGE 261



ESCAPE DOWN R
PAGE 262



ESCAPE R MINI
PAGE 263

INTERIOR **EMERGENCY LUMINAIRES**

ESCAPE DOWN R	PAGE 262
ESCAPE EXIT	PAGE 260
ESCAPE SQUARE	PAGE 261
ESCAPE R MINI	PAGE 263



ESCAPE EXIT

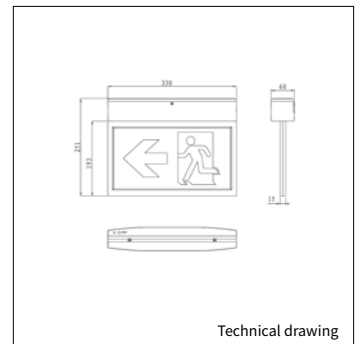
PRODUCT MATERIAL	Aluminium
PANEL	Acrylic board with imprinted dot-matrix lens diffusion.
LIGHTSOURCE	SMD 3528 - 14PCS
LED COOLING	Passive cooling
COLORS (Δ)	3 = RAL 9003 white
VIEWING ANGLE	30M
SIZE	330 X 251 X 15MM

INFORMATION

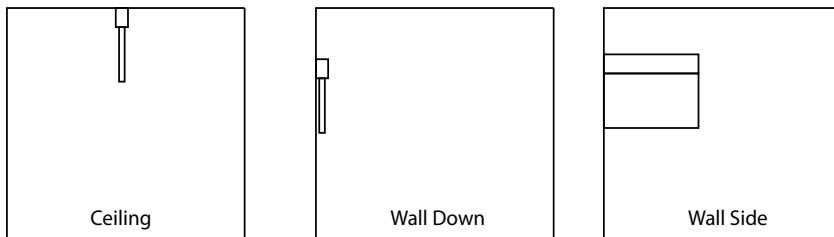
MOUNTING OPTIONS	Wall surface Ceiling Side
PICTOGRAMS (INCL.)	<div style="display: flex; align-items: center;"> <div style="border: 1px solid black; width: 30px; height: 20px; margin-right: 5px;"></div> <div>1x Blanc</div> </div> <div style="display: flex; align-items: center; margin-top: 5px;"> <div style="border: 1px solid black; width: 30px; height: 20px; position: relative; margin-right: 5px;"> </div> <div>2x arrow up</div> </div> <div style="display: flex; align-items: center; margin-top: 5px;"> <div style="border: 1px solid black; width: 30px; height: 20px; position: relative; margin-right: 5px;"> </div> <div>2x arrow left/right</div> </div>
EMERGENCY BATTERY	Including sealed nickel-cadmium rechargeable battery pack (1Hr.)
AUTO MAINTENANCE	Once the unit is powered up it will automatically initiate a self test and diagnostics. Detailed specifications on request.
E N STANDARD	On request



ESCAPE EXIT



Keylight International reserves the right to modify or change technical, construction or LED specifications due to continuous improvements of our products and lightsources.



mounting possibilities

Em

ART.NR.	LAMP TYPE	LIGHT OUTPUT	EMERGENCY LUMEN OUTPUT	MODULE POWER	BATTERY CHARGE DURATION	BATTERY LIFETIME WHEN DISCONNECTED	BATTERY	VIEWING DISTANCE
0551.999.50.3	SMD LED 3528	50LM	8.86LM	4W	24 Hrs	1 Hr	Ni_Cd 3.6v 800mA	30M



ESCAPE SQUARE

PRODUCT MATERIAL	Thermoplastic housing
LIGHTSOURCE	LED
LED COOLING	Passive cooling
COLORS (Δ)	3 = RAL 9003 white
VIEWING ANGLE	Open area
SIZE	140 X 125 X 38MM

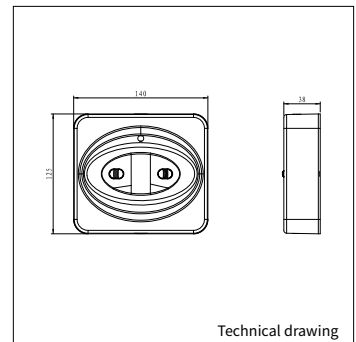
INFORMATION

COLOUR TEMP.	6000K
MOUNTING OPTIONS	Wall / surface / 3F railsystem
MAINTENANT	Non-maintenant
AUTO TEST	Yes
EMERGENCY BATTERY	Including sealed nickel-cadmium rechargeable battery pack (1Hr.)
E N STANDARD	On request



Keylight International reserves the right to modify or change technical, construction or LED specifications due to continuous improvements of our products and lightsources.

ESCAPE SQUARE



ART.NR.	LAMP TYPE	LIGHT OUTPUT	EMERGENCY LUMEN OUTPUT	MODULE POWER	BATTERY CHARGE DURATION	BATTERY LIFETIME WHEN DISCONNECTED	BATTERY	VIEWING DISTANCE
0554.999.18.3	LED	180LM	1Hrs / 180LM	2 X 3W	24 Hrs	1 Hr	Ni_Cd 7.2v 800mA	Escape Route
0554.300.33.3	LED (3 phase)	180LM	1Hrs / 180LM	2 X 3W	24 Hrs	1 Hr	Ni_Cd 7.2v 800mA	Escape Route



ESCAPE DOWN R

PRODUCT MATERIAL	Thermoplastic housing
LIGHTSOURCE	LED
LED COOLING	Passive cooling
COLORS (Δ)	○ 3 = RAL 9003 white
VIEWING ANGLE	Open Area
SIZE	125 X 62MM

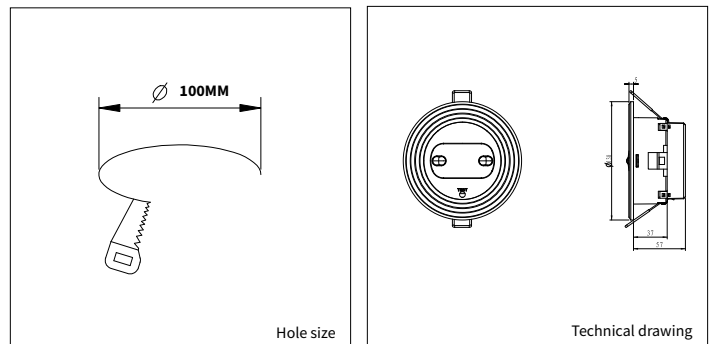
INFORMATION

COLOUR TEMP.	6000K
MOUNTING OPTIONS	Recessed round
MAINTENANT	Non-maintenant
AUTO TEST	Yes
EMERGENCY BATTERY	Including sealed nickel-cadmium rechargeable battery pack (1Hr.)
E N STANDARD	On request



Keylight International reserves the right to modify or change technical, construction or LED specifications due to continuous improvements of our products and lightsources.

ESCAPE DOWN R



ART.NR.	LAMP TYPE	LIGHT OUTPUT	EMERGENCY LUMEN OUTPUT	MODULE POWER	BATTERY CHARGE DURATION	BATTERY LIFETIME WHEN DISCONNECTED	BATTERY	VIEWING DISTANCE
0552.999.18.3	LED	180LM	1Hrs / 180LM	2 X 3W	24 Hrs	1 Hr	Ni_Cd 7.2v 800mA	Escape Route



ESCAPE MINI DOWN

PRODUCT MATERIAL	Aluminium
LIGHTSOURCE	Cree XT-E
LED COOLING	Passive cooling
COLOR	○ 3 = RAL 9003 white
VIEWING ANGLE	Escape Route
SIZE	55MM / 2x 196 x 133mm
CUT OUT SIZE	40MM

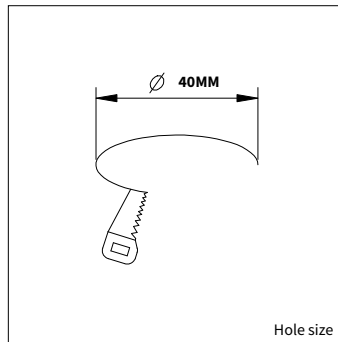
INFORMATION

COLOUR TEMP.	6000K
MOUNTING OPTIONS	Recessed round
MAINTENANT	Non-maintenant
AUTO TEST	Yes, autotesting operation on request
EMERGENCY BATTERY	Including sealed nickel-cadmium rechargeable battery pack (1Hr.)
DALI	Suitable for DALI
E N STANDARD	On request

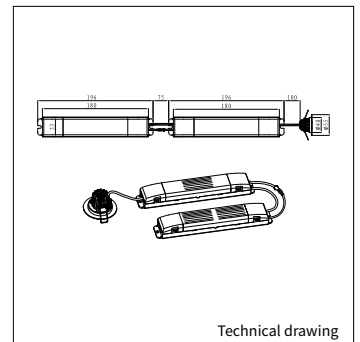
Keylight International reserves the right to modify or change technical, construction or LED specifications due to continuous improvements of our products and lightsources.



ESCAPE MINI DOWN



Hole size



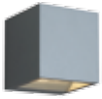
Technical drawing



ART.NR.	LAMP TYPE	LIGHT OUTPUT	EMERGENCY LUMEN OUTPUT	MODULE POWER	BATTERY CHARGE DURATION	BATTERY LIFETIME WHEN DISCONNECTED	BATTERY	VIEWING DISTANCE
0553.999.15.3	Cree XT-E	150LM	1Hrs / 180LM	5W	24 Hrs	1 Hr	Ni_Cd 3.6v 800mA	Escape Route

WALL LUMINAIRES





BLOCK 10
PAGE 266



BLOCK 6 UD
PAGE 267



BLOCK O
PAGE 268



BLOCK C UD
PAGE 269



SLOPE
PAGE 270



BOLTRI
PAGE 271



STYLO
PAGE 272



WALL 10 UD
PAGE 273



WALL 14
PAGE 274



WALL 17
PAGE 275



BIG WALL
PAGE 276



ATIM
PAGE 277



SATURNUS IP
PAGE 278



STERLING
PAGE 279

EXTERIOR WALL LUMINAIRES

ATIM	PAGE 277
BIG WALL	PAGE 276
BLOCK 10	PAGE 266
BLOCK 6 UD	PAGE 267
BLOCK C UD	PAGE 269
BLOCK O	PAGE 268
BOLTRI	PAGE 271
SATURNUS IP	PAGE 278
SLOPE	PAGE 270
STERLING	PAGE 279
STYLO	PAGE 272
WALL 10 UD	PAGE 273
WALL 14	PAGE 274
WALL 17	PAGE 275



BLOCK 10

PRODUCT MATERIAL	Die-cast aluminium
LIGHT SOURCE	Bridgelux V8
MODULE LIFETIME	Approx. 30.000 hours
LED COOLING	Passive cooling
DRIVER	Incl. driver.
COLORS (Δ)	○ 3 = RAL 9003 white ● 5 = RAL 9005 black ● 9 = Grey
SIZE	102 X 105 102MM



OPTIONS

DIMMABLE	Phase-cut dimmable	€ 55,00
	art. no.: 0117.350.10.0	

INFORMATION

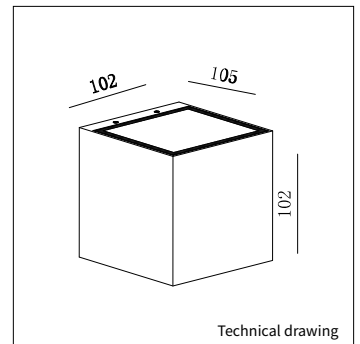
WARRANTY	2 Years
-----------------	---------

Δ = product color code. See colors

up/dn including 2x IP65 glass cover

Keylight International reserves the right to modify or change technical, construction or LED specifications due to continuous improvements of our products and lightsources.

BLOCK 10



ART.NR.	LAMP TYPE	BRAND	LUMINOUS FLUX	OUTPUT POWER	MODULE EFFICIENCY	COLOUR TEMPERATURE	CRI	TC LIFETIME	mA
Δ see color									
6017.990.99Δ	V8 Array	Bridgelux	565LM	6.2W	91LM/W	2700K	>80	30.000 Hrs	350



BLOCK 6 UD

PRODUCT MATERIAL	Die-cast aluminium
LIGHT SOURCE	Bridgelux V6
MODULE LIFETIME	Approx. 30.000 hours
LED COOLING	Passive cooling
DRIVER	Incl. driver.
COLORS (Δ)	● 5 = RAL 9005 black ● 9 = Grey
SIZE	105 X 125 X 60MM
BEAM ANGLE	



OPTIONS

DIMMABLE	Phase-cut dimmable	€ 55,00
	art. no.: 0117.500.10.0	

INFORMATION

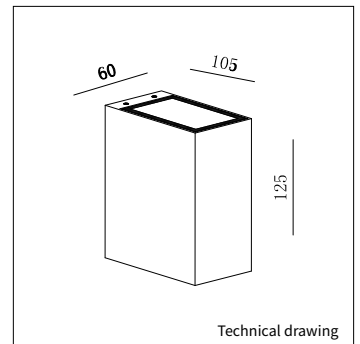
WARRANTY	2 Years
-----------------	---------

Δ = product color code. See colors

up/dn including 2x IP65 glass cover

Keylight International reserves the right to modify or change technical, construction or LED specifications due to continuous improvements of our products and lightsources.

BLOCK 6 UD



ART.NR.	LAMP TYPE	BRAND	LUMINOUS FLUX	OUTPUT POWER	MODULE EFFICIENCY	COLOUR TEMPERATURE	CRI	TC LIFETIME	POWER FACTOR
Δ see color									
6018.999.99Δ	V6 Array	Bridgelux	2 X 420LM	2 X 4.6W	104LM/W	2700K	>80	30.000 Hrs	500MA



BLOCK O

PRODUCT MATERIAL	Die-cast aluminium
LIGHT SOURCE	XP-E
MODULE LIFETIME	Approx. 30.000 hours
LED COOLING	Passive cooling
DRIVER	Incl. driver.
COLORS (Δ)	○ 3 = RAL 9003 white ● 5 = RAL 9005 black
BEAM ANGLE	30°
SIZE	80 X 85 X 70MM



OPTIONS

DIMMABLE	Dimmable on request
-----------------	---------------------

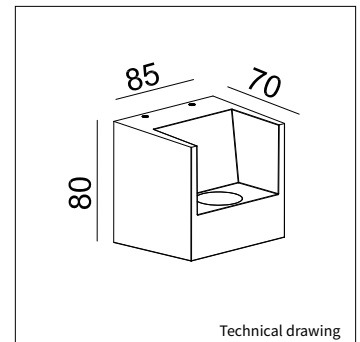
INFORMATION

WARRANTY	2 Years
-----------------	---------

Δ = product color code. See colors

Keylight International reserves the right to modify or change technical, construction or LED specifications due to continuous improvements of our products and lightsources.

BLOCK O



ART.NR.	LAMP TYPE	BRAND	LUMINOUS FLUX	OUTPUT POWER	MODULE EFFICIENCY	COLOUR TEMPERATURE	CRI	TC LIFETIME	mA
Δ see colors									
6800.990.30Δ	XP-E	Cree	280LM	2.5W	112LM/W	2700K	>80	30.000	700



BLOCK C UD

PRODUCT MATERIAL	Die-cast aluminium
LIGHT SOURCE	XP-E
MODULE LIFETIME	Approx. 30.000 hours
LED COOLING	Passive cooling
DRIVER	Incl. driver.
COLORS (Δ)	○ 3 = RAL 9003 white ● 5 = RAL 9005 black
BEAM ANGLE	30°
SIZE	120 X 78 X 70MM



OPTIONS

DIMMABLE	Trailing or leading-edge dimmable 350-700mA 12W (Build-in) art. no.: 0350.700.99.9	€ 55,00
-----------------	--	---------

INFORMATION

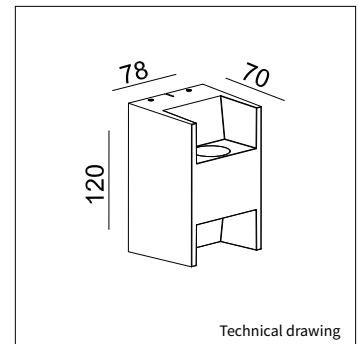
WARRANTY	2 Years
-----------------	---------

Δ = product color code. See colors

Also available as a dimmable version on request (external driver).

Keylight International reserves the right to modify or change technical, construction or LED specifications due to continuous improvements of our products and lightsources.

BLOCK C UD



ART.NR.	LAMP TYPE	BRAND	LUMINOUS FLUX	OUTPUT POWER	MODULE EFFICIENCY	COLOUR TEMPERATURE	CRI	TC LIFETIME	mA
Δ see colors									
6013.990.30.5	XP-E	Cree	280LM	2 X 2.5W	112LM/W	3000K	>80	30.000 Hrs	700
6013.270.30.Δ	XP-E	Cree	280LM	2 X 2.5W	112LM/W	2700K	>80	30.000 Hrs	700



SLOPE

PRODUCT MATERIAL	Aluminium
LIGHT SOURCE	GU10 Retrofit
MODULE LIFETIME	Approx.35.000 hours
LED COOLING	Passive cooling
COLORS (Δ)	● 6 = RAL 9007 grey
BEAM ANGLE	▲ 25° ▲ 40°
SIZE	150 X 125 X 88MM

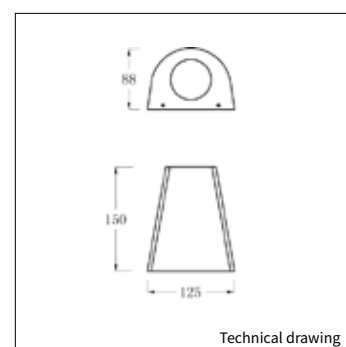
INFORMATION

LIGHTSOURCE	Incl. lightsource. Standard phase-cut dim.
WARRANTY	3 Years

Keylight International reserves the right to modify or change technical, construction or LED specifications due to continuous improvements of our products and lightsources.



SLOPE



ART.NR.	LAMP TYPE	BRAND	LUMINOUS FLUX	OUTPUT POWER	MODULE EFFICIENCY	COLOUR TEMPERATURE	CRI	TC LIFETIME	BEAM ANGLE
Δ see color									
8085.601.99.7	Masterled	Philips	355LM	4,3W	82LM/W	2700K	>80	35.000 Hrs	25°
8085.602.99.7	Masterled	Philips	365LM	4,3W	85LM/W	3000K	>80	35.000 Hrs	40°
8085.603.99.7	Masterled	Philips	390LM	4,3W	90LM/W	4000K	>80	35.000 Hrs	25°
8085.604.99.7	Masterled	Philips	355LM	4,3W	82LM/W	2700K	>80	35.000 Hrs	40°
8085.605.99.7	Masterled	Philips	365LM	4,3W	85LM/W	3000K	>80	35.000 Hrs	25°
8085.606.99.7	Masterled	Philips	390LM	4,3W	90LM/W	4000K	>80	35.000 Hrs	40°



PRODUCT MATERIAL	Die-cast Aluminium
LIGHT SOURCE	Bridgelux V6
MODULE LIFETIME	Approx. 35.000 hours
LED COOLING	Passive cooling
DRIVER	Incl. driver
COLORS	● 7 = Dark Grey ● 77 = Light grey
BEAM ANGLE	Wide angle.
SIZE	34 X 102MM



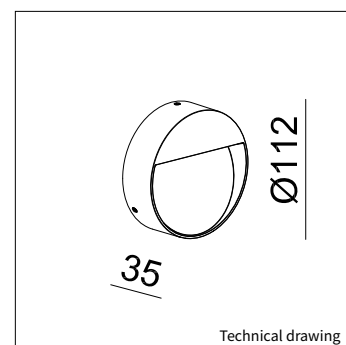
INFORMATION

WARRANTY	3 Years
-----------------	---------

Δ = See color code.

Keylight International reserves the right to modify or change technical, construction or LED specifications due to continuous improvements of our products and lightsources.

BOLT R



ART.NR.	LAMP TYPE	BRAND	LUMINOUS FLUX	OUTPUT POWER	MODULE EFFICIENCY	COLOUR TEMPERATURE	CRI	TC LIFETIME	mA
8250.102.99.Δ	V6 LED	Bridgelux V6	292LM	3,2W	91LM/W	2700K	>90	35.000 Hrs	350

Δ see colors



STYLO

PRODUCT MATERIAL	Aluminium body
LIGHT SOURCE	LED Plate
MODULE LIFETIME	Approx. 50.000 hours
LED COOLING	Passive cooling
DRIVER	LED Driver
COLORS (Δ)	<ul style="list-style-type: none"> ○ 3 = RAL 9003 white ● 5 = RAL 9005 black ● 6 = RAL 9006 alu
REFLECTOR PLATE	Opal diffuser
ADJUSTABLE	No
SIZE (STYLO)	411 X 301 X 301MM
SIZE (STYLO H)	411 X 301 X 301MM
SIZE (STYLO X)	411 X 301 X 301MM



OPTIONS

COLORS	Available in all RAL colours on request Additional price + 10%
---------------	---

STYLO

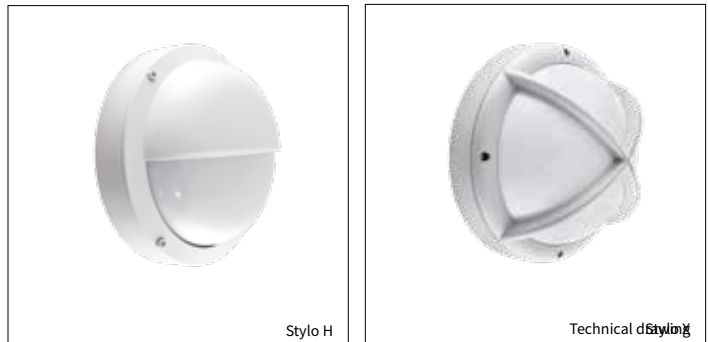
INFORMATION

WARRANTY	5 Years
-----------------	---------

Δ see colors

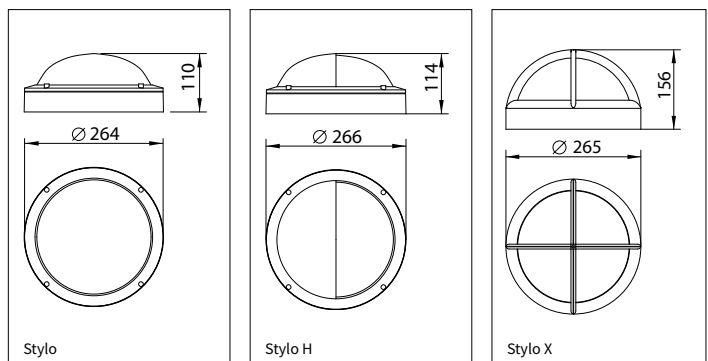
I.K. Class 0.8

Keylight International reserves the right to modify or change technical, construction or LED specifications due to continuous improvements of our products and lightsources.



Stylo H

Technical drawing



Stylo

Stylo H

Stylo X

ART.NR.	LAMP TYPE	BRAND	LUMINOUS FLUX	OUTPUT POWER	MODULE EFFICIENCY	COLOUR TEMPERATURE	CRI	TC LIFETIME
Δ see color								
8244.181.83Δ	Stylo	LED Plate	1300LM	12W	108LM/W	3000K	>80	50.000 Hrs
8244.181.84Δ	Stylo	LED Plate	1300LM	11W	108LM/W	4000K	>80	50.000 Hrs
8245.181.83Δ	Stylo H	LED Plate	1300LM	12W	108LM/W	3000K	>80	50.000 Hrs
8245.181.84Δ	Stylo H	LED Plate	1300LM	11W	108LM/W	4000K	>80	50.000 Hrs
8246.181.83Δ	Stylo X	LED Plate	1300LM	12W	108LM/W	3000K	>80	50.000 Hrs
8246.181.84Δ	Stylo X	LED Plate	1300LM	11W	108LM/W	4000K	>80	50.000 Hrs



WALL 10 UD

PRODUCT MATERIAL	Aluminium
LIGHT SOURCE	GU10 Retrofit
MODULE LIFETIME	Approx. 35.000 hours
LED COOLING	Passive cooling
COLORS (Δ)	<ul style="list-style-type: none"> ○ 3 = RAL 9003 white ● 5 = RAL 9005 black ● 6 = RAL 9006 alu
BEAM ANGLE	<ul style="list-style-type: none"> ▲ 25° ▲ 40°
SIZE	L: 182 X B: 136 X D: 100MM



OPTIONS

COLORS	Available in all RAL colours on request. Additional price + 10%
---------------	--

INFORMATION

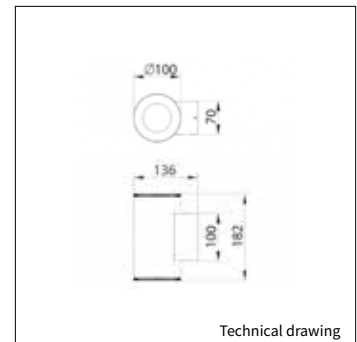
WARRANTY	3 Years
-----------------	---------

Δ = product color code. See colors

Including lightsource

Keylight International reserves the right to modify or change technical, construction or LED specifications due to continuous improvements of our products and lightsources.

WALL 10 UD



Technical drawing

ART.NR.	LAMP TYPE	BRAND	LUMINOUS FLUX	OUTPUT POWER	MODULE EFFICIENCY	COLOUR TEMPERATURE	CRI	TC LIFETIME	BEAM ANGLE
Δ see color									
8100.601.99Δ	MasterLED	Philips	2X 355LM	4,3W	82LM/W	2700K	>80	35.000 Hrs	25°
8100.602.99Δ	MasterLED	Philips	2X 365LM	4,3W	85LM/W	3000K	>80	35.000 Hrs	40°
8100.603.99Δ	MasterLED	Philips	2X 390LM	4,3W	90LM/W	4000K	>80	35.000 Hrs	25°
8100.604.99Δ	MasterLED	Philips	2X 355LM	4,3W	82LM/W	2700K	>80	35.000 Hrs	40°
8100.605.99Δ	MasterLED	Philips	2X 365LM	4,3W	85LM/W	3000K	>80	35.000 Hrs	25°
8100.606.99Δ	MasterLED	Philips	2X 390LM	4,3W	90LM/W	4000K	>80	35.000 Hrs	40°



WALL 14

PRODUCT MATERIAL	Aluminium
LIGHT SOURCE	GU10 Retrofit
MODULE LIFETIME	Approx.35.000 hours
LED COOLING	Passive cooling
COLORS (Δ)	<ul style="list-style-type: none"> ○ 3 = RAL 9003 white ● 5 = RAL 9005 black ● 6 = RAL 9006 alu
BEAM ANGLE	25° 40°
SIZE	195 X 178MM



OPTIONS

COLORS	Available in all RAL colours on request. Additional price + 10%
---------------	--

INFORMATION

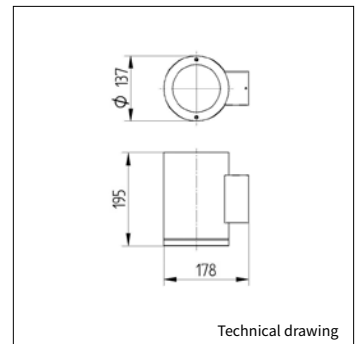
WARRANTY	5 Years
-----------------	---------

Δ = product color code. See colors

Without lightsource

Keylight International reserves the right to modify or change technical, construction or LED specifications due to continuous improvements of our products and lightsources.

WALL 14



ART.NR.	LAMP TYPE	BRAND	LUMINOUS FLUX	OUTPUT POWER	MODULE EFFICIENCY	COLOUR TEMPERATURE	CRI	TC LIFETIME	BEAM ANGLE
Δ see color									
8137.601.99Δ	Masterled	Philips	355LM	4,3W	82LM/W	2700K	>80	35.000 Hrs	25°
8137.602.99Δ	Masterled	Philips	365LM	4,3W	85LM/W	3000K	>80	35.000 Hrs	40°
8137.603.99Δ	Masterled	Philips	390LM	4,3W	90LM/W	4000K	>80	35.000 Hrs	25°
8137.604.99Δ	Masterled	Philips	355LM	4,3W	82LM/W	2700K	>80	35.000 Hrs	40°
8137.605.99Δ	Masterled	Philips	365LM	4,3W	85LM/W	3000K	>80	35.000 Hrs	25°
8137.606.99Δ	Masterled	Philips	390LM	4,3W	90LM/W	4000K	>80	35.000 Hrs	40°



WALL 17

PRODUCT MATERIAL	Aluminium
LIGHT SOURCE	DLM Flex
MODULE LIFETIME	Approx. 60.000 hours
LED COOLING	Passive cooling
DRIVER DLM	Incl. standard xitanium driver.
COLORS	<ul style="list-style-type: none"> ○ 3 = RAL 9003 white ● 5 = RAL 9005 black ● 6 = RAL 9006 alu
BEAM ANGLE	
ADJUSTABLE	No
SIZE	239 X 245MM

OPTIONS

COLORS	Available in all RAL colours on request Additional price + 10%	
DIMMABLE	Dimmable DALI	€ 60,00

INFORMATION

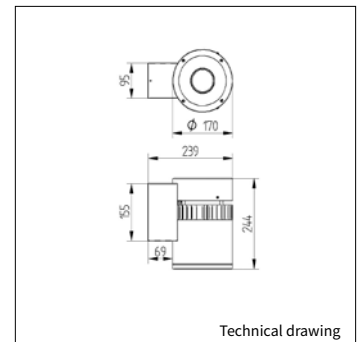
WARRANTY	5 Years
-----------------	---------

Δ see colors

Keylight International reserves the right to modify or change technical, construction or LED specifications due to continuous improvements of our products and lightsources. The light source in this product can be replaced with an equivalent module made by Philips, Osram or Tridonic.



WALL 17



Technical drawing

ART.NR.	LAMP TYPE	BRAND	LUMINOUS FLUX	OUTPUT POWER	MODULE EFFICIENCY	COLOUR TEMPERATURE	CRI	TC LIFETIME	POWER FACTOR
Δ see color									
8239.101.60Δ	DLM FLEX 1100	Philips	1100LM	12.3W	90LM/W	3000K	>80	60.000 Hrs	>0,9
8239.102.60Δ	DLM FLEX 1100	Philips	1100LM	11.1W	99LM/W	4000K	>80	60.000 Hrs	>0,9
8239.103.60Δ	DLM FLEX 2000	Philips	2000LM	22.2W	90LM/W	3000K	>80	60.000 Hrs	>0,9
8239.104.60Δ	DLM FLEX 2000	Philips	2000LM	20.1W	100LM/W	4000K	>80	60.000 Hrs	>0,9
8239.105.60Δ	DLM FLEX 3000	Philips	3000LM	33.1W	91LM/W	3000K	>80	60.000 Hrs	>0,9
8239.106.60Δ	DLM FLEX 3000	Philips	3000LM	30.0W	100LM/W	4000K	>80	60.000 Hrs	>0,9

High efficiency is the standard Keylight setting for all DLM G2 LED modules. For technical and warranty information regarding high efficiency, see page 300. Standard system warranty is 5 years.



BIG WALL

PRODUCT MATERIAL	Stainless Steel & Aluminium
LIGHT SOURCE	Osram LEDPlate
MODULE LIFETIME	Approx. 50.000 hours
LED COOLING	Passive cooling
DRIVER	Incl. standard Osram driver.
COLORS (Δ)	<input type="radio"/> 3 = RAL 9003 white <input checked="" type="radio"/> 5 = RAL 9005 black <input type="radio"/> 6 = RAL 9006 alu
ADJUSTABLE	No
SIZE	279 X 242MM



OPTIONS

COLORS	Available in all RAL colours on request Additional price + 10%
---------------	---

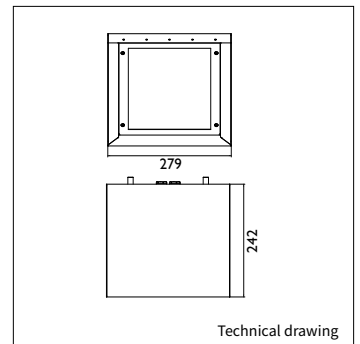
INFORMATION

WARRANTY	5 Years
-----------------	---------

Δ see colors

BIG WALL

Keylight International reserves the right to modify or change technical, construction or LED specifications due to continuous improvements of our products and lightsources. The light source in this product can be replaced with an equivalent module made by Philips, Osram or Tridonic.



Technical drawing

ART.NR.	LAMP TYPE	BRAND	LUMINOUS FLUX	OUTPUT POWER	MODULE EFFICIENCY	COLOUR TEMPERATURE	CRI	TC LIFETIME	POWER FACTOR
Δ see color									
8295.181.91Δ	LEDPlate	Osram	2600LM	33W	75LM/W	3000K	>80	50.000 Hrs	>0,9
8295.182.91Δ	LEDPlate	Osram	2600LM	33W	80LM/W	4000K	>80	50.000 Hrs	>0,9



ATIM

PRODUCT MATERIAL	Stainless Steel & Aluminium
LIGHT SOURCE	Osram LEDPlate
MODULE LIFETIME	Approx. 50.000 hours
LED COOLING	Passive cooling
DRIVER	Incl. standard Osram driver.
COLORS (Δ)	<input type="radio"/> 3 = RAL 9003 white <input checked="" type="radio"/> 5 = RAL 9005 black <input type="radio"/> 6 = RAL 9006 alu
REFLECTOR PLATE	Clear Glass
ADJUSTABLE	No
SIZE	411 X 301 X 301MM



OPTIONS

COLORS	Available in all RAL colours on request Additional price + 10%
---------------	---

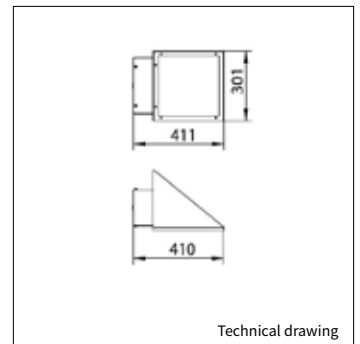
INFORMATION

WARRANTY	5 Years
-----------------	---------

Δ see colors

Keylight International reserves the right to modify or change technical, construction or LED specifications due to continuous improvements of our products and light sources. The light source in this product can be replaced with an equivalent module made by Philips, Osram or Tridonic.

ATIM



ART.NR.	LAMP TYPE	BRAND	LUMINOUS FLUX	OUTPUT POWER	MODULE EFFICIENCY	COLOUR TEMPERATURE	CRI	TC LIFETIME	POWER FACTOR
Δ see color									
8243.181.91Δ	LEDPlate	Osram	2600LM	33W	75LM/W	3000K	>80	50.000 Hrs	>0,9
8243.182.91Δ	LEDPlate	Osram	2600LM	33W	80LM/W	4000K	>80	50.000 Hrs	>0,9



SATURNUS S

PRODUCT MATERIAL	Aluminium
LIGHT SOURCE	Cree XP-E
MODULE LIFETIME	Approx. 30.000 hours
VOLTAGE	230v
LED COOLING	Passive cooling
DRIVER	Incl. driver.
COLORS	○ 3 = RAL 9003 white
BEAM ANGLE	Wide angle.
SIZE	50 X 50 X 59MM



INFORMATION

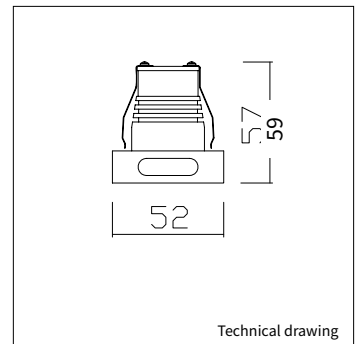
WARRANTY	2 Years
-----------------	---------

Incl. Frosted Glass.

Incl. 1.5m cable

Keylight International reserves the right to modify or change technical, construction or LED specifications due to continuous improvements of our products and lightsources.

SATURNUS S



ART.NR.	LAMP TYPE	BRAND	LUMINOUS FLUX	OUTPUT POWER	MODULE EFFICIENCY	COLOUR TEMPERATURE	CRI	TC LIFETIME	POWER FACTOR
Δ see color									
8050.990.99.3Δ	XP-E	Cree	75LM	2.4W	30LM/W	2700K	>80	30.000 Hrs	>0,9



STERLING

PRODUCT MATERIAL	Aluminium
LIGHT SOURCE	Samsung LED
MODULE LIFETIME	Approx. 30.000 hours
VOLTAGE	230v
LED COOLING	Passive cooling
DRIVER	Incl. driver.
COLORS	● 6 = RAL 9006 alu
BEAM ANGLE	Wide angle
SIZE	83 X 51 X 35MM



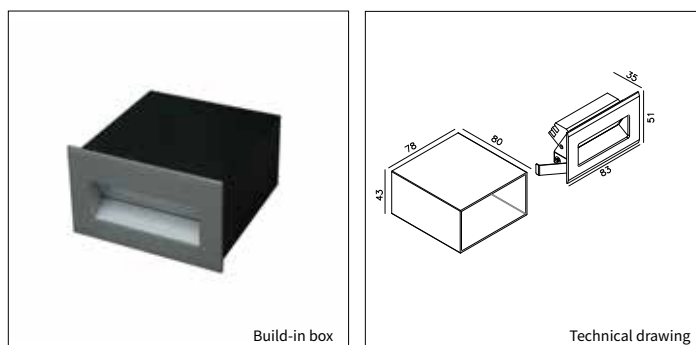
INFORMATION

WARRANTY	2 Years
-----------------	---------

- Incl. Frosted Glass.
- Incl. 1.5m cable
- Incl. ABS mounting kit.

Keylight International reserves the right to modify or change technical, construction or LED specifications due to continuous improvements of our products and lightsources.

STERLING



ART.NR.	LAMP TYPE	BRAND	LUMINOUS FLUX	OUTPUT POWER	MODULE EFFICIENCY	COLOUR TEMPERATURE	CRI	TC LIFETIME	mA
8083.990.86.6Δ	LED	Samsung	75	2.4	30	2700	>80	30.000	350mA

RECESSED & SURFACE





LINKON 14
PAGE 282



DENVER 20
PAGE 283



DENVER 23
PAGE 283



UDO 19 SF
PAGE 284



VAND
PAGE 285

EXTERIOR **RECESSED & SURFACE**

DENVER 20	PAGE 283
DENVER 23	PAGE 283
LINKON 14	PAGE 282
UDO 19 SF	PAGE 284
VAND	PAGE 285



LINKON 14

PRODUCT MATERIAL	Aluminium
LIGHT SOURCE	SLM G6
MODULE LIFETIME	Approx. 50.000 hours
LED COOLING	Fan cooling
DRIVER	Incl. Xitanium driver.
COLORS (Δ)	<ul style="list-style-type: none"> ○ 3 = RAL 9003 white ● 5 = RAL 9005 black ● 6 = RAL 9006 alu
BEAM ANGLE	
ADJUSTABLE	No
SIZE	140 X 129MM



OPTIONS

LINKON 14

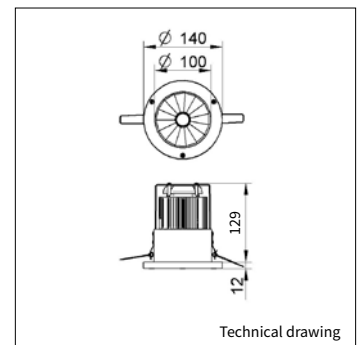
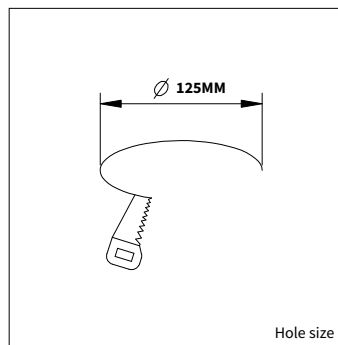
COLORS	Available in all RAL colours on request. Additional price + 10%	
EMERGENCY BALLAST	0187.003.01 1 - 3 hours.	€ 180,00
DIMMABLE	Dimmable DALI	€ 60,00

INFORMATION

WARRANTY	5 Years
-----------------	---------

Δ = product color code. See colors

Keylight International reserves the right to modify or change technical, construction or LED specifications due to continuous improvements of our products and light sources. The light source in this product can be replaced with an equivalent module made by Philips, Osram or Tridonic.



AVAILABLE SLM OPTIONS

To order the correct product, please replace **COB*** in the article number field with the COB code found on the last page of the catalogue

ARTICLE NUMBER Δ See colors	LUMINOUS FLUX	BRAND	OUTPUT POWER	COLOUR TEMPERATURE	CRI	SETTING	POWER FACTOR
8014.COB*.24.Δ	1100	Philips SLM G6	7W	827 / 830 / 835 / 840 / 850	>80	High Efficiency	>0,9
8014.COB*.24.Δ	1100	Philips SLM G6	8W	927 / 930	>90	High Efficiency	>0,9
8014.COB*.24.Δ	1100	Philips SLM G6	7W	830 Premium White	>80	High Efficiency	>0,9
8014.COB*.24.Δ	1100	Philips SLM G6	8W	930 / 935 / 940 Premium White	>90	High Efficiency	>0,9
8014.COB*.24.Δ	1100	Philips SLM G6	10W	930 Crisp White (930 CW)	>90	High Efficiency	>0,9
8014.COB*.24.Δ	1100	Philips SLM G6	11W	Food Warm White (FWW)	84	High Efficiency	>0,9
8014.COB*.24.Δ	1100	Philips SLM G6	11W	Food Premium Red (FPR)	88	High Efficiency	>0,9
8014.COB*.24.Δ	2000	Philips SLM G6	13W	827 / 830 / 835 / 840 / 850	>80	High Efficiency	>0,9
8014.COB*.24.Δ	2000	Philips SLM G6	17W	927 / 930	>90	High Efficiency	>0,9
8014.COB*.24.Δ	2000	Philips SLM G6	14W	830 Premium White	>80	High Efficiency	>0,9
8014.COB*.24.Δ	2000	Philips SLM G6	16W	930 / 935 / 940 Premium White	>90	High Efficiency	>0,9
8014.COB*.24.Δ	2000	Philips SLM G6	21W	930 Crisp White (930 CW)	>90	High Efficiency	>0,9
8014.COB*.24.Δ	2000	Philips SLM G6	23W	Food Warm White (FWW)	84	High Efficiency	>0,9
8014.COB*.24.Δ	2000	Philips SLM G6	22W	Food Premium Red (FPR)	88	High Efficiency	>0,9
8014.COB*.24.Δ	3000	Philips SLM G6	19W	827 / 830 / 835 / 840 / 850 / 857	>80	High Efficiency	>0,9
8014.COB*.24.Δ	3000	Philips SLM G6	26W	927 / 930	>90	High Efficiency	>0,9
8014.COB*.24.Δ	3000	Philips SLM G6	20W	830 Premium White	>80	High Efficiency	>0,9
8014.COB*.24.Δ	3000	Philips SLM G6	25W	930 / 935 / 940 Premium White	>90	High Efficiency	>0,9

High efficiency is the standard Keylight setting for all SLM G6 LED modules. For technical and warranty information regarding high efficiency, see last page of the catalogue. Standard system warranty is 5 years.



DENVER 20 + 23

PRODUCT MATERIAL	Aluminium
LIGHT SOURCE	DLM Flex
MODULE LIFETIME	Approx. 60.000 hours
LED COOLING	Passive cooling
DRIVER DLM	Incl. standard xitanium driver.
COLORS	<ul style="list-style-type: none"> ○ 3 = RAL 9003 white ● 5 = RAL 9005 black ● 6 = RAL 9006 alu
BEAM ANGLE	
ADJUSTABLE	No
SIZE	196 X 190MM / 230 X 250MM



OPTIONS

DENVER 20 + 23

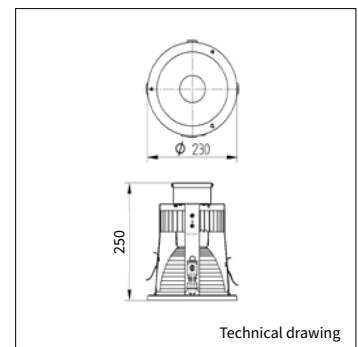
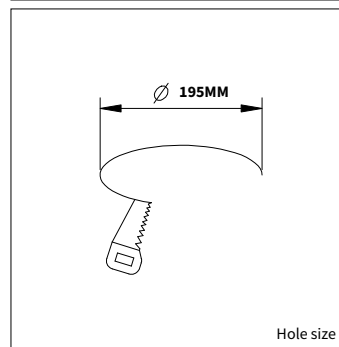
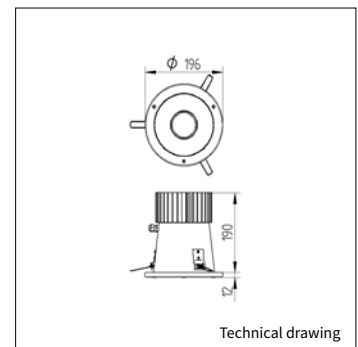
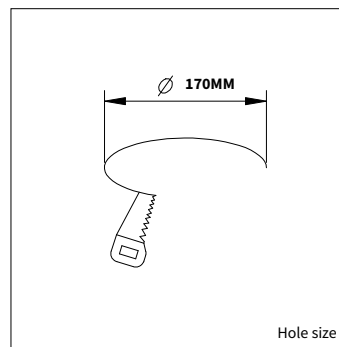
COLORS	Available in all RAL colours on request Additional price + 10%	
EMERGENCY BALLAST	0187.003.01 1 - 3 hours	€ 180,00
DIMMABLE	Dimmable DALI	€ 60,00

INFORMATION

WARRANTY	5 Years
-----------------	---------

Δ see colors

Keylight International reserves the right to modify or change technical, construction or LED specifications due to continuous improvements of our products and light sources. The light source in this product can be replaced with an equivalent module made by Philips, Osram or Tridonic.



DENVER 20 - FORTIMO DLM FLEX G2

Different lumen output or wattages available on request

ART.NR.	LUMEN	PHILIPS FORTIMO DLM G2	HOUSING	LUMINOUS FLUX	MODULE EFFICIENCY	OUTPUT POWER	COLOUR TEMPERATURE	CRI	INPUT VOLTAGE	TC	POWER FACTOR	TC LIFETIME
8196.101.60Δ	1100	DLM FLEX 830 G2	High	1075LM	115LM/W	9.8W	3000K	>80	34V	85°C	>0,9	60.000 Hrs
8196.102.60Δ	1100	DLM FLEX 840 G2	High	1075LM	127LM/W	8.6W	4000K	>80	34V	85°C	>0,9	60.000 Hrs
8196.103.60Δ	2000	DLM FLEX 830 G2	High	1954LM	113LM/W	17.6W	3000K	>80	34V	85°C	>0,9	60.000 Hrs
8196.104.60Δ	2000	DLM FLEX 840 G2	High	1954LM	125LM/W	16.0W	4000K	>80	34V	85°C	>0,9	60.000 Hrs
8196.105.60Δ	3000	DLM FLEX 830 G2	High	2931LM	115LM/W	26.8W	3000K	>80	34V	85°C	>0,9	60.000 Hrs
8196.106.60Δ	3000	DLM FLEX 840 G2	High	2931LM	127LM/W	23.4W	4000K	>80	34V	85°C	>0,9	60.000 Hrs

DENVER 23 - FORTIMO DLM FLEX G2

8230.101.60Δ	1100	DLM FLEX 830 G2	High	1075LM	115LM/W	9.8W	3000K	>80	34V	85°C	>0,9	60.000 Hrs
8230.102.60Δ	1100	DLM FLEX 840 G2	High	1075LM	127LM/W	8.6W	4000K	>80	34V	85°C	>0,9	60.000 Hrs
8230.103.60Δ	2000	DLM FLEX 830 G2	High	1954LM	113LM/W	17.6W	3000K	>80	34V	85°C	>0,9	60.000 Hrs
8230.104.60Δ	2000	DLM FLEX 840 G2	High	1954LM	125LM/W	16.0W	4000K	>80	34V	85°C	>0,9	60.000 Hrs
8230.105.60Δ	3000	DLM FLEX 830 G2	High	2931LM	115LM/W	26.8W	3000K	>80	34V	85°C	>0,9	60.000 Hrs
8230.106.60Δ	3000	DLM FLEX 840 G2	High	2931LM	127LM/W	23.4W	4000K	>80	34V	85°C	>0,9	60.000 Hrs

High efficiency is the standard Keylight setting for all DLM G2 LED modules. For technical and warranty information regarding high efficiency, see page 300. Standard system warranty is 5 years.



UDO 19 SF

PRODUCT MATERIAL	Aluminium
LIGHT SOURCE	GU10 Retrofit
MODULE LIFETIME	Approx. 35.000 hours
LED COOLING	Passive cooling
COLORS (Δ)	<ul style="list-style-type: none"> ○ 3 = RAL 9003 white ● 5 = RAL 9005 black ● 6 = RAL 9006 alu
BEAM ANGLE	<ul style="list-style-type: none"> ▲ 25° ▲ 40°
SIZE	141 X 230MM



OPTIONS

COLORS	Available in all RAL colours on request. Additional price + 10%
---------------	--

INFORMATION

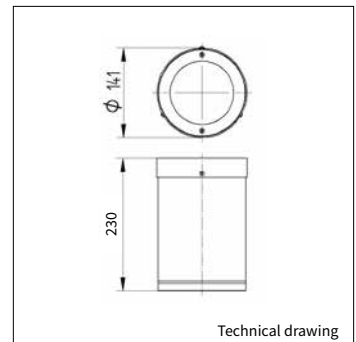
WARRANTY	5 Years
-----------------	---------

Δ = product color code. See colors

Including lightsource

Keylight International reserves the right to modify or change technical, construction or LED specifications due to continuous improvements of our products and lightsources. The light source in this product can be replaced with an equivalent module made by Philips, Osram or Tridonic.

UDO 19 SF



ART.NR.	LAMP TYPE	BRAND	LUMINOUS FLUX	OUTPUT POWER	MODULE EFFICIENCY	COLOUR TEMPERATURE	CRI	TC LIFETIME	POWER FACTOR
Δ see color									
8141.601.99Δ	Masterled	Philips	355LM	4,3W	82LM/W	2700K	>80	35.000 Hrs	25°
8141.602.99Δ	Masterled	Philips	365LM	4,3W	85LM/W	3000K	>80	35.000 Hrs	40°
8141.603.99Δ	Masterled	Philips	390LM	4,3W	90LM/W	4000K	>80	35.000 Hrs	25°
8141.604.99Δ	Masterled	Philips	355LM	4,3W	82LM/W	2700K	>80	35.000 Hrs	40°
8141.605.99Δ	Masterled	Philips	365LM	4,3W	85LM/W	3000K	>80	35.000 Hrs	25°
8141.606.99Δ	Masterled	Philips	390LM	4,3W	90LM/W	4000K	>80	35.000 Hrs	40°



VAND

PRODUCT MATERIAL	Aluminium case
LIGHT SOURCE	Epistar LED chip
MODULE LIFETIME	Approx. 50.000 Hrs
LED COOLING	Passive cooling
COLORS (Δ)	● 6 = RAL 9006 alu
BEAM ANGLE	Wide beam
SIZE	120 X 88 X 74MM

OPTIONS

SUSPENSION SET	Wire, cable and clips 2000mm art. no.: 4920.933.96.0	€ 7,50
-----------------------	---	--------

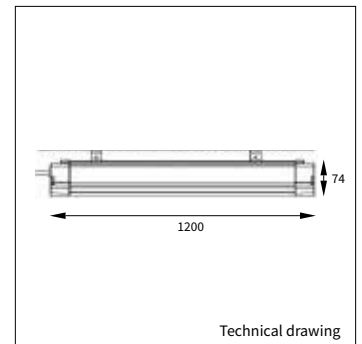
INFORMATION

CLASSIFICATION	Dust proof, damp proof, water proof, corrosion proof, explosion proof (IK10) and impact proof.
OPERATION	Operating temperature -20c to 40c
WARRANTY	5 Years for VAND, 3 years for VAND with EM



VAND

Keylight International reserves the right to modify or change technical, construction or LED specifications due to continuous improvements of our products and light sources. The light source in this product can be replaced with an equivalent module made by Philips, Osram or Tridonic.



Technical drawing

ART.NR.	LAMP TYPE	BRAND	LUMINOUS FLUX	OUTPUT POWER	MODULE EFFICIENCY	COLOUR TEMPERATURE	CRI	TC LIFETIME	POWER FACTOR
5121.120.45.6	SMD 3030	Epistar	4500LM	45W	100LM/W	4000K	>80	50.000 Hrs	>0,9
5121.120.45.6.EM	SMD 3030	Epistar	4500LM	45W	100LM/W	4000K	>80	50.000 Hrs	>0,9

OUTDOOR LUMINAIRES

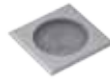




ARBOR
PAGE 288



GARDEN SPOT
PAGE 289



FLOOR 6
PAGE 290



FLOOR 10
PAGE 291



FLOOR 25
PAGE 292



VELDI
PAGE 294



PARK
PAGE 295



PILE
PAGE 296



SWEEP
PAGE 297



FLOOD 10 / 30 / 40
PAGE 298



EMPIRE
PAGE 299

EXTERIOR OUTDOOR LUMINAIRES

ARBOR	PAGE 288
EMPIRE	PAGE 299
FLOOD 10 / 30 / 40	PAGE 298
FLOOR 10	PAGE 291
FLOOR 25	PAGE 292
FLOOR 6	PAGE 290
GARDEN SPOT	PAGE 289
PARK	PAGE 295
PILE	PAGE 296
SWEEP	PAGE 297
VELDI	PAGE 294





PRODUCT MATERIAL	Aluminium
LIGHT SOURCE	Epistar
MODULE LIFETIME	Approx. 30.000 hours
LED COOLING	Passive cooling
DRIVER	Incl. driver / 230v
COLORS	● 5 = RAL 9005 black mat
BEAM ANGLE	▲ 38°
SIZE FLOOD 10	250 X 70 X Ø43MM



OPTIONS

ACCESSOIRES	including ground mounting pin
--------------------	-------------------------------

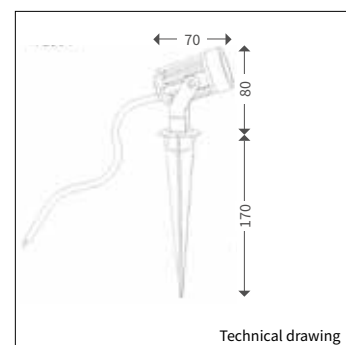
INFORMATION

WARRANTY	2 Years
-----------------	---------

Incl. 1m cable.

Keylight International reserves the right to modify or change technical, construction or LED specifications due to continuous improvements of our products and lightsources.

ABOR





ART.NR.	LAMP TYPE	BRAND	LUMINOUS FLUX	OUTPUT POWER	MODULE EFFICIENCY	COLOUR TEMPERATURE	CRI	TC LIFETIME
8145.005.38.5	Epistar	LED	450LM	5W	90LM/W	2700K	>80	30.000 Hrs

Δ see color



GARDEN SPOT

PRODUCT MATERIAL	Aluminium
LIGHT SOURCE	Cree LED 1304/1507
MODULE LIFETIME	Approx. 30.000 hours
LED COOLING	Passive cooling
DRIVER	Incl. driver.
COLORS	● 5 = RAL 9005 black
BEAM ANGLE	 25°  38°
SIZE FLOOD 10	162 X 75MM

OPTIONS

ACCESSOIRES	including mounting plate and rod (approx. 1m)
--------------------	---

INFORMATION

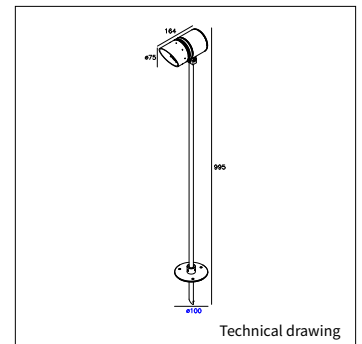
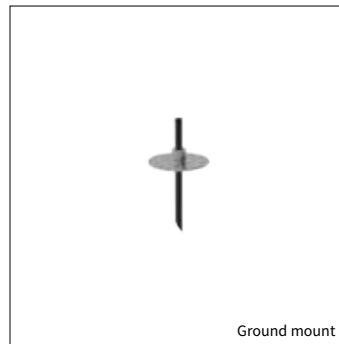
WARRANTY	2 Years
-----------------	---------

Incl. 1.5m cable.



GARDEN SPOT

Keylight International reserves the right to modify or change technical, construction or LED specifications due to continuous improvements of our products and lightsources.



ART.NR.	LAMP TYPE	BRAND	LUMINOUS FLUX	OUTPUT POWER	MODULE EFFICIENCY	COLOUR TEMPERATURE	CRI	TC LIFETIME	mA
Δ see color									
GARDEN 5W 38°									
8142.005.38.5	1304	Cree	310LM	5W	62LM/W	2700K	>80	30.000 Hrs	500
GARDEN 10W 25°									
8142.010.25.5	1507	Cree	650LM	10W	65LM/W	2700K	>80	30.000 Hrs	500



FLOOR 6

PRODUCT MATERIAL	Aluminium & Stainless steel.
LIGHT SOURCE	XP-E
MODULE LIFETIME	Approx. 30.000 hours
LED COOLING	Passive cooling
DRIVER	Incl. driver.
COLORS	● 80 = Stainless steel
BEAM ANGLE	▲ 40°
SIZE FLOOD 6	65 X 65 X 145MM



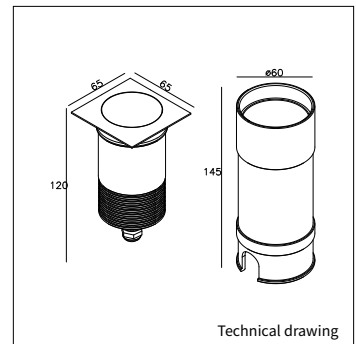
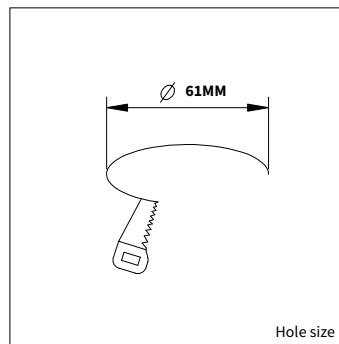
INFORMATION

WARRANTY	2 Years
-----------------	---------

- IP67 fixture!
- Stainless steel cover (316)
- Tempered frosted glass.
- Incl. 1.5m cable.
- Incl. Ground tube.

Keylight International reserves the right to modify or change technical, construction or LED specifications due to continuous improvements of our products and lightsources.

FLOOR 6



ART.NR.	LAMP TYPE	BRAND	LUMINOUS FLUX	OUTPUT POWER	MODULE EFFICIENCY	COLOUR TEMPERATURE	CRI	TC LIFETIME	mA
8065.990.40.8	XP-E	Cree	170LM	3,6W	47LM/W	2700K	>80	30.000 Hrs	350



FLOOR 10

PRODUCT MATERIAL	Stainless steel & ABS plastics
LIGHT SOURCE	XP-E
MODULE LIFETIME	Approx. 30.000 hours
LED COOLING	Passive cooling
DRIVER	Incl. driver.
COLORS	● 8 = Stainless steel
BEAM ANGLE	▲ 40°
SIZE FLOOD 10	178 X 163 X 107MM (See technical drawing)

OPTIONS

DIMMABLE	Dimmable on request
-----------------	---------------------

INFORMATION

WARRANTY	2 Years
-----------------	---------

Tempered glass standard

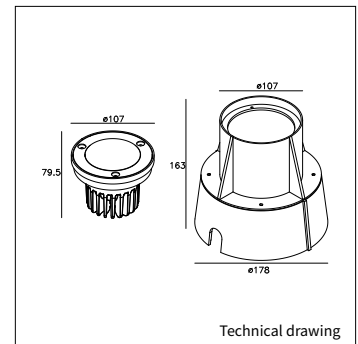
Lens plate black colored and adjustable. Incl. 1.5m cable.

Stainless steel ring (316)

Keylight International reserves the right to modify or change technical, construction or LED specifications due to continuous improvements of our products and lightsources.



FLOOR 10



ART.NR.	LAMP TYPE	BRAND	LUMINOUS FLUX	OUTPUT POWER	MODULE EFFICIENCY	COLOUR TEMPERATURE	CRI	TC LIFETIME	mA
8108.990.30.8	XP-E	Cree	362LM	7,7W	90LM/W	2700K	>80	30.000 Hrs	700mA



FLOOR 25

IP67 LED ground luminaire. Ideal for illuminating storefronts, walls and facades.



FLOOR 25



PRODUCT MATERIAL	Stainless steel & ABS plastics
LIGHT SOURCE	XP-E
MODULE LIFETIME	Approx. 30.000 hours
LED COOLING	Passive cooling
DRIVER	Incl. driver.
COLORS	● 8 = Stainless steel
BEAM ANGLE	▲ 40°
SIZE FLOOD 10	178 X 163 X 107MM (See technical drawing)

OPTIONS

DIMMABLE	Dimmable on request
-----------------	---------------------

INFORMATION

WARRANTY	2 Years
-----------------	---------

Tempered glass standard

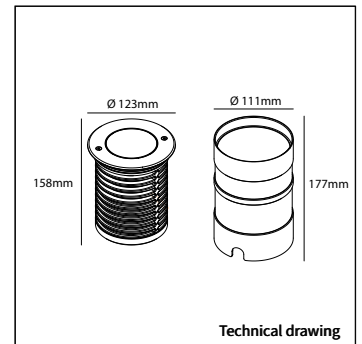
Lens plate black colored and adjustable. Incl. 1.5m cable.

Stainless steel ring (316)

Keylight International reserves the right to modify or change technical, construction or LED specifications due to continuous improvements of our products and lightsources.



FLOOR 25



Technical drawing

ART.NR.	LAMP TYPE	BRAND	LUMINOUS FLUX	OUTPUT POWER	MODULE EFFICIENCY	COLOUR TEMPERATURE	CRI	TC LIFETIME	mA
8108.990.30.8	XP-E	Cree	362LM	7,7W	90LM/W	2700K	>80	30.000 Hrs	700mA



PRODUCT MATERIAL	Die-cast aluminium
LIGHT SOURCE	Bridgelux V8
MODULE LIFETIME	Approx. 35.000 hours
LED COOLING	Passive cooling
DRIVER	Incl. HEP driver
COLORS	● 7 = Dark Grey
BEAM ANGLE	Wide angle.
SIZE	400/1000 X 102 X 102MM

OPTIONS

MOUNT	Ground mounting plate art. no.: 8030.000.99.0	€ 35,00
--------------	--	---------

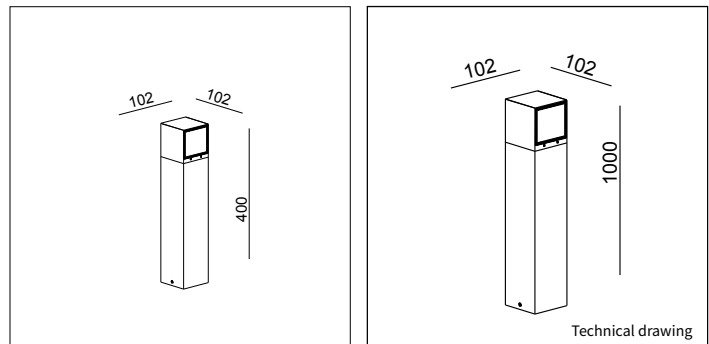
INFORMATION

WARRANTY	3 Years
-----------------	---------



Keylight International reserves the right to modify or change technical, construction or LED specifications due to continuous improvements of our products and lightsources.

VELDI



ART.NR.	LAMP TYPE	BRAND	LUMINOUS FLUX	OUTPUT POWER	MODULE EFFICIENCY	COLOUR TEMPERATURE	CRI	TC LIFETIME	mA
40CM									
8030.400.99.7	V8	Bridgelux	740LM	9,2W	80LM/W	2700K	>90	35.000 Hrs	500
100CM									
8030.100.99.7	V8	Bridgelux	740LM	9,2W	80LM/W	2700K	>90	35.000 Hrs	500



PRODUCT MATERIAL	Steel & aluminium
LIGHT SOURCE	Osram PrevaLED Coin 111
MODULE LIFETIME	Approx. 50.000 hours
LED COOLING	Passive cooling
DRIVER	AC
COLORS	<ul style="list-style-type: none"> ○ 3 = RAL 9003 white ● 5 = RAL 9005 black ● 6 = RAL 9006 alu
BEAM ANGLE	Wide angle.
SIZE	230 X 600MM

OPTIONS

COLORS	Available in all RAL colours on request Additional price + 10%
---------------	---

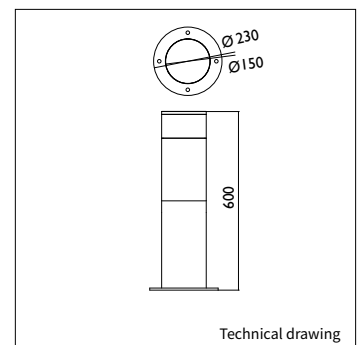
INFORMATION

WARRANTY	5 Years
-----------------	---------

Keylight International reserves the right to modify or change technical, construction or LED specifications due to continuous improvements of our products and lightsources. The light source in this product can be replaced with an equivalent module made by Philips, Osram or Tridonic.



PARK



Technical drawing

ART.NR.	LAMP TYPE	BRAND	LUMINOUS FLUX	OUTPUT POWER	MODULE EFFICIENCY	COLOUR TEMPERATURE	CRI	TC LIFETIME	POWER FACTOR
8075.120.30.Δ	COIN 111	Osram	1200LM	16W	75LM/W	3000K	>80	50.000 Hrs	>0,9
8075.120.40.Δ	COIN 111	Osram	1200LM	16W	75LM/W	4000K	>80	50.000 Hrs	>0,9
8075.180.30.Δ	COIN 111	Osram	1800LM	23W	78LM/W	3000K	>80	50.000 Hrs	>0,9
8075.180.40.Δ	COIN 111	Osram	1800LM	23W	78LM/W	4000K	>80	50.000 Hrs	>0,9



PILE

PRODUCT MATERIAL	Aluminium
LIGHT SOURCE	DLM Flex
MODULE LIFETIME	Approx. 60.000 hours
LED COOLING	Passive cooling
DRIVER	Incl. Xitanium driver.
COLORS	<ul style="list-style-type: none"> 3 = RAL 9003 white ● 5 = RAL 9005 black ● 6 = RAL 9006 alu
BEAM ANGLE	Wide angle.
SIZE	200 X 1000 / 1500 / 3000MM



OPTIONS

COLORS	Available in all RAL colours on request Additional price + 10%
---------------	---

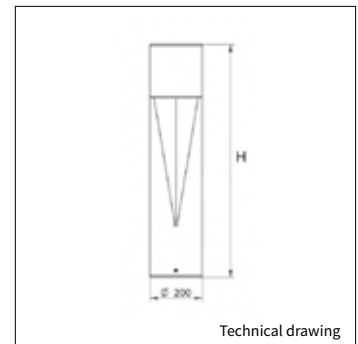
INFORMATION

WARRANTY	5 Years
-----------------	---------

Incl. Frosted Glass.

PILE

Keylight International reserves the right to modify or change technical, construction or LED specifications due to continuous improvements of our products and light sources. The light source in this product can be replaced with an equivalent module made by Philips, Osram or Tridonic.



FORTIMO DLM FLEX G2

Different lumen output or wattages available on request

ART.NR.	LENGTH	PHILIPS FORTIMO DLM G2	HOUSING	LUMINOUS FLUX	MODULE EFFICIENCY	OUTPUT POWER	COLOUR TEMPERATURE	CRI	INPUT VOLTAGE	TC	POWER FACTOR	TC LIFETIME
8020.101.92Δ	1000MM	DLM FLEX 830 G2	High	3000LM	70LM/W	43W	3000K	>80	34V	85°C	>0,9	60.000 Hrs
8020.102.92Δ	1000MM	DLM FLEX 840 G2	High	3000LM	70LM/W	43W	4000K	>80	34V	85°C	>0,9	60.000 Hrs
8020.103.92Δ	2000MM	DLM FLEX 830 G2	High	3000LM	70LM/W	43W	3000K	>80	34V	85°C	>0,9	60.000 Hrs
8020.104.92Δ	2000MM	DLM FLEX 840 G2	High	3000LM	70LM/W	43W	4000K	>80	34V	85°C	>0,9	60.000 Hrs
8020.105.92Δ	3000MM	DLM FLEX 830 G2	High	3000LM	70LM/W	43W	3000K	>80	34V	85°C	>0,9	60.000 Hrs
8020.106.92Δ	3000MM	DLM FLEX 840 G2	High	3000LM	70LM/W	43W	4000K	>80	34V	85°C	>0,9	60.000 Hrs

Δ See colors

High efficiency is the standard Keylight setting for all DLM G2 LED modules. For technical and warranty information regarding high efficiency, see page 300. Standard system warranty is 5 years.



SWEEP

PRODUCT MATERIAL	Aluminium
LIGHT SOURCE	SLM G6
MODULE LIFETIME	Approx. 50.000 hours
LED COOLING	Passive cooling
DRIVER	Incl. Xitanium driver.
COLORS (Δ)	<ul style="list-style-type: none"> 3 = RAL 9003 white ● 5 = RAL 9005 black ● 6 = RAL 9006 alu
BEAM ANGLE	WIDE ANGLE
ADJUSTABLE	Yes
SIZE	140 X 1006 X MM



OPTIONS

COLORS	Available in all RAL colours on request	
	Additional price + 10%	
DIMMABLE	Dimmable DALI	€ 60,00

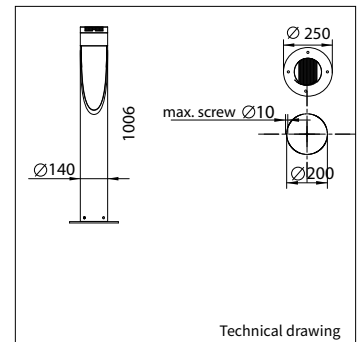
INFORMATION

WARRANTY	5 Years
-----------------	---------

Δ = product color code. See colors

Keylight International reserves the right to modify or change technical, construction or LED specifications due to continuous improvements of our products and light sources. The light source in this product can be replaced with an equivalent module made by Philips, Osram or Tridonic.

SWEEP



AVAILABLE SLM OPTIONS




To order the correct product, please replace **COB*** in the article number field with the COB code found on the last page of the catalogue

ARTICLE NUMBER	LUMINOUS FLUX	BRAND	OUTPUT POWER	COLOUR TEMPERATURE	CRI	SETTING	POWER FACTOR
8024. COB* .24.Δ	1100	Philips SLM G6	7W	827 / 830 / 835 / 840 / 850	>80	High Efficiency	>0,9
8024. COB* .24.Δ	1100	Philips SLM G6	8W	927 / 930	>90	High Efficiency	>0,9
8024. COB* .24.Δ	1100	Philips SLM G6	7W	830 Premium White	>80	High Efficiency	>0,9
8024. COB* .24.Δ	1100	Philips SLM G6	8W	930 / 935 / 940 Premium White	>90	High Efficiency	>0,9
8024. COB* .24.Δ	2000	Philips SLM G6	13W	827 / 830 / 835 / 840 / 850	>80	High Efficiency	>0,9
8024. COB* .24.Δ	2000	Philips SLM G6	17W	927 / 930	>90	High Efficiency	>0,9
8024. COB* .24.Δ	2000	Philips SLM G6	14W	830 Premium White	>80	High Efficiency	>0,9
8024. COB* .24.Δ	2000	Philips SLM G6	16W	930 / 935 / 940 Premium White	>90	High Efficiency	>0,9
8024. COB* .24.Δ	3000	Philips SLM G6	19W	827 / 830 / 835 / 840 / 850 / 857	>80	High Efficiency	>0,9
8024. COB* .24.Δ	3000	Philips SLM G6	26W	927 / 930	>90	High Efficiency	>0,9
8024. COB* .24.Δ	3000	Philips SLM G6	20W	830 Premium White	>80	High Efficiency	>0,9
8024. COB* .24.Δ	3000	Philips SLM G6	25W	930 / 935 / 940 Premium White	>90	High Efficiency	>0,9

High efficiency is the standard Keylight setting for all SLM G6 LED modules. For technical and warranty information regarding high efficiency, see last page of the catalogue. Standard system warranty is 5 years.



FLOOD 10/30/50

PRODUCT MATERIAL	Die-cast aluminium
LIGHT SOURCE	LED
MODULE LIFETIME	Approx. 30.000 hours
LED COOLING	Passive cooling
DRIVER	Incl. driver.
COLORS	● 5 = RAL 9005 black
SIZE FLOOD 10	196 X 150 X 53MM 
SIZE FLOOD 30	292 X 250 X 80MM 
SIZE FLOOD 50	356 X 325 X 106MM 



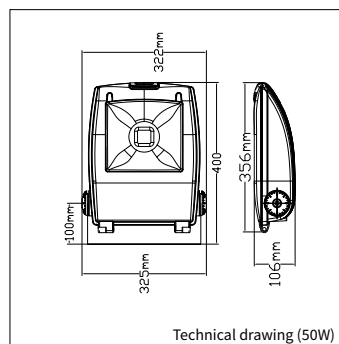
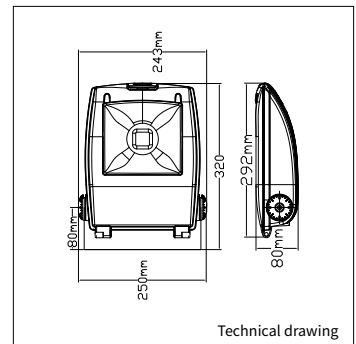
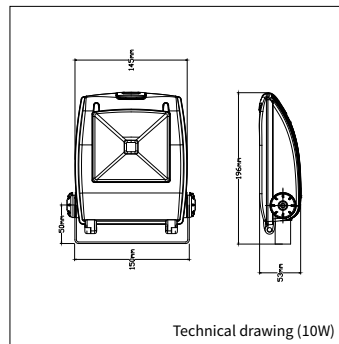
INFORMATION

WARRANTY	3 Years
-----------------	---------

Tempered glass standard

Keylight International reserves the right to modify or change technical, construction or LED specifications due to continuous improvements of our products and lightsources.

FLOOD 10/30/50



ART.NR.	LAMP TYPE	BRAND	LUMINOUS FLUX	OUTPUT POWER	MODULE EFFICIENCY	COLOUR TEMPERATURE	CRI	TC LIFETIME
8016.930.93.5	LED	Epistar	900LM	10W	90LM/W	3000K	>70	30.000 Hrs
8025.930.93.5	LED	Epistar	2700LM	30W	90LM/W	3000K	>85	30.000 Hrs
8032.930.93.5	LED	Epistar	4500LM	50W	90LM/W	3000K	>85	30.000 Hrs



PRODUCT MATERIAL	Die-cast aluminium
LIGHT SOURCE	Street LED
MODULE LIFETIME	Approx. 60.000 hours
LED COOLING	Passive cooling
DRIVER	Incl. Xitanium driver.
COLORS	<ul style="list-style-type: none"> ● 6 = RAL 9006 alu ● 7 = RAL 9007 grey ● 2 = RAL 7138
BEAM ANGLE	Wide angle.
SIZE	200 X 1000 / 1500 / 3000MM

OPTIONS

COLORS	Available in all RAL colours on request Additional price + 10%
---------------	---

INFORMATION

WARRANTY	5 Years
-----------------	---------

Incl. Frosted Glass.

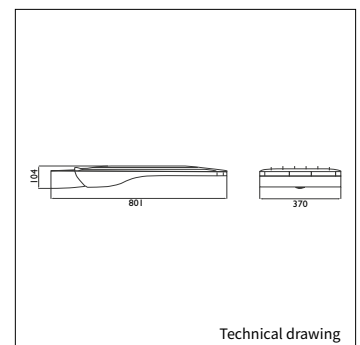
Available with 6 different versions of optic lenses.

Safety class: 1
I.K. 08

Keylight International reserves the right to modify or change technical, construction or LED specifications due to continuous improvements of our products and lightsources. The light source in this product can be replaced with an equivalent module made by Philips, Osram or Tridonic.



EMPIRE



ART.NR.	LAMP TYPE	BRAND	LUMINOUS FLUX	OUTPUT POWER	MODULE EFFICIENCY	COLOUR TEMPERATURE	CRI	TC LIFETIME	POWER FACTOR
8090.300.72.Δ	STREET LED	Philips	10500LM	72W	145LM/W	3000K	>70	50.000 Hrs	>0,9
8090.400.72.Δ	STREET LED	Philips	10500LM	72W	145LM/W	4000K	>70	50.000 Hrs	>0,9
8090.570.72.Δ	STREET LED	Philips	10500LM	72W	145LM/W	5700K	>70	50.000 Hrs	>0,9
8091.300.96.Δ	STREET LED	Philips	14000LM	96W	145LM/W	3000K	>70	50.000 Hrs	>0,9
8091.400.96.Δ	STREET LED	Philips	14000LM	96W	145LM/W	4000K	>70	50.000 Hrs	>0,9
8091.570.96.Δ	STREET LED	Philips	14000LM	96W	145LM/W	5700K	>70	50.000 Hrs	>0,9
8092.400.12.Δ	STREET LED	Philips	17500LM	120W	145LM/W	3000K	>70	50.000 Hrs	>0,9
8092.570.12.Δ	STREET LED	Philips	17500LM	120W	145LM/W	4000K	>70	50.000 Hrs	>0,9
8092.400.12.Δ	STREET LED	Philips	17500LM	120W	145LM/W	5700K	>70	50.000 Hrs	>0,9

SLM & DLM **MODULE INFORMATION**

KEYLIGHT

LIGHT

Technical information concerning the Philips SLM and DLM LED modules. Can't find what you are looking for? Contact our sales department for more information at sales@key-light.nl

FORTIMO DLM MODULE SPECIFICATIONS

FORTIMO DLM EASE SELECT G1

Different lumen output or wattages available on request

DLM	LUMEN	PHILIPS FORTIMO DLM ES G1	HOUSING	LUMINOUS FLUX	MODULE EFFICIENCY	OUTPUT POWER	COLOUR TEMPERATURE	CRI	INPUT VOLTAGE	TC	POWER FACTOR	TC LIFETIME
281	1100	FORTIMO DLM ES 830	Low	1080LM	114LM/W	10W	3000K	80	230V	85°C	>0,9	50.000 Hrs
282	1100	FORTIMO DLM ES 840	Low	1100LM	116LM/W	10W	4000K	80	230V	85°C	>0,9	50.000 Hrs
283	2000	FORTIMO DLM ES 830	Low	1930LM	110LM/W	18W	3000K	80	230V	85°C	>0,9	50.000 Hrs
284	2000	FORTIMO DLM ES 840	Low	2000LM	114LM/W	18W	4000K	80	230V	85°C	>0,9	50.000 Hrs
285	3000	FORTIMO DLM ES 830	Low	2850LM	108LM/W	26.5W	3000K	80	230V	85°C	>0,9	50.000 Hrs
286	3000	FORTIMO DLM ES 840	Low	3000LM	108LM/W	26.5W	4000K	80	230V	85°C	>0,9	50.000 Hrs

! High efficiency is the standard Keylight setting for all DLM G1 LED modules.

FORTIMO DLM FLEX G2

Different lumen output or wattages available on request

DLM	LUMEN	PHILIPS FORTIMO DLM G2	HOUSING	LUMINOUS FLUX	MODULE EFFICIENCY	OUTPUT POWER	COLOUR TEMPERATURE	CRI	INPUT VOLTAGE	TC	POWER FACTOR	TC LIFETIME
101	1100	DLM FLEX 830 G2	Low	1075LM	115LM/W	9.8W	3000K	80	34V	85°C	>0,9	60.000 Hrs
102	1100	DLM FLEX 840 G2	Low	1075LM	127LM/W	8.6W	4000K	80	34V	85°C	>0,9	60.000 Hrs
103	2000	DLM FLEX 830 G2	Low	1954LM	113LM/W	17.6W	3000K	80	34V	85°C	>0,9	60.000 Hrs
104	2000	DLM FLEX 840 G2	Low	1954LM	125LM/W	16.0W	4000K	80	34V	85°C	>0,9	60.000 Hrs
105	3000	DLM FLEX 830 G2	Low	2931LM	115LM/W	26.8W	3000K	80	34V	85°C	>0,9	60.000 Hrs
106	3000	DLM FLEX 840 G2	Low	2931LM	127LM/W	23.4W	4000K	80	34V	85°C	>0,9	60.000 Hrs

! High efficiency is the standard Keylight setting for all DLM G2 LED modules.

FORTIMO DLM FLEX G2

Different lumen output or wattages available on request

DLM	LUMEN	PHILIPS FORTIMO DLM G2	HOUSING	LUMINOUS FLUX	MODULE EFFICIENCY	OUTPUT POWER	COLOUR TEMPERATURE	CRI	INPUT VOLTAGE	TC	POWER FACTOR	TC LIFETIME
201	1100	DLM FLEX 840 G2	High	1074LM	93LM/W	11.7W	3000K	80	35V	85°C	>0,9	60.000 Hrs
202	1100	DLM FLEX 840 G2	High	1075LM	104LM/W	10.5W	4000K	80	35V	85°C	>0,9	60.000 Hrs
203	2000	DLM FLEX 840 G2	High	2000LM	91LM/W	22W	3000K	80	35V	85°C	>0,9	60.000 Hrs
204	2000	DLM FLEX 840 G2	High	2000LM	102LM/W	19.5W	4000K	80	35V	85°C	>0,9	60.000 Hrs
205	3000	DLM FLEX 840 G2	High	3000LM	94LM/W	32W	3000K	80	35V	85°C	>0,9	60.000 Hrs
206	3000	DLM FLEX 840 G2	High	3000LM	105LM/W	28.5W	4000K	80	35V	85°C	>0,9	60.000 Hrs

! High efficiency is the standard Keylight setting for all DLM G2 LED modules.

Fortimo DLM EaseSelect G1 (low housing)



Fortimo DLM Flex (low housing)



Fortimo DLM Flex (high housing)



FORTIMO DLM MODULE INFORMATION

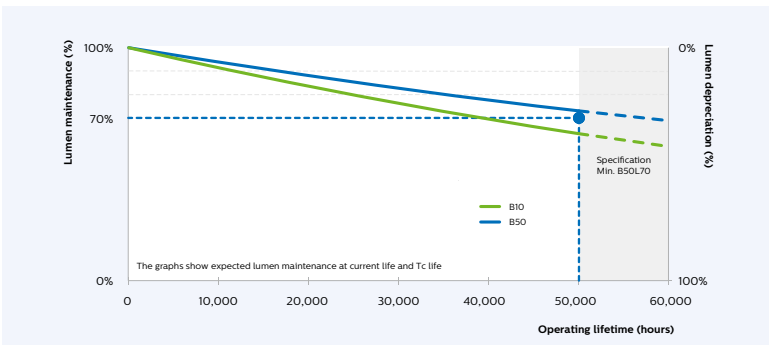
DLM EaseSelect Fortimo

Fortimo DLM EaseSelect is a high performance driver on board (DoB) solution, delivering an excellent quality of light with low flicker. Having an integrated driver and the same mechanical footprint as existing DLM solutions (DLM Flex).

DLM EaseSelect Fortimo

Lumen depreciation in operating hours	L70B50 @ 50Khrs @ Tc life=70°C
lifetime	C10 @ 50Khrs @ Tc life=70°C
Average operating time per year for warranty	4000 hours
Average number of on/off switching cycles over lifetime for warranty	3 cycles/day

DLM EaseSelect Fortimo Lumen Maintenance



Fortimo LED DLM Flex Gen2

The new Fortimo LED DLM Flex Gen2 offers you improved efficacy and best in class lumen maintenance performance. It is the unique solution for better Total Cost of Ownership results. And thanks to its robust design, Fortimo LED DLM Flex Gen2 also offers you the possibility to choose for high lumen output with minimum impact on the lifetime performance.

Key features and benefits

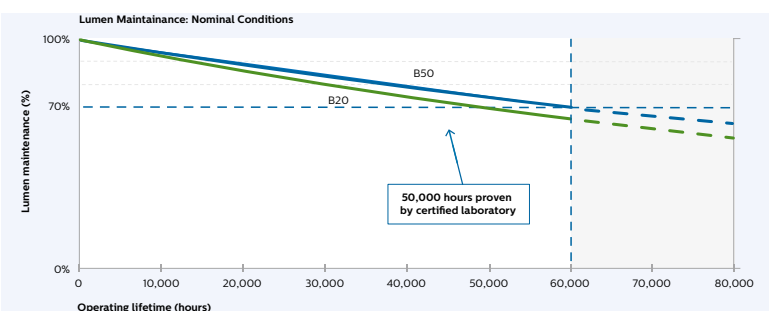
- Low flicker (<30%)
- High system efficacy of up to 115 lm/W
- Long life-time: 50,000 hours
- Excellent color consistency of 3 SDCM
- Full portfolio with all typical downlight lumen packages and CCTs
- 5 years system warranty



DLM Flex Lumen Maintenance

L70B50 @ 60,000 hours

The quality of the LED DLM Flex Gen2 portfolio is backed by the Philips' claim of B50L70 @ 60,000 hours. This means that at 60,000 hours of operation at least 50% of the LEDs' population will emit at least 70% of its original amount of lumens. This is contrary to conventional light sources, where some time after Service Life Hours the conventional light source emits no light at all.



Warranty conditions

System warranty

Five years system warranty. Over 50,000 hours lifetime.

Xitanium LED Drivers:

Five years warranty, driver lifetime 50,000 Hours.

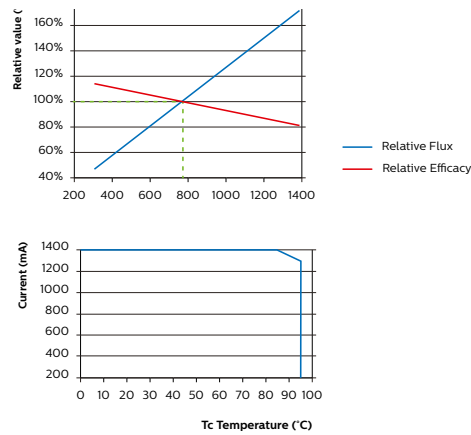
Dimmable DALI Option.
POWER FACTOR ≥ 0,9

FORTIMO SLM G6 MODULE INFORMATION

Effect of Choosing a different current value

Effect of Choosing a different current value. In case the customer chooses to set the current (either by programming or by applying an Rset resistor) other than nominal, the lifetime and reliability of the LED SLM must be taken into account. The following current regions can be distinguished:

- Current < nominal current* (mA)
 - Efficacy (lm/W) higher than nominal value
lumen output (lm) lower than nominal value
 - Lifetime > 50,000 hours
- Current between nominal current and absolute maximum current** (mA).
Your warranty may be affected in this case.
 - Efficacy (lm/W) lower than nominal value lumen output (lm) higher than nominal value
 - Lifetime may be < 50,000 hours
- Current > absolute maximum current: do not exceed the absolute maximum current as this can lead your LED SLM module to failure. No warranty applicable in this case.



The range consists a wide selection of of Chip-on-Board (CoB) products:

- Standard versions** in various lumen packages and colours; on the black body line.
- Premium White** in various lumen packages and colours; below the black body line providing an improved white perception.
- SLM CrispWhite:** An optimized spectrum for retail, providing intense whites and rich colours.
- SLM Food Warm White:** A specific spectrum for enhancing the appearance of fresh food.
- SLM Food Premium Red:** A specific spectrum for enhancing the appearance of fresh meat.

The initial purpose of this product is for retail lighting applications, more specifically for e.g. food, furniture and leather. The product is not intended for use in other applications.

Lumen maintenance

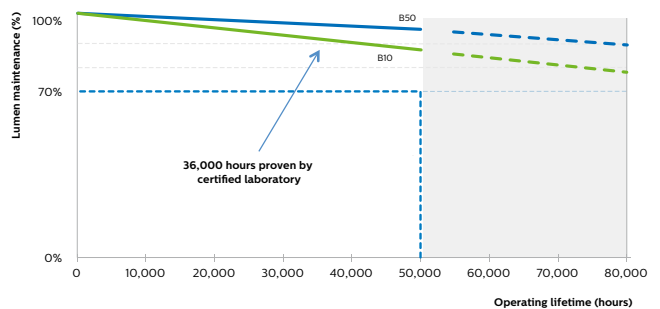
L70B50 @ 50,000 hours

The quality of the LED SLM portfolio is backed by the Philips' claim of B50L70 @ 50,000 hours. This means that at 50,000 hours of operation at least 50% of the LEDs' population will emit at least 70% of its original amount of lumens.

This is contrary to conventional light sources, where some time after Service Life Hours the conventional light source emits no light at all. In this section the example graphs show the estimated lumen depreciation curves for different percentage of the population and at nominal Tc temperatures. The actual data for the LED SLM modules can be found in the associated datasheet at www.Philips.com/Technology.

Average rated life is based on engineering data testing and probability analysis. The Fortimo LED SLM Gen5 modules are specified to reach L70B50 for the nominal specifications.

3000 Lm L15



Example lumen maintenance as a function of operating hours for B10 and B50 at Tc nominal

Warranty conditions

System warranty

Five years system warranty. Over 50,000 hours lifetime.

Xitanium LED Drivers:

Five years warranty, driver lifetime 50,000 Hours.

Dimmable DALI Option.
POWER FACTOR ≥ 0,9



i High efficiency is the standard Keylight setting for all SLM G6 LED modules. For technical and warranty information regarding high efficiency, see page XX. Standard system warranty is 5 years.

Disclaimer

©The above information is copyrighted by Keylight International and may only be used for personal usage. It is strictly forbidden to use the above information for commercial purposes without our permission.

COB ARTICLE INFORMATION

To order the correct product, please replace **COB*** in the article number field with the COB code found on the back of this page.

"0000.COB.00.Δ"*

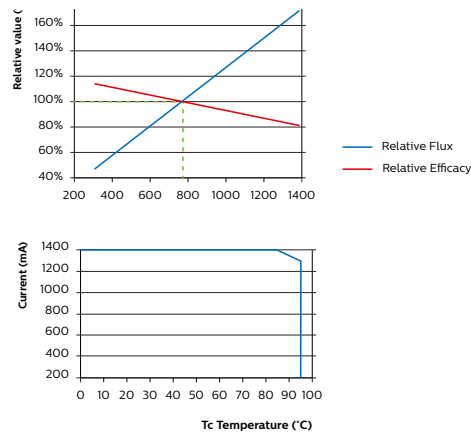


FORTIMO SLM G6 MODULE INFORMATION

Effect of Choosing a different current value

Effect of Choosing a different current value. In case the customer chooses to set the current (either by programming or by applying an Rset resistor) other than nominal, the lifetime and reliability of the LED SLM must be taken into account. The following current regions can be distinguished:

- Current < nominal current* (mA)
 - Efficacy (lm/W) higher than nominal value
lumen output (lm) lower than nominal value
 - Lifetime > 50,000 hours
- Current between nominal current and absolute maximum current** (mA).
Your warranty may be affected in this case.
 - Efficacy (lm/W) lower than nominal value lumen output (lm) higher than nominal value
 - Lifetime may be < 50,000 hours
- Current > absolute maximum current: do not exceed the absolute maximum current as this can lead your LED SLM module to failure. No warranty applicable in this case.



The range consists a wide selection of of Chip-on-Board (CoB) products:

- Standard versions** in various lumen packages and colours; on the black body line.
- Premium White** in various lumen packages and colours; below the black body line providing an improved white perception.
- SLM CrispWhite:** An optimized spectrum for retail, providing intense whites and rich colours.
- SLM Food Warm White:** A specific spectrum for enhancing the appearance of fresh food.
- SLM Food Premium Red:** A specific spectrum for enhancing the appearance of fresh meat.

The initial purpose of this product is for retail lighting applications, more specifically for e.g. food, furniture and leather. The product is not intended for use in other applications.

Lumen maintenance

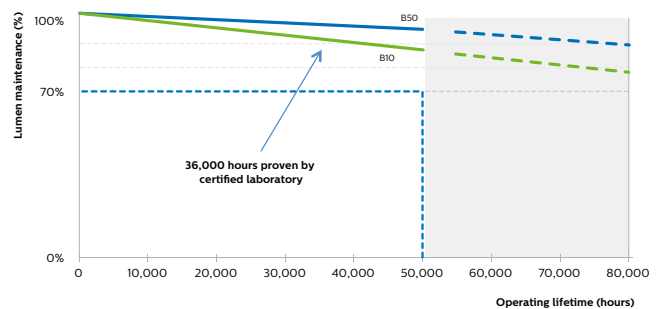
L70B50 @ 50,000 hours

The quality of the LED SLM portfolio is backed by the Philips' claim of B50L70 @ 50,000 hours. This means that at 50,000 hours of operation at least 50% of the LEDs' population will emit at least 70% of its original amount of lumens.

This is contrary to conventional light sources, where some time after Service Life Hours the conventional light source emits no light at all. In this section the example graphs show the estimated lumen depreciation curves for different percentage of the population and at nominal Tc temperatures. The actual data for the LED SLM modules can be found in the associated datasheet at www.Philips.com/Technology.

Average rated life is based on engineering data testing and probability analysis. The Fortimo LED SLM Gen5 modules are specified to reach L70B50 for the nominal specifications.

3000 Lm L15



Example lumen maintenance as a function of operating hours for B10 and B50 at Tc nominal

Warranty conditions

System warranty

Five years system warranty. Over 50,000 hours lifetime.

Xitanium LED Drivers:

Five years warranty, driver lifetime 50,000 Hours.

Dimmable DALI Option.
POWER FACTOR ≥ 0,9



Disclaimer

©The above information is copyrighted by Keylight International and may only be used for personal usage. It is strictly forbidden to use the above information for commercial purposes without our permission.

