



WORK BAY

PRODUCT MATERIAL	Steel, aluminium
LIGHT SOURCE	Tridonic
MODULE LIFETIME	Approx. 50.000 hours
LED COOLING	Passive cooling
DRIVER	Incl. driver
COLORS (Δ)	<ul style="list-style-type: none"> ○ 3 = RAL 9003 white ● 5 = RAL 9005 black ● 6 = RAL 9006 alu
SIZE	515 X 836MM



OPTIONS

COLORS	Available in all RAL colours on request Additional price + 10% Also available: color combinations
---------------	---

INFORMATION

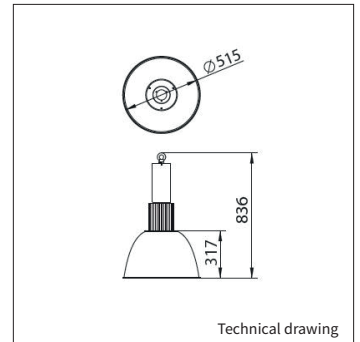
WARRANTY	5 Years
-----------------	---------

Δ = product color code. See colors

1.5m suspension set standard.

Keylight International reserves the right to modify or change technical, construction or LED specifications due to continuous improvements of our products and light sources. The light source in this product can be replaced with an equivalent module made by Philips, Osram or Tridonic.

WORK BAY



Technical drawing

ART.NR.	TYPE	LED TYPE	BRAND	LUMINOUS FLUX	MODULE POWER	MODULE EFFECIENCY	COLOUR TEMPERATURE	CRI	TC LIFETIME
Δ see color									
7516.117.24Δ	S-LED	T.D.	Tridonic	10.000LM	70W	142LM/W	3000K	80	50.000 Hrs
7516.119.24Δ	S-LED	T.D.	Tridonic	10.000LM	70W	142LM/W	4000K	80	50.000 Hrs
7516.128.24Δ	S-LED	T.D.	Tridonic	10.000LM	70W	142LM/W	5000K	80	50.000 Hrs