



WAVE

PRODUCT MATERIAL	Aluminium
LIGHT SOURCE	XM-L
MODULE LIFETIME	Approx. 30.000 hours
LED COOLING	Passive cooling
DRIVER	Incl. driver.
COLORS (Δ)	○ 3 = RAL 9003 white ● 5 = RAL 9005 black
SIZE	120 X 107 X 200MM

OPTIONS

DIMMABLE	Phase-cut 350 mA 10W (build-in) € 55,00 art. no.: 0117.350.10.0
-----------------	--

INFORMATION

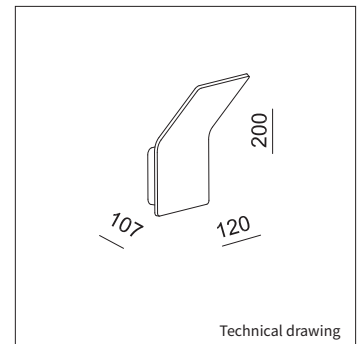
WARRANTY	2 Years
-----------------	---------

Δ = product color code. See colors

Keylight International reserves the right to modify or change technical, construction or LED specifications due to continuous improvements of our products and lightsources.



WAVE



ART.NR.	LAMP TYPE	BRAND	LUMINOUS FLUX	OUTPUT POWER	MODULE EFFICIENCY	COLOUR TEMPERATURE	CRI	TC LIFETIME	mA
6082.990.99.Δ	XM-L	Cree	280LM	4W	70LM/W	2700K	>80	30.000 Hrs	350

Δ see colors