



WALL 17

PRODUCT MATERIAL	Aluminium
LIGHT SOURCE	DLM Flex
MODULE LIFETIME	Approx. 60.000 hours
LED COOLING	Passive cooling
DRIVER DLM	Incl. standard xitanium driver.
COLORS	<ul style="list-style-type: none"> ○ 3 = RAL 9003 white ● 5 = RAL 9005 black ● 6 = RAL 9006 alu
BEAM ANGLE	
ADJUSTABLE	No
SIZE	239 X 245MM

OPTIONS

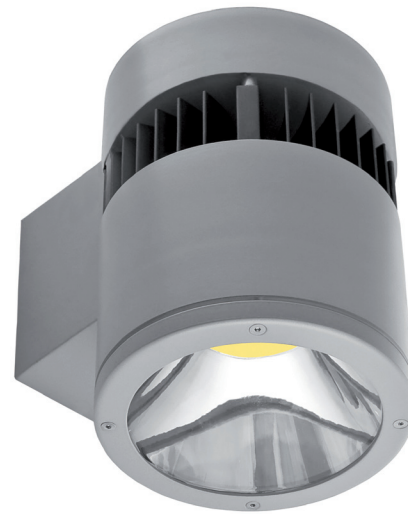
COLORS	Available in all RAL colours on request Additional price + 10%	
DIMMABLE	Dimmable DALI	€ 60,00

INFORMATION

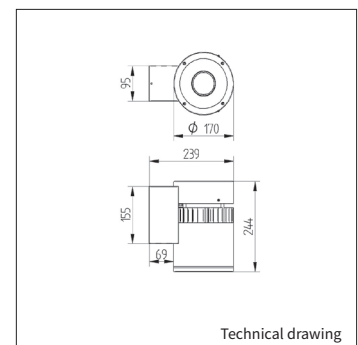
WARRANTY	5 Years
-----------------	---------

Δ see colors

Keylight International reserves the right to modify or change technical, construction or LED specifications due to continuous improvements of our products and lightsources. The light source in this product can be replaced with an equivalent module made by Philips, Osram or Tridonic.



WALL 17



Technical drawing

ART.NR.	LAMP TYPE	BRAND	LUMINOUS FLUX	OUTPUT POWER	MODULE EFFICIENCY	COLOUR TEMPERATURE	CRI	TC LIFETIME	POWER FACTOR
8239.101.60Δ	DLM FLEX 1100	Philips	1100LM	12.3W	90LM/W	3000K	>80	60.000 Hrs	>0,9
8239.102.60Δ	DLM FLEX 1100	Philips	1100LM	11.1W	99LM/W	4000K	>80	60.000 Hrs	>0,9
8239.103.60Δ	DLM FLEX 2000	Philips	2000LM	22.2W	90LM/W	3000K	>80	60.000 Hrs	>0,9
8239.104.60Δ	DLM FLEX 2000	Philips	2000LM	20.1W	100LM/W	4000K	>80	60.000 Hrs	>0,9
8239.105.60Δ	DLM FLEX 3000	Philips	3000LM	33.1W	91LM/W	3000K	>80	60.000 Hrs	>0,9
8239.106.60Δ	DLM FLEX 3000	Philips	3000LM	30.0W	100LM/W	4000K	>80	60.000 Hrs	>0,9

Δ see color

High efficiency is the standard Keylight setting for all DLM G2 LED modules. For technical and warranty information regarding high efficiency, see page 300. Standard system warranty is 5 years.