



WALL 10 UD

PRODUCT MATERIAL	Aluminium
LIGHT SOURCE	GU10 Retrofit
MODULE LIFETIME	Approx. 35.000 hours
LED COOLING	Passive cooling
COLORS (Δ)	<ul style="list-style-type: none"> ○ 3 = RAL 9003 white ● 5 = RAL 9005 black ● 6 = RAL 9006 alu
BEAM ANGLE	
SIZE	L: 182 X B: 136 X D: 100MM



OPTIONS

COLORS	Available in all RAL colours on request. Additional price + 10%
---------------	--

INFORMATION

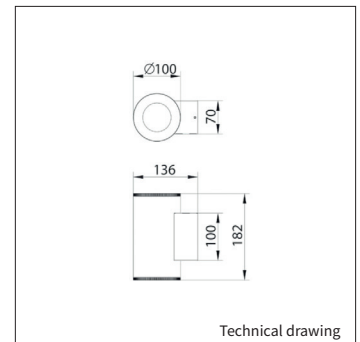
WARRANTY	3 Years
-----------------	---------

Δ = product color code. See colors

Including lightsource

Keylight International reserves the right to modify or change technical, construction or LED specifications due to continuous improvements of our products and lightsources.

WALL 10 UD



Technical drawing

ART.NR.	LAMP TYPE	BRAND	LUMINOUS FLUX	OUTPUT POWER	MODULE EFFICIENCY	COLOUR TEMPERATURE	CRI	TC LIFETIME	BEAM ANGLE
Δ see color									
8100.601.99Δ	MasterLED	Philips	2X 355LM	4,3W	82LM/W	2700K	>80	35.000 Hrs	25°
8100.602.99Δ	MasterLED	Philips	2X 365LM	4,3W	85LM/W	3000K	>80	35.000 Hrs	40°
8100.603.99Δ	MasterLED	Philips	2X 390LM	4,3W	90LM/W	4000K	>80	35.000 Hrs	25°
8100.604.99Δ	MasterLED	Philips	2X 355LM	4,3W	82LM/W	2700K	>80	35.000 Hrs	40°
8100.605.99Δ	MasterLED	Philips	2X 365LM	4,3W	85LM/W	3000K	>80	35.000 Hrs	25°
8100.606.99Δ	MasterLED	Philips	2X 390LM	4,3W	90LM/W	4000K	>80	35.000 Hrs	40°