



PRODUCT MATERIAL	Steel and aluminium
LIGHT SOURCE	LED
MODULE LIFETIME	Approx. 50.000 hours
LED COOLING	Passive cooling
DRIVER	Incl. driver
COLORS (Δ)	<ul style="list-style-type: none"> ○ 3 = RAL 9003 white ● 5 = RAL 9005 black ● 6 = RAL 9006 alu
BEAM ANGLE	WIDEBEAM
SIZE	32 X 184MM



OPTIONS

COLORS	Available in all RAL colours on request. Additional price + 10%
---------------	--------------------------------------------------------------------

INFORMATION

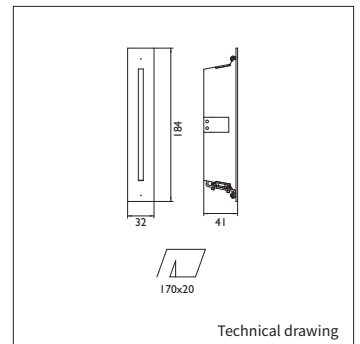
WARRANTY	5 Years
-----------------	---------

Δ = product color code. See colors

Including plasterkit

Keylight International reserves the right to modify or change technical, construction or LED specifications due to continuous improvements of our products and lightsources.

VENTURA



ART.NR.	LAMP TYPE	BRAND	LUMINOUS FLUX	OUTPUT POWER	MODULE EFFICIENCY	COLOUR TEMPERATURE	CRI	TC LIFETIME	POWER FACTOR
6121.100.12.Δ	LED	Keylight	100LM	1,2W	83LM/W	3000K	>80	40.000 Hrs	>0,9