



VAND

PRODUCT MATERIAL	Aluminium case
LIGHT SOURCE	Epistar LED chip
MODULE LIFETIME	Approx. 50.000 Hrs
LED COOLING	Passive cooling
COLORS (Δ)	● 6 = RAL 9006 alu
BEAM ANGLE	Wide beam
SIZE	120 X 88 X 74MM

OPTIONS

SUSPENSION SET	Wire, cable and clips 2000mm art. no.: 4920.933.96.0	€ 7,50
-----------------------	---	--------

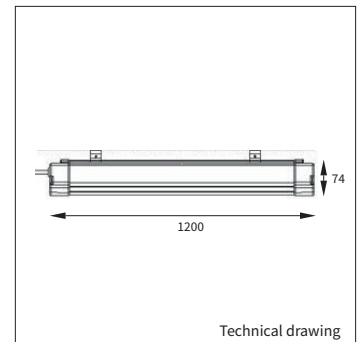
INFORMATION

CLASSIFICATION	Dust proof, damp proof, water proof, corrosion proof, explosion proof (IK10) and impact proof.
OPERATION	Operating temperature -20c to 40c
WARRANTY	5 Years for VAND, 3 years for VAND with EM



VAND

Keylight International reserves the right to modify or change technical, construction or LED specifications due to continuous improvements of our products and light sources. The light source in this product can be replaced with an equivalent module made by Philips, Osram or Tridonic.



Technical drawing

ART.NR.	LAMP TYPE	BRAND	LUMINOUS FLUX	OUTPUT POWER	MODULE EFFICIENCY	COLOUR TEMPERATURE	CRI	TC LIFETIME	POWER FACTOR
5121.120.45.6	SMD 3030	Epistar	4500LM	45W	100LM/W	4000K	>80	50.000 Hrs	>0,9
5121.120.45.6.EM	SMD 3030	Epistar	4500LM	45W	100LM/W	4000K	>80	50.000 Hrs	>0,9