



PRODUCT MATERIAL	Aluminium
LIGHT SOURCE	Philips SMD
MODULE LIFETIME	Approx. 50.000 hours
LED COOLING	Passive cooling
DRIVER	Incl. driver
COLORS	● 5 = RAL 9005 black
SIZE	450 X 410 X 372MM
BEAM ANGLE	



OPTIONS

DIMMABLE	DALI or 10/10v on request
BEAM ANGLE	90° or 120° on request
COLOR TEMPERATURE	3000K, 4000K or 6000K on request
SENSOR	Microwave sensor on request

INFORMATION

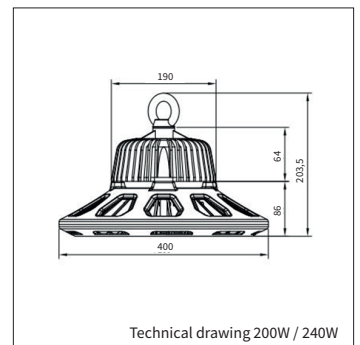
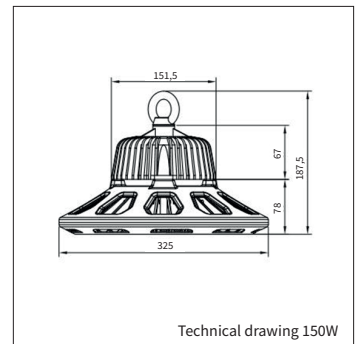
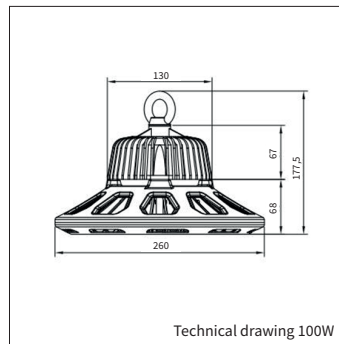
WARRANTY	5 Years
-----------------	---------

UFO

Including power cable

including safety glass

Keylight International reserves the right to modify or change technical, construction or LED specifications due to continuous improvements of our products and lightsources. The light source in this product can be replaced with an equivalent module made by Philips, Osram or Tridonic.



ART.NR.	LAMP TYPE	BRAND	LUMINOUS FLUX	OUTPUT POWER	MODULE EFFICIENCY	COLOUR TEMPERATURE	CRI	TC LIFETIME	POWER FACTOR
Δ see color									
7525.100.60.5	SMD 3030	Philips	12500LM	100W	125LM/W	On request	>75	50.000 Hrs	>0,9
7525.150.60.5	SMD 3030	Philips	18500LM	150W	125LM/W	On request	>75	50.000 Hrs	>0,9
7525.200.60.5	SMD 3030	Philips	25000LM	200W	125LM/W	On request	>75	50.000 Hrs	>0,9
7525.240.60.5	SMD 3030	Philips	30000LM	240W	125LM/W	On request	>75	50.000 Hrs	>0,9