



**UDO 19 SF**

<b>PRODUCT MATERIAL</b>	Aluminium
<b>LIGHT SOURCE</b>	GU10 Retrofit
<b>MODULE LIFETIME</b>	Approx. 35.000 hours
<b>LED COOLING</b>	Passive cooling
<b>COLORS (Δ)</b>	<ul style="list-style-type: none"> <li>○ 3 = RAL 9003 white</li> <li>● 5 = RAL 9005 black</li> <li>● 6 = RAL 9006 alu</li> </ul>
<b>BEAM ANGLE</b>	<ul style="list-style-type: none"> <li>▲ 25°</li> <li>▲ 40°</li> </ul>
<b>SIZE</b>	141 X 230MM



**OPTIONS**

<b>COLORS</b>	Available in all RAL colours on request. Additional price + 10%
---------------	--

**INFORMATION**

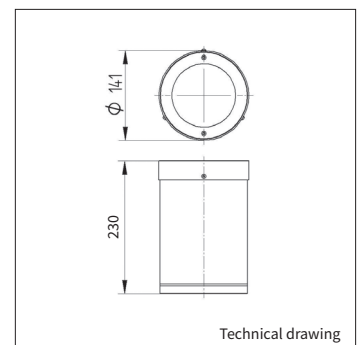
<b>WARRANTY</b>	5 Years
-----------------	---------

Δ = product color code. See colors

**Including lightsource**

Keylight International reserves the right to modify or change technical, construction or LED specifications due to continuous improvements of our products and lightsources. The light source in this product can be replaced with an equivalent module made by Philips, Osram or Tridonic.

UDO 19 SF



Technical drawing

ART.NR.	LAMP TYPE	BRAND	LUMINOUS FLUX	OUTPUT POWER	MODULE EFFICIENCY	COLOUR TEMPERATURE	CRI	TC LIFETIME	POWER FACTOR
Δ see color									
8141.601.99Δ	Masterled	Philips	355LM	4,3W	82LM/W	2700K	>80	35.000 Hrs	25°
8141.602.99Δ	Masterled	Philips	365LM	4,3W	85LM/W	3000K	>80	35.000 Hrs	40°
8141.603.99Δ	Masterled	Philips	390LM	4,3W	90LM/W	4000K	>80	35.000 Hrs	25°
8141.604.99Δ	Masterled	Philips	355LM	4,3W	82LM/W	2700K	>80	35.000 Hrs	40°
8141.605.99Δ	Masterled	Philips	365LM	4,3W	85LM/W	3000K	>80	35.000 Hrs	25°
8141.606.99Δ	Masterled	Philips	390LM	4,3W	90LM/W	4000K	>80	35.000 Hrs	40°