



TRIMLESS RM 1



PRODUCT MATERIAL	Steel
LIGHT SOURCE	LMR50 / Mr16 / Gu10
DRIVER	LMR50 includes a driver
COLORS (Δ)	<ul style="list-style-type: none"> ○ 3 = RAL 9003 white ● 77 = RAL 7037 Light grey ● 7 = RAL 7043 Antracit ● 5 = RAL 9005 black
BEAM ANGLE	20°
ADJUSTABLE	Yes
SIZE	115 X 115 X 80MM



OPTIONS

COLORS	The standard colors, as stated above, can be combined with the fixture inside/outside. No additional price. Available in all RAL colours and combinations on request. Additional price + 10%	
DIMMABLE DRIVERS <small>IN COMBINATION WITH THIS LUMINAIRE. ADDITIONAL PRICE.</small>	1/10v Dimmable 350mA 10W art. no.: 0110.350.10.1	€ 29,50
	Phase-cut Dimmable 350mA 10W art. no.: 0110.350.10.1	€ 29,50
	Dimmable DALI 350mA 18W art. no.: 0118.350.15.1	€ 55,00
GLASS COVER CLEAR	Glass IP44 art. no.: 0053.999.99.0	€ 7,50

INFORMATION

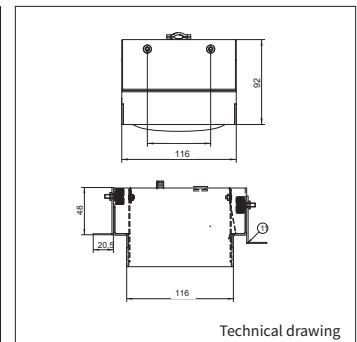
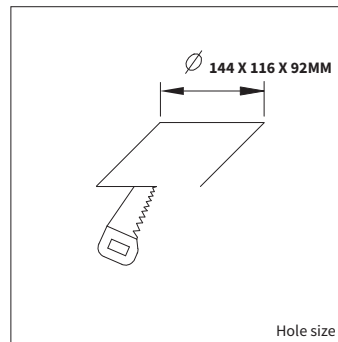
- Only luminaire body, lightsource and/or driver excluded.
- LMR includes a driver, cable and plug.
- LMR **Dim to Warm** includes a dimmable driver, cable and plug.

Triple or quadruple luminaire available on request

Keylight International reserves the right to modify or change technical, construction or LED specifications due to continuous improvements of our products and lightsources.



TRIMLESS RM 1



ART.NR.	LAMP TYPE	BRAND	LUMINOUS FLUX	OUTPUT POWER	MODULE EFFICIENCY	COLOUR TEMPERATURE	CRI	TC LIFETIME	BEAM ANGLE	mA
Δ see colors										
4615.001.98.Δ	MR16	~	~	Max. 50W	~	~	~	~	~	~
4615.002.98.Δ	Gu10	~	~	Max. 50W	~	~	~	~	~	~
4615.171.20.Δ	LMR50	Bridgelux V6	575LM	6,8W	85LM/W	2700K	>90	30.000 Hrs	20°	350
4615.172.30.Δ	LMR50	Bridgelux V6	575LM	6,8W	85LM/W	2700K	>90	30.000 Hrs	30°	350
4615.173.20.Δ	LMR50	Bridgelux V6	600LM	6,8W	88LM/W	3000K	>90	30.000 Hrs	20°	350
4615.174.30.Δ	LMR50	Bridgelux V6	600LM	6,8W	88LM/W	3000K	>90	30.000 Hrs	30°	350
4615.175.20.Δ	LMR50	Sharp GW6	563LM	6,6W	85LM/W	2000 - 2800K	>80	30.000 Hrs	20°	350
4615.176.30.Δ	LMR50	Sharp GW6	563LM	6,6W	85LM/W	2000 - 2800K	>80	30.000 Hrs	30°	350