



SUNSET

PRODUCT MATERIAL	Aluminium + glass	
LIGHT SOURCE	M-Zenigata	
MODULE LIFETIME	Approx. 30.000 hours	
LED COOLING	Passive cooling	
DRIVER	Incl. driver.	
COLORS (Δ)	○	3 = RAL 9003 white
	● + ●	59 = 9005 black. Gold inside
SIZE	175 X 80 X 90MM	

OPTIONS

DIMMABLE	Phase-cut 700mA (build-in) art. no.: 0350.700.99.9	€ 55,00
-----------------	-------------------------------------------------------	---------

INFORMATION

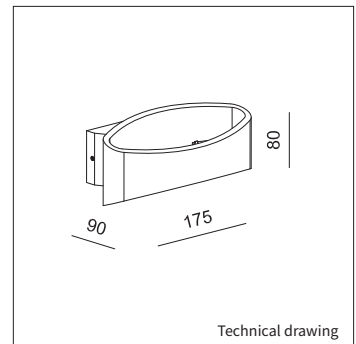
WARRANTY	2 Years
-----------------	---------

Δ = product color code. See colors

Keylight International reserves the right to modify or change technical, construction or LED specifications due to continuous improvements of our products and lightsources.



SUNSET



ART.NR.	LAMP TYPE	BRAND	LUMINOUS FLUX	OUTPUT POWER	MODULE EFFICIENCY	COLOUR TEMPERATURE	CRI	TC LIFETIME	mA
Δ see colors									
6021.999.99Δ	M-Zenigata	Sharp	380LM	5W	76LM/W	2700K	>80	30.000 Hrs	700