

STAR 18 / 28



PRODUCT MATERIAL	Die-cast aluminium
LIGHT SOURCE	LED
MODULE LIFETIME	Approx. 30.000 hours
LED COOLING	Passive cooling
DRIVER	Incl. driver.
COLORS (Δ)	○ 3 = RAL 9003 white
BEAM ANGLE	120°
ADJUSTABLE	No
SIZE STAR 18	178 X 17MM
SIZE STAR 28	237 X 17MM



OPTIONS

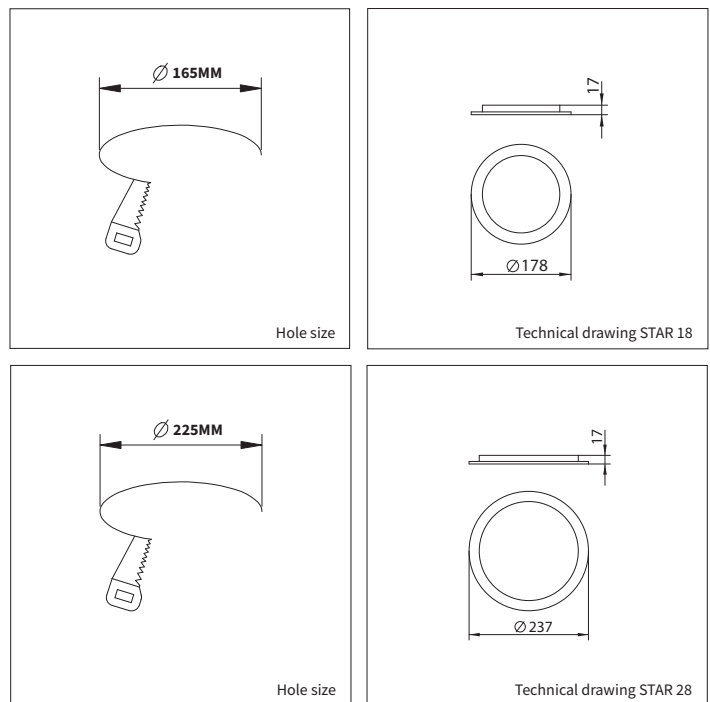
COLORS	White
---------------	-------

INFORMATION

Δ = product color code. See colors

Keylight International reserves the right to modify or change technical, construction or LED specifications due to continuous improvements of our products and lightsources.

STAR 18 / 28



ART.NR.	LAMP TYPE	BRAND	LUMINOUS FLUX	OUTPUT POWER	MODULE EFFICIENCY	COLOUR TEMPERATURE	CRI	TC LIFETIME	POWER FACTOR
STAR 18									
4178.910.91.3	LED	TW	800LM	13W	60LM/W	3000K	>80	35.000 Hrs	>09,
4178.911.91.3	LED	TW	800LM	13W	60LM/W	4000K	>80	35.000 Hrs	>09,
STAR 28									
4237.910.91.3	LED	TW	1500LM	20W	75LM/W	3000K	>80	30.000 Hrs	>09,
4237.911.91.3	LED	TW	1500LM	20W	75LM/W	4000K	>80	30.000 Hrs	>09,