



PRODUCT MATERIAL	Die-cast aluminium
ADAPTER	1-phase or 3-phase
LIGHT SOURCE	Fortimo SLM G6
MODULE LIFETIME	Approx. 50.000 hours
LED COOLING	Passive cooling
DRIVER	Incl. xitanium driver
COLORS (Δ)	○ 3 = RAL 9003 white ● 5 = RAL 9005 black
BEAM ANGLE	27°
ADJUSTABLE	Horizontally and vertically rotational
SIZE	85 X 140MM



OPTIONS

OPTIONAL BEAM ANGLES	21°	art. no.:3030.021.00.0	€ 5,00
	45°	art. no.:3030.045.00.0	€ 5,00
DIMMABLE	Dali dimmable		€ 75,00
1F ADAPTER*	3030.101.01.Δ		incl.
3F ADAPTER*	3030.303.03.Δ		incl.

SOYUZ

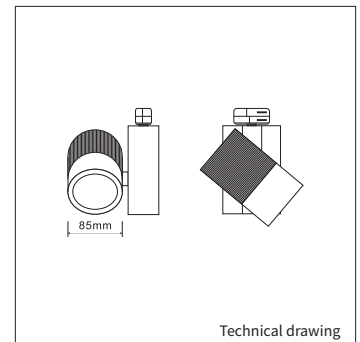
INFORMATION

WARRANTY	5 Years
-----------------	---------

Δ = product color code. See colors

* When ordering this luminaire, please order either a 1F adapter or a 3F adapter with the article number.

Keylight International reserves the right to modify or change technical, construction or LED specifications due to continuous improvements of our products and light sources. The light source in this product can be replaced with an equivalent module made by Philips, Osram or Tridonic.



AVAILABLE SLM OPTIONS

To order the correct product, please replace **COB*** in the article number field with the COB code found on the last page of the catalogue

ARTICLE NUMBER Δ See colors	LUMINOUS FLUX	BRAND	OUTPUT POWER	COLOUR TEMPERATURE	CRI	SETTING	POWER FACTOR
3030. COB* .27.Δ	1100	Philips SLM G6	7W	827 / 830 / 835 / 840 / 850	>80	High Efficiency	>0,9
3030. COB* .27.Δ	1100	Philips SLM G6	8W	927 / 930	>90	High Efficiency	>0,9
3030. COB* .27.Δ	1100	Philips SLM G6	7W	830 Premium White	>80	High Efficiency	>0,9
3030. COB* .27.Δ	1100	Philips SLM G6	8W	930 / 935 / 940 Premium White	>90	High Efficiency	>0,9
3030. COB* .27.Δ	1100	Philips SLM G6	10W	930 Crisp White (930 CW)	>90	High Efficiency	>0,9
3030. COB* .27.Δ	1100	Philips SLM G6	11W	Food Warm White (FWW)	84	High Efficiency	>0,9
3030. COB* .27.Δ	1100	Philips SLM G6	11W	Food Premium Red (FPR)	88	High Efficiency	>0,9
3030. COB* .27.Δ	2000	Philips SLM G6	13W	827 / 830 / 835 / 840 / 850	>80	High Efficiency	>0,9
3030. COB* .27.Δ	2000	Philips SLM G6	17W	927 / 930	>90	High Efficiency	>0,9
3030. COB* .27.Δ	2000	Philips SLM G6	14W	830 Premium White	>80	High Efficiency	>0,9
3030. COB* .27.Δ	2000	Philips SLM G6	16W	930 / 935 / 940 Premium White	>90	High Efficiency	>0,9
3030. COB* .27.Δ	2000	Philips SLM G6	21W	930 Crisp White (930 CW)	>90	High Efficiency	>0,9
3030. COB* .27.Δ	2000	Philips SLM G6	23W	Food Warm White (FWW)	84	High Efficiency	>0,9
3030. COB* .27.Δ	2000	Philips SLM G6	22W	Food Premium Red (FPR)	88	High Efficiency	>0,9
3030. COB* .27.Δ	3000	Philips SLM G6	19W	827 / 830 / 835 / 840 / 850 / 857	>80	High Efficiency	>0,9
3030. COB* .27.Δ	3000	Philips SLM G6	26W	927 / 930	>90	High Efficiency	>0,9
3030. COB* .27.Δ	3000	Philips SLM G6	20W	830 Premium White	>80	High Efficiency	>0,9
3030. COB* .27.Δ	3000	Philips SLM G6	25W	930 / 935 / 940 Premium White	>90	High Efficiency	>0,9
3030. COB* .27.Δ	3000	Philips SLM G6	32W	930 Crisp White (930 CW)	>90	High Efficiency	>0,9
3030. COB* .27.Δ	4500	Philips SLM G6	29W	827 / 830 / 835 / 840 / 850 / 857	>80	High Efficiency	>0,9
3030. COB* .27.Δ	4500	Philips SLM G6	30W	830 Premium White	>80	High Efficiency	>0,9

! High efficiency is the standard Keylight setting for all SLM G6 LED modules. For technical and warranty information regarding high efficiency, see last page of the catalogue. Standard system warranty is 5 years.