



SLOPE

PRODUCT MATERIAL	Aluminium
LIGHT SOURCE	GU10 Retrofit
MODULE LIFETIME	Approx.35.000 hours
LED COOLING	Passive cooling
COLORS (Δ)	● 6 = RAL 9007 grey
BEAM ANGLE	▲ 25° ▲ 40°
SIZE	150 X 125 X 88MM

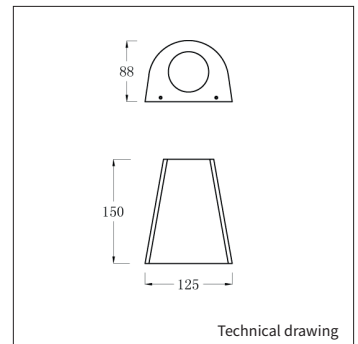
INFORMATION

LIGHTSOURCE	Incl. lightsource. Standard phase-cut dim.
WARRANTY	3 Years

Keylight International reserves the right to modify or change technical, construction or LED specifications due to continuous improvements of our products and lightsources.



SLOPE



ART.NR.	LAMP TYPE	BRAND	LUMINOUS FLUX	OUTPUT POWER	MODULE EFFICIENCY	COLOUR TEMPERATURE	CRI	TC LIFETIME	BEAM ANGLE
Δ see color									
8085.601.99.7	Masterled	Philips	355LM	4,3W	82LM/W	2700K	>80	35.000 Hrs	25°
8085.602.99.7	Masterled	Philips	365LM	4,3W	85LM/W	3000K	>80	35.000 Hrs	40°
8085.603.99.7	Masterled	Philips	390LM	4,3W	90LM/W	4000K	>80	35.000 Hrs	25°
8085.604.99.7	Masterled	Philips	355LM	4,3W	82LM/W	2700K	>80	35.000 Hrs	40°
8085.605.99.7	Masterled	Philips	365LM	4,3W	85LM/W	3000K	>80	35.000 Hrs	25°
8085.606.99.7	Masterled	Philips	390LM	4,3W	90LM/W	4000K	>80	35.000 Hrs	40°