



PRODUCT MATERIAL	Aluminium
LIGHT SOURCE	LED / DTW / Retrofit Gu10
LED LIFETIME	Approx. 35.000 hours
LED COOLING	Passive cooling
COLORS (Δ)	<ul style="list-style-type: none"> ○ 3 = RAL 9003 white ● 5 = RAL 9005 black ● 6 = RAL 9006 alu
BEAM ANGLE	<ul style="list-style-type: none"> ▲ 25° ▲ 40°
BEAM ANGLE (DTW)	▲ 30°
ADJUSTABLE	350°
ADJUSTABLE HEAD	90°
SIZE	110 X 112MM



OPTIONS

REFLECTOR RING	Gold reflector ring art. no.: 5019.922.99.9	€ 9,50
-----------------------	--	--------

INFORMATION

WARRANTY	3 Years
-----------------	---------

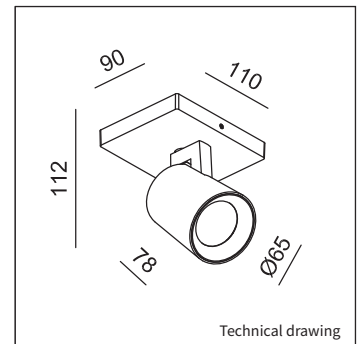
Δ = product color code. See colors

Including Philips lightsource or DTW

Including standard black reflector ring

Keylight International reserves the right to modify or change technical, construction or LED specifications due to continuous improvements of our products and lightsources.

SKINA 1



Technical drawing



Reflector ring

ART.NR.	LAMP TYPE	BRAND	LUMINOUS FLUX	OUTPUT POWER	MODULE EFFICIENCY	COLOUR TEMPERATURE	CRI	TC LIFETIME	BEAM ANGLE
Δ see color									
5033.175.30.Δ	DTW	KL	305LM	5W	61LM/W	2000/3000K	DTW >90	30.000 Hrs	30°
5033.272.25.Δ	MasterLED	Philips	272LM	4W	68LM/W	2700K	>90	50.000 Hrs	25°
5033.279.40.Δ	MasterLED	Philips	279LM	4W	68LM/W	2700K	>90	50.000 Hrs	40°
5033.282.25.Δ	MasterLED	Philips	282LM	4W	70LM/W	3000K	>90	50.000 Hrs	25°
5033.290.40.Δ	MasterLED	Philips	290LM	4W	72LM/W	3000K	>90	50.000 Hrs	40°