



SHELL

PRODUCT MATERIAL	Steel and aluminium
LIGHT SOURCE	E27 Retrofit
MODULE LIFETIME	Approx. 40.000 hours
LED COOLING	Passive cooling
COLORS (Δ)	○ + ● 35= RAL 9003 + 9005
ADJUSTABLE	No
SIZE	720 X 720 X 155MM

OPTIONS

COLORS	Available in all RAL colours combinations on request. Additional price + 10%
COLOR INSIDE ON REQUEST	<ul style="list-style-type: none"> ● Gold ○ White ● Black ● Aluminium color ● Custom color on request

INFORMATION

WARRANTY	5 Years
-----------------	---------

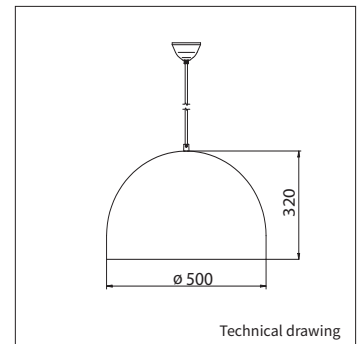
Δ see colors

1.5m suspension set standard.

Keylight International reserves the right to modify or change technical, construction or LED specifications due to continuous improvements of our products and light sources. The light source in this product can be replaced with an equivalent module made by Philips, Osram or Tridonic.



SHELL



Technical drawing

ART.NR.	LAMP TYPE	BRAND	LIGHT OUTPUT	MODULE POWER	MODULE EFFICIENCY	CORRELATED COLOUR TEMPERATURE	COLOUR RENDERING INDEX	TC LIFE
Δ see color								
7028.196.91Δ	E27	KL	650LM	75W	N/A	2700K	>80	40.000Hrs
7028.197.91Δ	E27	KL	750LM	75W	N/A	4000K	>80	40.000Hrs
7028.198.91Δ	E27	KL	1000LM	100W	N/A	2700K	>80	40.000Hrs