



QUASAR 10-2

PRODUCT MATERIAL	Aluminium
LIGHT SOURCE	MR16/Gu10 LED / LMR50
DRIVER	LMR 50 includes a driver
COLORS	<ul style="list-style-type: none"> ○ 3 = RAL 9003 white ● 5 = RAL 9005 black ● 6 = RAL 9006 alu
BEAM ANGLE	
ADJUSTABLE	Yes
SIZE	200 X 100 X 50/60MM



OPTIONS

GLASS COVER CLEAR	Glass IP44 art. no.: 0053.999.99.0	€ 15,00
GLASS FILTER	Filter 2400K glass art. no.: 4006.999.27.0	€ 60,00
DIMMABLE DRIVERS <i>IN COMBINATION WITH THIS LUMINAIRE. ADDITIONAL PRICE.</i>	1/10v Dimmable 350mA 20W art. no.: 0137.110.20.0	€ 63,00
	Phase-cut Dimmable 350mA 18W art. no.: 0115.350.18.1	€ 29,00
	Dimmable DALI 350mA 18W art. no.: 0118.350.75.0	€ 55,00

INFORMATION

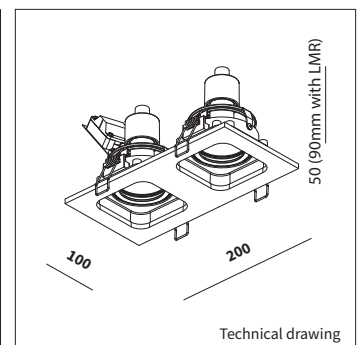
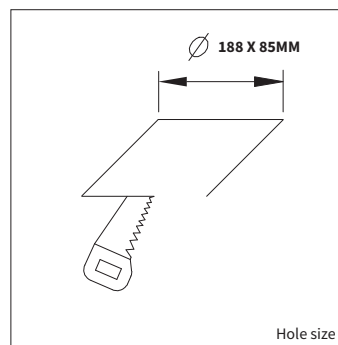
! Only luminaire body, lightsource and/or driver excluded.

LMR includes a driver, cable and plug.

LMR **Dim to Warm** includes a dimmable driver, cable and plug.

Keylight International reserves the right to modify or change technical, construction or LED specifications due to continuous improvements of our products and lightsources.

QUASAR 10-2



ART.NR.	LAMP TYPE	BRAND	LUMINOUS FLUX	OUTPUT POWER	MODULE EFFICIENCY	COLOUR TEMPERATURE	CRI	TC LIFETIME	BEAM ANGLE	mA
Δ see colors										
! 4907.001.98.Δ	MR16	~	~	Max. 50W	~	~	~	~	~	~
! 4907.002.98.Δ	Gu10	~	~	Max. 50W	~	~	~	~	~	~
4907.171.20.Δ	LMR50	Bridgelux V6	2x 575LM	2x 6,8W	2x 85LM/W	2x 2700K	>90	30.000 Hrs	20°	350
4907.172.30.Δ	LMR50	Bridgelux V6	2x 575LM	2x 6,8W	2x 85LM/W	2x 2700K	>90	30.000 Hrs	30°	350
4907.173.20.Δ	LMR50	Bridgelux V6	2x 600LM	2x 6,8W	2x 88LM/W	2x 3000K	>90	30.000 Hrs	20°	350
4907.174.30.Δ	LMR50	Bridgelux V6	2x 600LM	2x 6,8W	2x 88LM/W	2x 3000K	>90	30.000 Hrs	30°	350
4907.175.20.Δ	LMR50	Sharp GW6	2x 563LM	2x 6,6W	2x 85LM/W	2X 2000 - 2800K DTW	>80	30.000 Hrs	20°	350
4907.176.30.Δ	LMR50	Sharp GW6	2x 563LM	2x 6,6W	2x 85LM/W	2X 2000 - 2800K DTW	>80	30.000 Hrs	30°	350