



POLAR 60



| | |
|-------------------------|--|
| PRODUCT MATERIAL | Steel and aluminium |
| LIGHT SOURCE | Philips LEDLine |
| MODULE LIFETIME | Approx. 50.000 hours |
| LED COOLING | Passive cooling |
| DRIVER | Incl. standard Philips driver. |
| COLORS (Δ) | <ul style="list-style-type: none"> ○ 3 = RAL 9003 white ● 5 = RAL 9005 black ● 6 = RAL 9006 alu |
| REFLECTOR PLATE | Opal diffuser |
| ADJUSTABLE | No |
| SIZE | 650 X 90MM |



OPTIONS

| | | | |
|--------------------------|---|---|--------|
| COLORS | Available in all RAL colours on request | | |
| | Additional price + 10% | | |
| EMERGENCY BALLAST | 0187.003.01 1 - 3 hours. | € | 180,00 |
| DIMMABLE | Dimmable DALI | € | 60,00 |

POLAR 60

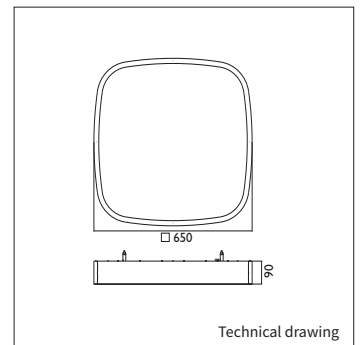
INFORMATION

| | |
|-----------------|---------|
| WARRANTY | 5 Years |
|-----------------|---------|

Δ see colors

1.5m suspension set standard.

Keylight International reserves the right to modify or change technical, construction or LED specifications due to continuous improvements of our products and lightsources. The light source in this product can be replaced with an equivalent module made by Philips, Osram or Tridonic.



| ARTICLE NO. | LAMP TYPE | BRAND | LIGHT OUTPUT | MODULE POWER | MODULE EFFICIENCY | CORRELATED COLOUR TEMPERATURE | COLOUR RENDERING INDEX | TC LIFE | POWER FACTOR |
|--------------|-----------|---------|--------------|--------------|-------------------|-------------------------------|------------------------|---------|--------------|
| 7651.195.91Δ | LEDLine | Philips | 5000LM | 32W | 156LM/W | 3000K | >80 | 50.000 | >0,9 |
| 7651.196.91Δ | LEDLine | Philips | 5000LM | 32W | 156LM/W | 4000K | >80 | 50.000 | >0,9 |