



PLUTO 20

| | |
|-------------------------|--|
| PRODUCT MATERIAL | Die-cast aluminium |
| LIGHT SOURCE | DLM Flex |
| MODULE LIFETIME | Approx. 60.000 hours |
| LED COOLING | Passive cooling |
| DRIVER DLM | Incl. standard xitanium driver. |
| COLORS (Δ) | ○ 3 = RAL 9003 white ● 5 = RAL 9005 black ● 6 = RAL 9006 alu |
| BEAM ANGLE | 60° |
| ADJUSTABLE | No |
| SIZE | 197 X 165MM |



OPTIONS

| | | |
|--------------------------|--------------------|----------|
| EMERGENCY BALLAST | 0187.003.00 1 hour | € 180,00 |
| DIMMABLE | Dimmable DALI | € 60,00 |

PLUTO 20

INFORMATION

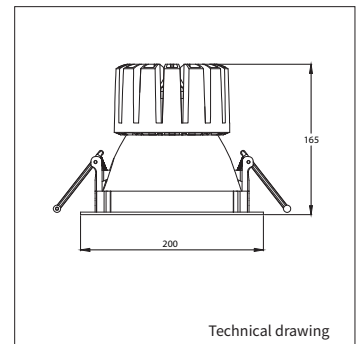
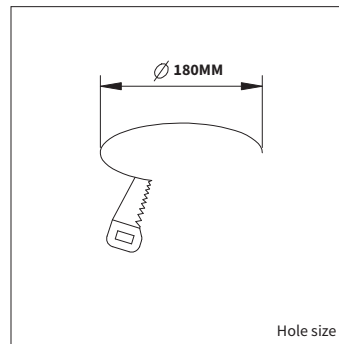
| | |
|-----------------|----------|
| WARRANTY | 5 Years. |
|-----------------|----------|

Δ = product color code. See colors

Incl. 1.5m cable and plug.

High Housing

Keylight International reserves the right to modify or change technical, construction or LED specifications due to continuous improvements of our products and lightsources. The light source in this product can be replaced with an equivalent module made by Philips, Osram or Tridonic.



FORTIMO DLM FLEX G2

Different lumen output or wattages available on request

| ART.NR. | LUMEN | PHILIPS FORTIMO DLM G2 | HOUSING | LUMINOUS FLUX | MODULE EFFICIENCY | OUTPUT POWER | COLOUR TEMPERATURE | CRI | INPUT VOLTAGE | TC | POWER FACTOR | TC LIFETIME |
|---------------|-------|------------------------|---------|---------------|-------------------|--------------|--------------------|-----|---------------|------|--------------|-------------|
| 4175.101.60.Δ | 1100 | DLM FLEX 840 G2 | High | 1074LM | 93 LM/W | 11.7 W | 3000K | >80 | 35V | 85°C | >0,9 | 60.000 Hrs |
| 4175.102.60.Δ | 1100 | DLM FLEX 840 G2 | High | 1075LM | 104 LM/W | 10.5 W | 4000K | >80 | 35V | 85°C | >0,9 | 60.000 Hrs |
| 4175.103.60.Δ | 2000 | DLM FLEX 840 G2 | High | 2000LM | 91 LM/W | 22 W | 3000K | >80 | 35V | 85°C | >0,9 | 60.000 Hrs |
| 4175.104.60.Δ | 2000 | DLM FLEX 840 G2 | High | 2000LM | 102 LM/W | 19.5 W | 4000K | >80 | 35V | 85°C | >0,9 | 60.000 Hrs |
| 4175.105.60.Δ | 3000 | DLM FLEX 840 G2 | High | 3000LM | 94 LM/W | 32 W | 3000K | >80 | 35V | 85°C | >0,9 | 60.000 Hrs |
| 4175.106.60.Δ | 3000 | DLM FLEX 840 G2 | High | 3000LM | 105 LM/W | 28.5 W | 4000K | >80 | 35V | 85°C | >0,9 | 60.000 Hrs |

High efficiency is the standard Keylight setting for all DLM G2 LED modules. For technical and warranty information regarding high efficiency, see page 300. Standard system warranty is 5 years.