

PLUTO 18



<b>PRODUCT MATERIAL</b>	Die-cast aluminium
<b>LIGHT SOURCE</b>	DLM Flex
<b>MODULE LIFETIME</b>	Approx. 60.000 hours
<b>LED COOLING</b>	Passive cooling
<b>DRIVER DLM</b>	Incl. standard xitanium driver.
<b>COLORS (Δ)</b>	● <b>5</b> = RAL 9005 black ● <b>6</b> = RAL 9006 alu
<b>BEAM ANGLE</b>	60°
<b>ADJUSTABLE</b>	No
<b>SIZE</b>	170 X 161MM



OPTIONS

<b>EMERGENCY BALLAST</b>	0187.003.01 1 hour	€ 180,00
<b>DIMMABLE</b>	Dimmable DALI	€ 60,00

PLUTO 18

INFORMATION

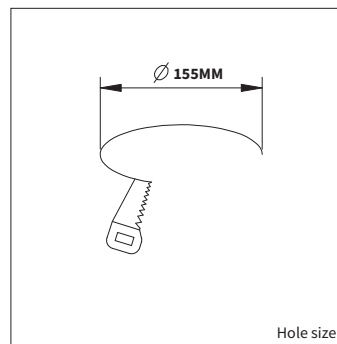
<b>WARRANTY</b>	5 Years.
-----------------	----------

Δ = product color code. See colors

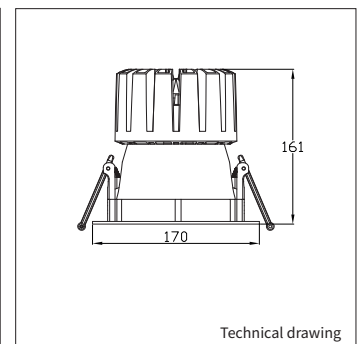
Incl. 1.5m cable and plug.

High Housing

Keylight International reserves the right to modify or change technical, construction or LED specifications due to continuous improvements of our products and light sources. The light source in this product can be replaced with an equivalent module made by Philips, Osram or Tridonic.



Hole size



Technical drawing

FORTIMO DLM FLEX G2

Different lumen output or wattages available on request

ART.NR.	LUMEN	PHILIPS FORTIMO DLM G2	HOUSING	LUMINOUS FLUX	MODULE EFFICIENCY	OUTPUT POWER	COLOUR TEMPERATURE	CRI	INPUT VOLTAGE	TC	POWER FACTOR	TC LIFETIME
4163.101.60.Δ	1100	DLM FLEX 840 G2	High	1074LM	93 LM/W	11.7 W	3000K	>80	35V	85°C	>0,9	60.000 Hrs
4163.102.60.Δ	1100	DLM FLEX 840 G2	High	1075LM	104 LM/W	10.5 W	4000K	>80	35V	85°C	>0,9	60.000 Hrs
4163.103.60.Δ	2000	DLM FLEX 840 G2	High	2000LM	91 LM/W	22 W	3000K	>80	35V	85°C	>0,9	60.000 Hrs
4163.104.60.Δ	2000	DLM FLEX 840 G2	High	2000LM	102 LM/W	19.5 W	4000K	>80	35V	85°C	>0,9	60.000 Hrs
4163.105.60.Δ	3000	DLM FLEX 840 G2	High	3000LM	94 LM/W	32 W	3000K	>80	35V	85°C	>0,9	60.000 Hrs
4163.106.60.Δ	3000	DLM FLEX 840 G2	High	3000LM	105 LM/W	28.5 W	4000K	>80	35V	85°C	>0,9	60.000 Hrs

Δ See colors

High efficiency is the standard Keylight setting for all DLM G2 LED modules. For technical and warranty information regarding high efficiency, see page 300. Standard system warranty is 5 years.