



PRODUCT MATERIAL

Die-cast aluminium

LIGHT SOURCE

Bridgelux V8

DRIVER

Including driver

COLORS

○ 3 = RAL 9003 white

● 5 = RAL 9005 black

BEAM ANGLE



ADJUSTABLE

Horizontally and vertically rotational

SIZE

175 x 148 x 50mm

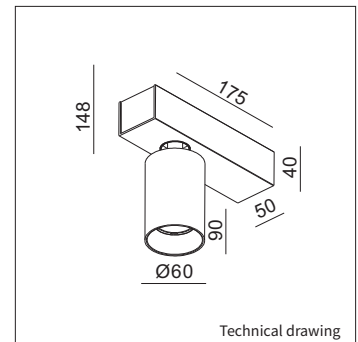


OPTIONS

DIMMABLE DRIVERS 500mA <small>IN COMBINATION WITH THIS LUMINAIRE. ADDITIONAL PRICE.</small>		
1/10v Dimmable 500mA 10W art. no.: 0110.500.10.1	€ 29,50	
Phase-cut Dimmable 500mA 10W art. no.: 0110.500.10.1	€ 29,50	
Dimmable DALI 500mA 18W art. no.: 0118.500.75.0	€ 55,00	

Keylight International reserves the right to modify or change technical, construction or LED specifications due to continuous improvements of our products and lightsources. The light source in this product can be replaced with an equivalent module made by Philips, Osram or Tridonic.

PINO I



ART.NR.	LAMP TYPE	BRAND	LUMINOUS FLUX	OUTPUT POWER	MODULE EFFICIENCY	COLOUR TEMPERATURE	CRI	TC LIFETIME	mA
5030.180.33.Δ	V8 LED	Bridgelux	745LM	9,2W	81LM/W	2700K	>90	50.000 Hrs	500

Δ see colors