



PILE

PRODUCT MATERIAL	Aluminium
LIGHT SOURCE	DLM Flex
MODULE LIFETIME	Approx. 60.000 hours
LED COOLING	Passive cooling
DRIVER	Incl. Xitanium driver.
COLORS	<ul style="list-style-type: none"> 3 = RAL 9003 white ● 5 = RAL 9005 black ● 6 = RAL 9006 alu
BEAM ANGLE	Wide angle.
SIZE	200 X 1000 / 1500 / 3000MM



OPTIONS

COLORS	Available in all RAL colours on request Additional price + 10%
---------------	---

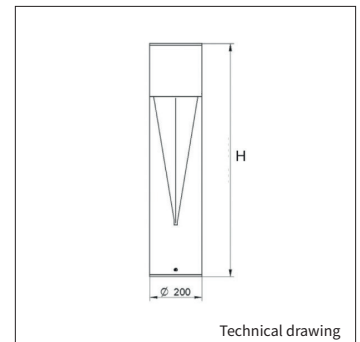
INFORMATION

WARRANTY	5 Years
-----------------	---------

Incl. Frosted Glass.

PILE

Keylight International reserves the right to modify or change technical, construction or LED specifications due to continuous improvements of our products and light sources. The light source in this product can be replaced with an equivalent module made by Philips, Osram or Tridonic.



FORTIMO DLM FLEX G2

Different lumen output or wattages available on request

ART.NR.	LENGTH	PHILIPS FORTIMO DLM G2	HOUSING	LUMINOUS FLUX	MODULE EFFICIENCY	OUTPUT POWER	COLOUR TEMPERATURE	CRI	INPUT VOLTAGE	TC	POWER FACTOR	TC LIFETIME
8020.101.92Δ	1000MM	DLM FLEX 830 G2	High	3000LM	70LM/W	43W	3000K	>80	34V	85°C	>0,9	60.000 Hrs
8020.102.92Δ	1000MM	DLM FLEX 840 G2	High	3000LM	70LM/W	43W	4000K	>80	34V	85°C	>0,9	60.000 Hrs
8020.103.92Δ	2000MM	DLM FLEX 830 G2	High	3000LM	70LM/W	43W	3000K	>80	34V	85°C	>0,9	60.000 Hrs
8020.104.92Δ	2000MM	DLM FLEX 840 G2	High	3000LM	70LM/W	43W	4000K	>80	34V	85°C	>0,9	60.000 Hrs
8020.105.92Δ	3000MM	DLM FLEX 830 G2	High	3000LM	70LM/W	43W	3000K	>80	34V	85°C	>0,9	60.000 Hrs
8020.106.92Δ	3000MM	DLM FLEX 840 G2	High	3000LM	70LM/W	43W	4000K	>80	34V	85°C	>0,9	60.000 Hrs

Δ See colors

i High efficiency is the standard Keylight setting for all DLM G2 LED modules. For technical and warranty information regarding high efficiency, see page 300. Standard system warranty is 5 years.