



PRODUCT MATERIAL	Steel & aluminium
LIGHT SOURCE	Osram PrevaLED Coin 111
MODULE LIFETIME	Approx. 50.000 hours
LED COOLING	Passive cooling
DRIVER	AC
COLORS	<ul style="list-style-type: none"> ○ 3 = RAL 9003 white ● 5 = RAL 9005 black ● 6 = RAL 9006 alu
BEAM ANGLE	Wide angle.
SIZE	230 X 600MM

OPTIONS

COLORS	Available in all RAL colours on request Additional price + 10%
---------------	---

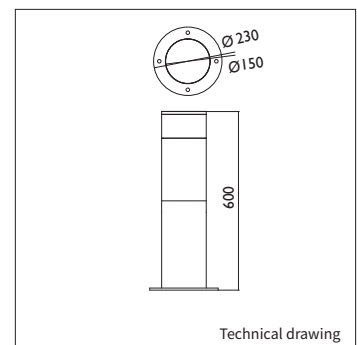
INFORMATION

WARRANTY	5 Years
-----------------	---------

Keylight International reserves the right to modify or change technical, construction or LED specifications due to continuous improvements of our products and lightsources. The light source in this product can be replaced with an equivalent module made by Philips, Osram or Tridonic.



PARK



ART.NR.	LAMP TYPE	BRAND	LUMINOUS FLUX	OUTPUT POWER	MODULE EFFICIENCY	COLOUR TEMPERATURE	CRI	TC LIFETIME	POWER FACTOR
8075.120.30.Δ	COIN 111	Osram	1200LM	16W	75LM/W	3000K	>80	50.000 Hrs	>0,9
8075.120.40.Δ	COIN 111	Osram	1200LM	16W	75LM/W	4000K	>80	50.000 Hrs	>0,9
8075.180.30.Δ	COIN 111	Osram	1800LM	23W	78LM/W	3000K	>80	50.000 Hrs	>0,9
8075.180.40.Δ	COIN 111	Osram	1800LM	23W	78LM/W	4000K	>80	50.000 Hrs	>0,9