



ORBIT 90

PRODUCT MATERIAL	Steel and aluminium
LIGHT SOURCE	Philips LEDLine
MODULE LIFETIME	Approx. 50.000 hours
LED COOLING	Passive cooling
DRIVER	Incl. standard Philips driver.
COLORS (Δ)	<ul style="list-style-type: none"> ○ 3 = RAL 9003 white ● 5 = RAL 9005 black ● 6 = RAL 9006 alu
REFLECTOR PLATE	Opal diffuser
ADJUSTABLE	No
SIZE	900 X 112MM



OPTIONS

COLORS	Available in all RAL colours on request Additional price + 10%		
DIMMABLE	Dimmable DALI	€	60,00
EMERGENCY BALLAST	0187.003.01 1 hour	€	180,00
PENDENT	Also available as a pendent version on req.		

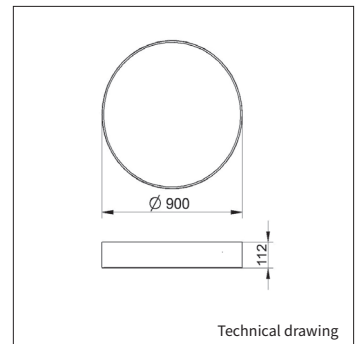
ORBIT 90

INFORMATION

WARRANTY	5 Years
-----------------	---------

Δ see colors

Keylight International reserves the right to modify or change technical, construction or LED specifications due to continuous improvements of our products and light sources. The light source in this product can be replaced with an equivalent module made by Philips, Osram or Tridonic.



Technical drawing

ART.NR.	LAMP TYPE	BRAND	LUMINOUS FLUX	OUTPUT POWER	MODULE EFFICIENCY	COLOUR TEMPERATURE	CRI	TC LIFETIME	POWER FACTOR
Δ see color									
5900.193.91Δ	LEDLine	Philips	10.000LM	70W	142LM/W	3000K	>80	50.000 Hrs	>0,9
5900.194.91Δ	LEDLine	Philips	10.000LM	70W	142LM/W	4000K	>80	50.000 Hrs	>0,9