



ORBIT 90 P

<b>PRODUCT MATERIAL</b>	Steel and aluminium
<b>LIGHT SOURCE</b>	Philips LEDLine
<b>MODULE LIFETIME</b>	Approx. 50.000 hours
<b>LED COOLING</b>	Passive cooling
<b>DRIVER</b>	Incl. standard Philips driver.
<b>COLORS (Δ)</b>	<ul style="list-style-type: none"> <li>○ 3 = RAL 9003 white</li> <li>● 5 = RAL 9005 black</li> <li>● 6 = RAL 9006 alu</li> </ul>
<b>REFLECTOR PLATE</b>	Opal diffuser
<b>ADJUSTABLE</b>	No
<b>SIZE</b>	900 X 112MM



OPTIONS

<b>COLORS</b>	Available in all RAL colours on request Additional price + 10%		
<b>EMERGENCY BALLAST</b>	0187.003.01 1 - 3 hours.	€	180,00
<b>DIMMABLE</b>	Dimmable DALI	€	120,00

ORBIT 90 P

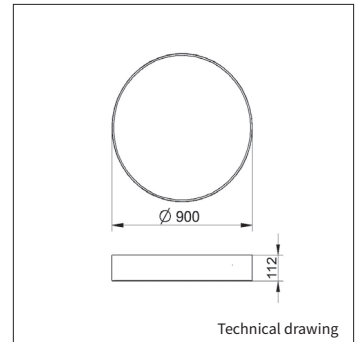
INFORMATION

<b>WARRANTY</b>	5 Years
-----------------	---------

Δ see colors

1.5m suspension set standard.

Keylight International reserves the right to modify or change technical, construction or LED specifications due to continuous improvements of our products and lightsources. The light source in this product can be replaced with an equivalent module made by Philips, Osram or Tridonic.



Technical drawing

ARTICLE NO.	LAMP TYPE	BRAND	LIGHT OUTPUT	MODULE POWER	MODULE EFFICIENCY	CORRELATED COLOUR TEMPERATURE	COLOUR RENDERING INDEX	TC LIFE	POWER FACTOR
7900.193.91Δ	LEDLine	Philips	10.000LM	70W	143LM/W	3000K	>80	50.000	>0,9
7900.194.91Δ	LEDLine	Philips	10.000LM	70W	143LM/W	4000K	>80	50.000	>0,9