



ORBIT 65 P

PRODUCT MATERIAL	Steel and aluminium
LIGHT SOURCE	Philips LEDLine
MODULE LIFETIME	Approx. 50.000 hours
LED COOLING	Passive cooling
DRIVER	Incl. standard Philips driver.
COLORS (Δ)	<ul style="list-style-type: none"> ○ 3 = RAL 9003 white ● 5 = RAL 9005 black ● 6 = RAL 9006 alu
REFLECTOR PLATE	Opal diffuser
ADJUSTABLE	No
SIZE	650 X 112MM



OPTIONS

COLORS	Available in all RAL colours on request Additional price + 10%		
DIRECT/INDIRECT	Available on request		
EMERGENCY BALLAST	0187.003.01 1 - 3 hours.	€	180,00
DIMMABLE	Dimmable DALI	€	60,00

ORBIT 65 P

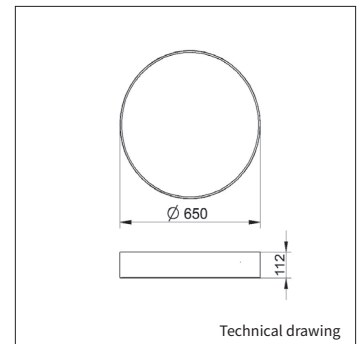
INFORMATION

WARRANTY	5 Years
-----------------	---------

Δ see colors

1.5m suspension set standard.

Keylight International reserves the right to modify or change technical, construction or LED specifications due to continuous improvements of our products and lightsources. The light source in this product can be replaced with an equivalent module made by Philips, Osram or Tridonic.



ART.NR.	LAMP TYPE	BRAND	LUMINOUS FLUX	OUTPUT POWER	MODULE EFFICIENCY	COLOUR TEMPERATURE	CRI	TC LIFETIME	POWER FACTOR
Δ see color									
7650.195.91Δ	LEDLine	Philips	5200LM	35LM	148LM/W	3000K	>80	50.000 Hrs	>0,9
7650.196.91Δ	LEDLine	Philips	5200LM	35LM	148LM/W	4000K	>80	50.000 Hrs	>0,9