



ORBIT 45 P

<b>PRODUCT MATERIAL</b>	Steel and aluminium
<b>LIGHT SOURCE</b>	Philips LEDLine
<b>MODULE LIFETIME</b>	Approx. 50.000 hours
<b>LED COOLING</b>	Passive cooling
<b>DRIVER</b>	Incl. standard Philips driver.
<b>COLORS (Δ)</b>	<ul style="list-style-type: none"> <li>○ 3 = RAL 9003 white</li> <li>● 5 = RAL 9005 black</li> <li>● 6 = RAL 9006 alu</li> </ul>
<b>REFLECTOR PLATE</b>	Opal diffuser
<b>ADJUSTABLE</b>	No
<b>SIZE</b>	425 X 120MM



OPTIONS

<b>COLORS</b>	Available in all RAL colours on request		
	Additional price + 10%		
<b>DIRECT/INDIRECT</b>	Available on request		
<b>EMERGENCY BALLAST</b>	0187.003.01	1 - 3 hours.	€ 180,00
<b>DIMMABLE</b>	Dimmable DALI		€ 60,00

ORBIT 45 P

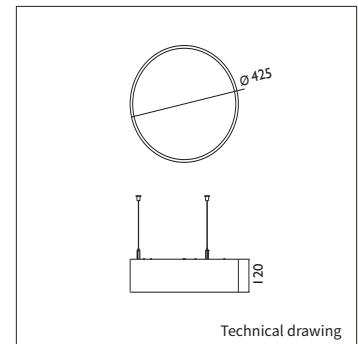
INFORMATION

<b>WARRANTY</b>	5 Years
-----------------	---------

Δ see colors

1.5m suspension set standard.

Keylight International reserves the right to modify or change technical, construction or LED specifications due to continuous improvements of our products and light sources. The light source in this product can be replaced with an equivalent module made by Philips, Osram or Tridonic.



Technical drawing

ART.NR.	LAMP TYPE	BRAND	LUMINOUS FLUX	OUTPUT POWER	MODULE EFFICIENCY	COLOUR TEMPERATURE	CRI	TC LIFETIME	POWER FACTOR
Δ see color									
7425.195.91Δ	LEDLine	Philips	3900LM	29W	135LM/W	3000K	>80	50.000 Hrs	>0,9
7425.196.91Δ	LEDLine	Philips	4000LM	29W	138LM/W	4000K	>80	50.000 Hrs	>0,9