



ORBIT 30 P

PRODUCT MATERIAL	Steel and aluminium
LIGHT SOURCE	AC Integrated LED module
MODULE LIFETIME	Approx. 50.000 hours
LED COOLING	Passive cooling
DRIVER	Standard integrated AC Driver
COLORS (Δ)	<ul style="list-style-type: none"> ○ 3 = RAL 9003 white ● 5 = RAL 9005 black ● 6 = RAL 9006 alu
REFLECTOR PLATE	Opal diffuser
ADJUSTABLE	No
SIZE	300 X 120MM



OPTIONS

COLORS	Available in all RAL colours on request
DIRECT/INDIRECT	Available on request Additional price + 10%

INFORMATION

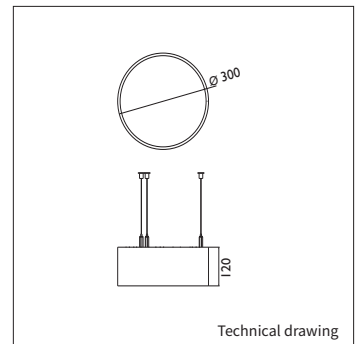
WARRANTY	5 Years
-----------------	---------

Δ see colors

1.5m suspension set standard.

Keylight International reserves the right to modify or change technical, construction or LED specifications due to continuous improvements of our products and lightsources. The light source in this product can be replaced with an equivalent module made by Philips, Osram or Tridonic.

ORBIT 30 P



Technical drawing

ART.NR.	LAMP TYPE	BRAND	LUMINOUS FLUX	OUTPUT POWER	MODULE EFFICIENCY	COLOUR TEMPERATURE	CRI	TC LIFETIME	POWER FACTOR
Δ see color									
7300.185.91Δ	LED module	AC	2300LM	21W	109LM/W	3000	>80	50.000	>0,9
7300.186.91Δ	LED module	AC	2500LM	33W	114LM/W	3000	>80	50.000	>0,9