



**NITRO 10**

<b>PRODUCT MATERIAL</b>	Die-cast aluminium + steel
<b>LIGHT SOURCE</b>	MR16 LED / LMR50
<b>DRIVER</b>	LMR 50 includes a driver
<b>COLORS (Δ)</b>	<ul style="list-style-type: none"> <li>○ 3 = RAL 9003 White</li> <li>● 5 = RAL 9005 Black</li> <li>● 6 = RAL 9006 Alu</li> </ul>
<b>BEAM ANGLE</b>	
<b>ADJUSTABLE</b>	Yes
<b>SIZE</b>	106 X 106 X 43/80MM



**OPTIONS LMR**

<b>DIMMABLE DRIVERS</b> <small>IN COMBINATION WITH THIS LUMINAIRE. ADDITIONAL PRICE.</small>	1/10v Dimmable 350mA 10W art. no.: 0110.350.10.1	€ 29,50
	Phase-cut Dimmable 350mA 10W art. no.: 0110.350.10.1	€ 29,50
	Dimmable DALI 350mA 18W art. no.: 0118.350.15.1	€ 55,00
<b>GLASS COVER CLEAR</b>	LMR50 glass IP44 art. no.: 0053.999.99.0	€ 7,50

NITRO 10

**INFORMATION**

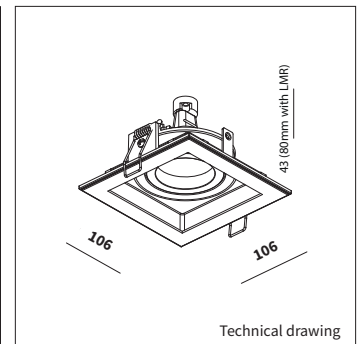
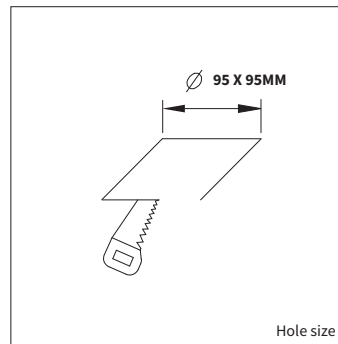
**!** Only luminaire body, lightsource and/or driver excluded.

LMR includes a driver, cable and plug.

LMR **Dim to Warm** includes a dimmable driver, cable and plug.

**Including an assemble plate to mount a single unit into a double, triple, quadruple or "L" shape unit easily in a short time**

Keylight International reserves the right to modify or change technical, construction or LED specifications due to continuous improvements of our products and lightsources.



ART.NR.	LAMP TYPE	BRAND	LUMINOUS FLUX	OUTPUT POWER	MODULE EFFICIENCY	COLOUR TEMPERATURE	CRI	TC LIFETIME	BEAM ANGLE	mA
Δ see colors										
<b>!</b> 4910.001.98.Δ	MR16	~	~	Max. 50W	~	~	~	~	~	~
<b>!</b> 4910.002.98.Δ	Gu10	~	~	Max. 50W	~	~	~	~	~	~
4910.171.20.Δ	LMR50	Bridgelux V6	575LM	6,8W	85LM/W	2700K	>90	30.000 Hrs	20°	350
4910.172.30.Δ	LMR50	Bridgelux V6	575LM	6,8W	85LM/W	2700K	>90	30.000 Hrs	30°	350
4910.173.20.Δ	LMR50	Bridgelux V6	600LM	6,8W	88LM/W	3000K	>90	30.000 Hrs	20°	350
4910.174.30.Δ	LMR50	Bridgelux V6	600LM	6,8W	88LM/W	3000K	>90	30.000 Hrs	30°	350
4910.175.20.Δ	LMR50	Sharp GW6	563LM	6,6W	85LM/W	2000 - 2800K <b>DTW</b>	>80	30.000 Hrs	20°	350
4910.176.30.Δ	LMR50	Sharp GW6	563LM	6,6W	85LM/W	2000 - 2800K <b>DTW</b>	>80	30.000 Hrs	30°	350