



MOON 27

PRODUCT MATERIAL	Aluminium & ABS plastics
LIGHT SOURCE	DLM Flex
MODULE LIFETIME	Approx. 60.000 hours
LED COOLING	Passive cooling
DRIVER DLM	Incl. standard xitanium driver.
COLORS	○ 3 = RAL 9003 white
BEAM ANGLE	70°
ADJUSTABLE	No
SIZE	270 X 178MM



OPTIONS

DIMMABLE	Dimmable DALI	€ 60,00
EMERGENCY BALLAST	0187.003.1 1 hours	€ 180,00

MOON 27

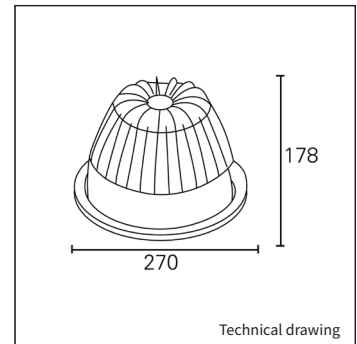
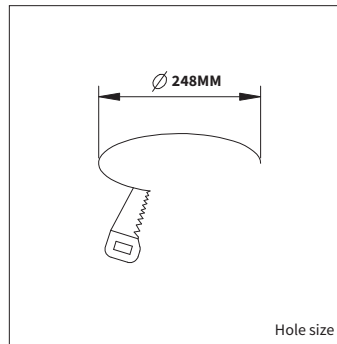
INFORMATION

WARRANTY	5 Years
-----------------	---------

Incl. 1.5m cable and plug.

High Housing

Keylight International reserves the right to modify or change technical, construction or LED specifications due to continuous improvements of our products and light sources. The light source in this product can be replaced with an equivalent module made by Philips, Osram or Tridonic.



FORTIMO DLM FLEX G2

Different lumen output or wattages available on request

ART.NR.	LUMEN	PHILIPS FORTIMO DLM G2	HOUSING	LUMINOUS FLUX	MODULE EFFICIENCY	OUTPUT POWER	COLOUR TEMPERATURE	CRI	INPUT VOLTAGE	TC	POWER FACTOR	TC LIFETIME
4027.101.70.3	1100	DLM FLEX 840 G2	High	1074LM	93 LM/W	11.7 W	3000K	>80	35V	85°C	>0,9	60.000 Hrs
4027.102.70.3	1100	DLM FLEX 840 G2	High	1075LM	104 LM/W	10.5 W	4000K	>80	35V	85°C	>0,9	60.000 Hrs
4027.103.70.3	2000	DLM FLEX 840 G2	High	2000LM	91 LM/W	22 W	3000K	>80	35V	85°C	>0,9	60.000 Hrs
4027.104.70.3	2000	DLM FLEX 840 G2	High	2000LM	102 LM/W	19.5 W	4000K	>80	35V	85°C	>0,9	60.000 Hrs
4027.105.70.3	3000	DLM FLEX 840 G2	High	3000LM	94 LM/W	32 W	3000K	>80	35V	85°C	>0,9	60.000 Hrs
4027.106.70.3	3000	DLM FLEX 840 G2	High	3000LM	105 LM/W	28.5 W	4000K	>80	35V	85°C	>0,9	60.000 Hrs

High efficiency is the standard Keylight setting for all DLM G2 LED modules. For technical and warranty information regarding high efficiency, see page 300. Standard system warranty is 5 years.