

MATEO 9



PRODUCT MATERIAL	Steel and aluminium
LIGHT SOURCE	Philips Disk
MODULE LIFETIME	Approx. 50.000 hours
LED COOLING	Passive cooling
DRIVER	Incl. integrated driver
COLORS (Δ)	<ul style="list-style-type: none"> ○ 3 = RAL 9003 white ● 5 = RAL 9005 black ● 6 = RAL 9006 alu
BEAM ANGLE	
SIZE	130 X 114 X 90MM



OPTIONS

COLORS	Available in all RAL colours on request. Additional price + 10%
---------------	--

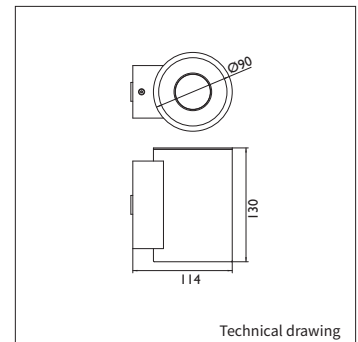
INFORMATION

WARRANTY	5 Years
-----------------	---------

Δ = product color code. See colors

Keylight International reserves the right to modify or change technical, construction or LED specifications due to continuous improvements of our products and light sources. The light source in this product can be replaced with an equivalent module made by Philips, Osram or Tridonic.

MATEO 9



ART.NR.	LAMP TYPE	BRAND	LUMINOUS FLUX	OUTPUT POWER	MODULE EFFICIENCY	COLOUR TEMPERATURE	CRI	TC LIFETIME	POWER FACTOR
Δ see color									
6122.141.80.Δ	Philips Disk	Philips	800LM	12W	68LM/W	2700K	>80	50.000	>0,9
6122.142.80.Δ	Philips Disk	Philips	800LM	12W	68LM/W	3000K	>80	50.000	>0,9
6122.143.80.Δ	Philips Disk	Philips	850LM	11W	72LM/W	4000K	>80	50.000	>0,9