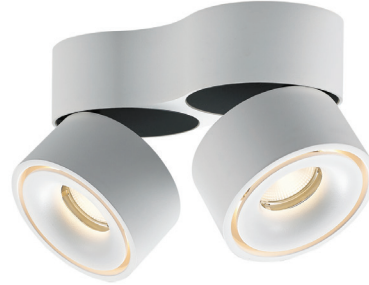




NEW
LOOK TOO

PRODUCT MATERIAL	Die-cast aluminium
LIGHT SOURCE	V8 Array
MODULE LIFETIME	Approx. 30.000 hours
LED COOLING	Passive cooling
DRIVER	Incl. standard driver
COLORS (Δ)	● 5 = RAL 9005 black ○ + ● 35 = White black
BEAM ANGLE	▲ 33°
ADJUSTABLE	350° rotational 90° rotational spot head
SIZE	212 X 100 X 103MM



INFORMATION

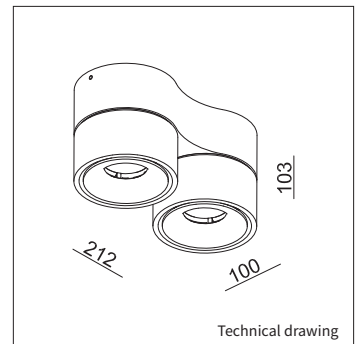
WARRANTY	3 Years
-----------------	---------

Δ = product color code. See colors

Incl. Dimmable driver. Phase-cut

Keylight International reserves the right to modify or change technical, construction or LED specifications due to continuous improvements of our products and lightsources.

LOOK TOO



ART.NR.	LAMP TYPE	BRAND	LUMINOUS FLUX	OUTPUT POWER	MODULE EFFICIENCY	COLOUR TEMPERATURE	CRI	TC LIFETIME	mA
Δ see colors									
6002.179.33.Δ	V8 Array	Bridgelux	970LM	9.3W	113LM/W	2700K	>80	30.000 Hrs	500mA