



**JAZZ 32**

<b>PRODUCT MATERIAL</b>	Steel and aluminium
<b>LIGHT SOURCE</b>	QR111 LED / G53
<b>DRIVER</b>	Included
<b>COLORS (Δ)</b>	<ul style="list-style-type: none"> <li>○ 3 = RAL 9003 white</li> <li>● 5 = RAL 9005 black</li> <li>● 6 = RAL 9006 alu</li> </ul>
<b>BEAM ANGLE</b>	24°                  45°
<b>ADJUSTABLE</b>	Yes
<b>SIZE</b>	317 X 160 X 130MM



**OPTIONS**

<b>COLORS</b>	Available in all RAL colours and color combinations on request. Additional price + 10%	
<b>DIMMABLE DRIVERS 350mA</b> <small>IN COMBINATION WITH THIS LUMINAIRE. ADDITIONAL PRICE.</small>	2x 1/10v Dimmable 350mA 20W art. no.: 0137.110.20.0	€ 126,00
	2x Phase-cut Dimmable 350mA 18W art. no.: 0115.350.18.1	€ 58,00
	2x Dimmable DALI 350mA 18W art. no.: 0118.350.75.0	€ 110,00
<b>DIMMABLE DRIVERS 500mA</b> <small>IN COMBINATION WITH THIS LUMINAIRE. ADDITIONAL PRICE.</small>	2x 1/10v Dimmable 500mA 10W art. no.: 0110.500.10.1	€ 58,00
	2x Phase-cut Dimmable 500mA 10W art. no.: 0110.500.10.1	€ 58,00
	2x Dimmable DALI 500mA 18W art. no.: 0118.500.75.0	€ 110,00

JAZZ 32

**INFORMATION**

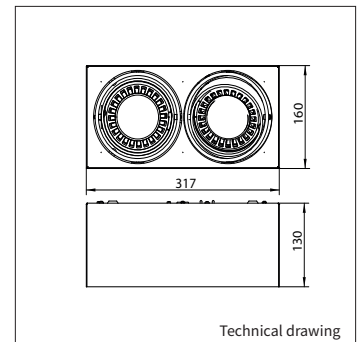
<b>WARRANTY</b>	3 Years
-----------------	---------

Δ = product color code. See colors

Including lightsource

[This luminaire is also available in a 3L and a 4L version](#)

Keylight International reserves the right to modify or change technical, construction or LED specifications due to continuous improvements of our products and lightsources. The light source in this product can be replaced with an equivalent module made by Philips, Osram or Tridonic.



Technical drawing

ART.NR.	LAMP TYPE	BRAND	LUMINOUS FLUX	OUTPUT POWER	MODULE EFFICIENCY	COLOUR TEMPERATURE	CRI	TC LIFETIME	BEAM ANGLE	mA
Δ see color										
5144.605.24.Δ	QR111 LED / G53	KL	2X 500LM	2x 10W	2X 50LM/W	2800K	>90	30.000 Hrs	24°	500mA
5144.605.40.Δ	QR111 LED / G53	KL	2X 750LM	2x 15W	2X 50LM/W	2800K	>90	30.000 Hrs	40°	350mA
5144.606.24.Δ	QR111 LED / G53	KL	2X 750LM	2x 15W	2X 50LM/W	2800K	>90	30.000 Hrs	24°	350mA
5144.175.24.Δ	QR111 LED / G53	KL	2X 700LM	2x 15W	2X 46LM/W	2000 - 2900K	>96	35.000 Hrs	24°	350mA
5144.175.45.Δ	QR111 LED / G53	KL	2X 700LM	2x 15W	2X 46LM/W	2000 - 2900K	>96	35.000 Hrs	45°	350mA