



GHIBLI R TRIMLESS

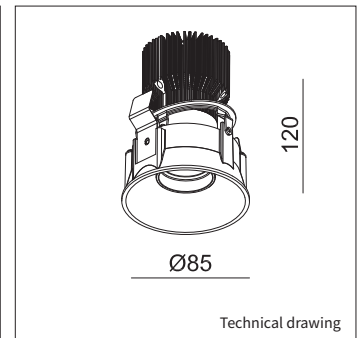
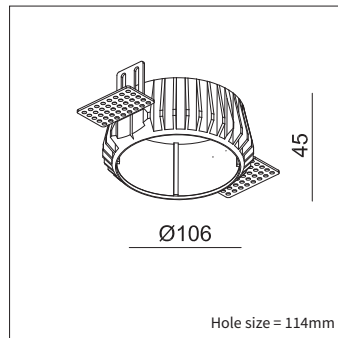
PRODUCT MATERIAL	Die-cast Aluminium
LIGHT SOURCE	Bridgelux V8
MODULE LIFETIME	Approx. 35.000 hours
DRIVER	Including driver
COLORS	<ul style="list-style-type: none"> ● 35 = RAL 9003 white + RAL 9005 black ● 5 = RAL 9005 black ● 7 = RAL 9037 grey
BEAM ANGLE	22°
ADJUSTABLE	Yes - 0-20° - 360°
SIZE	90 X 120MM



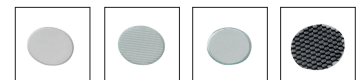
OPTIONS

OPTIONAL BEAM ANGLE	36° art. no.: 4912.999.38.9	€ 5,00
REFLECTOR RING	White reflector ring art. no.: 4912.922.99.3	€ 9,50
	Black reflector ring art. no.: 4912.922.99.5	€ 9,50
	Gold reflector ring art. no.: 4912.922.99.9	€ 9,50
GLASS	Transparent art. no.: 4912.933.99.0	€ 7,50
	Honey comb art. no.: 4912.933.94.0	€ 7,50
	Frosted art. no.: 4912.933.90.0	€ 7,50
	Striped art. no.: 4912.933.96.0	€ 7,50
DIMMABLE DRIVERS 350mA <i>IN COMBINATION WITH THIS LUMINAIRE. ADDITIONAL PRICE</i>	1/10v Dimmable 350 mA 10W art. no.: 0110.350.10.1	€ 29,50
	Phase-cut Dimmable 350 mA 10W art. no.: 0110.350.10.1	€ 29,50
	Dimmable DALI 350 mA 18W art. no.: 0118.350.75.0	€ 55,00
DIMMABLE DRIVERS 500mA <i>IN COMBINATION WITH THIS LUMINAIRE. ADDITIONAL PRICE</i>	1/10v Dimmable 500 mA 10W art. no.: 0118.500.10.1	€ 29,50
	Phase-cut Dimmable 500 mA 10W art. no.: 0110.500.10.1	€ 29,50
	Dimmable DALI 500 mA 18W art. no.: 0118.500.75.0	€ 55,00

GHIBLI R TRIMLESS



Reflector rings



Transparent Striped Frosted Honeycomb

INFORMATION

Incl. cable and plug.

Including mounting kit (size 114 x 150mm)

Keylight International reserves the right to modify or change technical, construction or LED specifications due to continuous improvements of our products and light sources. The light source in this product can be replaced with an equivalent module made by Philips, Osram or Tridonic.

ART.NR.	LAMP TYPE	BRAND	LUMINOUS FLUX	OUTPUT POWER	MODULE EFFICIENCY	COLOUR TEMPERATURE	CRI	TC LIFETIME	mA
Δ see colors									
4916.179.26.Δ	V8 LED	Bridgelux	550LM	6,2W	91LM/W	2700K	>90	50.000 Hrs	350
4916.180.26.Δ	V8 LED	Bridgelux	745LM	9,2W	84LM/W	2700K	>90	50.000 Hrs	500