



FLOOR 25



<b>PRODUCT MATERIAL</b>	Stainless steel & ABS plastics / Alu Body
<b>LIGHT SOURCE</b>	CXA
<b>MODULE LIFETIME</b>	Approx. 30.000 hours
<b>LED COOLING</b>	Passive cooling
<b>DRIVER</b>	Incl. driver.
<b>COLORS</b>	● 8 = Stainless steel
<b>BEAM ANGLE</b>	▲ 40°
<b>SIZE FLOOD 10</b>	123 X 55 X 158MM (See technical drawing)

**OPTIONS**

<b>DIMMABLE</b>	Dimmable on request
-----------------	---------------------

**INFORMATION**

<b>WARRANTY</b>	2 Years
-----------------	---------

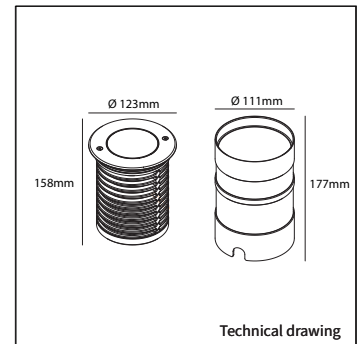
Tempered glass standard

Stainless steel ring (316)



FLOOR 25

Keylight International reserves the right to modify or change technical, construction or LED specifications due to continuous improvements of our products and lightsources.



ART.NR.	LAMP TYPE	BRAND	LUMINOUS FLUX	OUTPUT POWER	MODULE EFFICIENCY	COLOUR TEMPERATURE	CRI	TC LIFETIME	mA
8109.500.55.8	CXA	Cree	1590LM	18W	90LM/W	2700K	>80	30.000 Hrs	500mA