



FLOOR 10

| | |
|-------------------------|---|
| PRODUCT MATERIAL | Stainless steel & ABS plastics |
| LIGHT SOURCE | XP-E |
| MODULE LIFETIME | Approx. 30.000 hours |
| LED COOLING | Passive cooling |
| DRIVER | Incl. driver. |
| COLORS | ● 8 = Stainless steel |
| BEAM ANGLE | ▲ 40° |
| SIZE FLOOD 10 | 178 X 163 X 107MM (See technical drawing) |

OPTIONS

| | |
|-----------------|---------------------|
| DIMMABLE | Dimmable on request |
|-----------------|---------------------|

INFORMATION

| | |
|-----------------|---------|
| WARRANTY | 2 Years |
|-----------------|---------|

Tempered glass standard

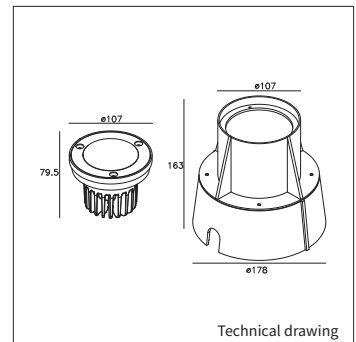
Lens plate black colored and adjustable. Incl. 1.5m cable.

Stainless steel ring (316)



FLOOR 10

Keylight International reserves the right to modify or change technical, construction or LED specifications due to continuous improvements of our products and lightsources.



| ART.NR. | LAMP TYPE | BRAND | LUMINOUS FLUX | OUTPUT POWER | MODULE EFFICIENCY | COLOUR TEMPERATURE | CRI | TC LIFETIME | mA |
|---------------|-----------|-------|---------------|--------------|-------------------|--------------------|-----|-------------|-------|
| 8108.990.30.8 | XP-E | Cree | 362LM | 7,7W | 90LM/W | 2700K | >80 | 30.000 Hrs | 700mA |