



ESCAPE MINI DOWN

PRODUCT MATERIAL	Aluminium
LIGHTSOURCE	Cree XT-E
LED COOLING	Passive cooling
COLOR	○ 3 = RAL 9003 white
VIEWING ANGLE	Escape Route
SIZE	55MM / 2x 196 x 133mm
CUT OUT SIZE	40MM

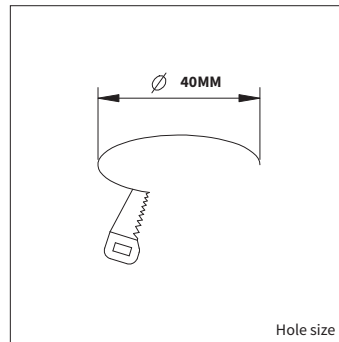
INFORMATION

COLOUR TEMP.	6000K
MOUNTING OPTIONS	Recessed round
MAINTENANT	Non-maintenant
AUTO TEST	Yes, autotesting operation on request
EMERGENCY BATTERY	Including sealed nickel-cadmium rechargeable battery pack (1Hr.)
DALI	Suitable for DALI
E N STANDARD	On request

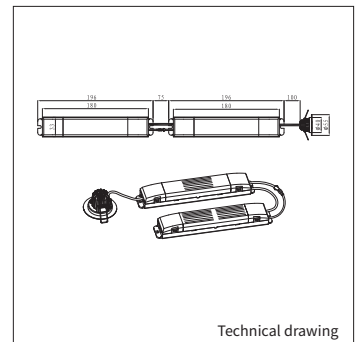


Keylight International reserves the right to modify or change technical, construction or LED specifications due to continuous improvements of our products and lightsources.

ESCAPE MINI DOWN



Hole size



Technical drawing



ART.NR.	LAMP TYPE	LIGHT OUTPUT	EMERGENCY LUMEN OUTPUT	MODULE POWER	BATTERY CHARGE DURATION	BATTERY LIFETIME WHEN DISCONNECTED	BATTERY	VIEWING DISTANCE
0553.999.15.3	Cree XT-E	150LM	1Hrs / 180LM	5W	24 Hrs	1 Hr	Ni_Cd 3.6v 800mA	Escape Route