



DENVER 20 + 23

PRODUCT MATERIAL	Aluminium
LIGHT SOURCE	DLM Flex
MODULE LIFETIME	Approx. 60.000 hours
LED COOLING	Passive cooling
DRIVER DLM	Incl. standard xitanium driver.
COLORS	<ul style="list-style-type: none"> ○ 3 = RAL 9003 white ● 5 = RAL 9005 black ● 6 = RAL 9006 alu
BEAM ANGLE	
ADJUSTABLE	No
SIZE	196 X 190MM / 230 X 250MM



OPTIONS

DENVER 20 + 23

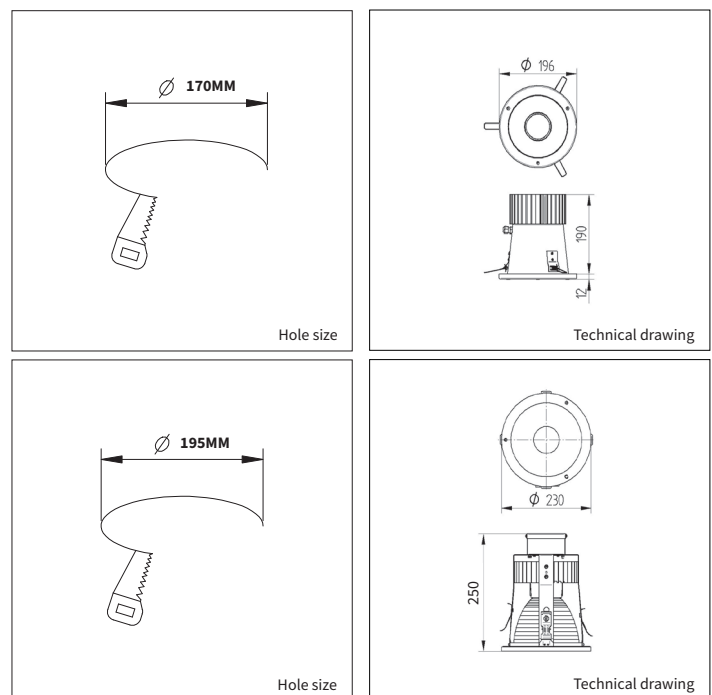
COLORS	Available in all RAL colours on request Additional price + 10%	
EMERGENCY BALLAST	0187.003.01 1 - 3 hours	€ 180,00
DIMMABLE	Dimmable DALI	€ 60,00

INFORMATION

WARRANTY	5 Years
-----------------	---------

Δ see colors

Keylight International reserves the right to modify or change technical, construction or LED specifications due to continuous improvements of our products and light sources. The light source in this product can be replaced with an equivalent module made by Philips, Osram or Tridonic.



DENVER 20 - FORTIMO DLM FLEX G2

Different lumen output or wattages available on request

ART.NR.	LUMEN	PHILIPS FORTIMO DLM G2	HOUSING	LUMINOUS FLUX	MODULE EFFICIENCY	OUTPUT POWER	COLOUR TEMPERATURE	CRI	INPUT VOLTAGE	TC	POWER FACTOR	TC LIFETIME
8196.101.60Δ	1100	DLM FLEX 830 G2	High	1075LM	115LM/W	9.8W	3000K	>80	34V	85°C	>0,9	60.000 Hrs
8196.102.60Δ	1100	DLM FLEX 840 G2	High	1075LM	127LM/W	8.6W	4000K	>80	34V	85°C	>0,9	60.000 Hrs
8196.103.60Δ	2000	DLM FLEX 830 G2	High	1954LM	113LM/W	17.6W	3000K	>80	34V	85°C	>0,9	60.000 Hrs
8196.104.60Δ	2000	DLM FLEX 840 G2	High	1954LM	125LM/W	16.0W	4000K	>80	34V	85°C	>0,9	60.000 Hrs
8196.105.60Δ	3000	DLM FLEX 830 G2	High	2931LM	115LM/W	26.8W	3000K	>80	34V	85°C	>0,9	60.000 Hrs
8196.106.60Δ	3000	DLM FLEX 840 G2	High	2931LM	127LM/W	23.4W	4000K	>80	34V	85°C	>0,9	60.000 Hrs

DENVER 23 - FORTIMO DLM FLEX G2

8230.101.60Δ	1100	DLM FLEX 830 G2	High	1075LM	115LM/W	9.8W	3000K	>80	34V	85°C	>0,9	60.000 Hrs
8230.102.60Δ	1100	DLM FLEX 840 G2	High	1075LM	127LM/W	8.6W	4000K	>80	34V	85°C	>0,9	60.000 Hrs
8230.103.60Δ	2000	DLM FLEX 830 G2	High	1954LM	113LM/W	17.6W	3000K	>80	34V	85°C	>0,9	60.000 Hrs
8230.104.60Δ	2000	DLM FLEX 840 G2	High	1954LM	125LM/W	16.0W	4000K	>80	34V	85°C	>0,9	60.000 Hrs
8230.105.60Δ	3000	DLM FLEX 830 G2	High	2931LM	115LM/W	26.8W	3000K	>80	34V	85°C	>0,9	60.000 Hrs
8230.106.60Δ	3000	DLM FLEX 840 G2	High	2931LM	127LM/W	23.4W	4000K	>80	34V	85°C	>0,9	60.000 Hrs

High efficiency is the standard Keylight setting for all DLM G2 LED modules. For technical and warranty information regarding high efficiency, see page 300. Standard system warranty is 5 years.