



<b>PRODUCT MATERIAL</b>	Aluminium
<b>ADAPTER</b>	3-phase track adapter
<b>LIGHT SOURCE</b>	Fortimo SLM G6
<b>DRIVER</b>	Incl. Xitanium driver
<b>COLORS (Δ)</b>	○ 3 = RAL 9003 white ● 5 = RAL 9005 black
<b>BEAM ANGLE</b>	25°
<b>ADJUSTABLE</b>	Horizontally and vertically rotational
<b>SIZE</b>	78 X 129MM



**OPTIONS**

<b>BEAM LENS</b>	12°	art. no.: 3047.012.00.0	€ 7,50
	18°	art. no.: 3047.018.00.0	€ 7,50
	35°	art. no.: 3047.035.00.0	€ 7,50
<b>ANTI-GLARE RING</b>	Gold	art. no.: 3047.999.00.9	€ 9,50
<b>DIMMABLE</b>	Phase-cut dimmable on request		
<b>HONEYCOMB</b>	Honey comb	art. no.: 3084.933.94.0	€ 15,00

**INFORMATION**

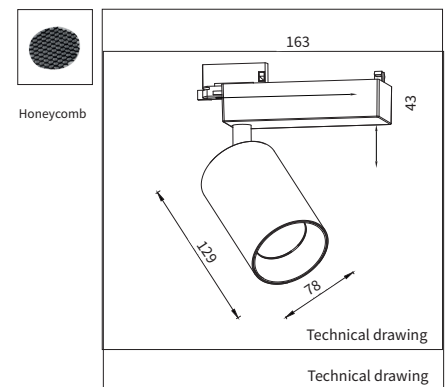
<b>WARRANTY</b>	5 Years
-----------------	---------

This luminaire is equipped with an innovative lens technology instead of a reflector. **High quality led lens technology. +15% more light output**

This luminaire has a **black anti-glare ring** standard included.

Keylight International reserves the right to modify or change technical, construction or LED specifications due to continuous improvements of our products and light sources. The light source in this product can be replaced with an equivalent module made by Philips, Osram or Tridonic.

CORSO



**AVAILABLE SLM OPTIONS**

To order the correct product, please replace **COB\*** in the article number field with the COB code found on the last page of the catalogue

ARTICLE NUMBER	LUMINOUS FLUX	BRAND	OUTPUT POWER	COLOUR TEMPERATURE	CRI	SETTING	POWER FACTOR
3047. <b>COB*</b> .25.Δ	1100	Philips SLM G6	7W	827 / 830 / 835 / 840 / 850	>80	High Efficiency	>0,9
3048. <b>COB*</b> .25.Δ	1100	Philips SLM G6	8W	927 / 930	>90	High Efficiency	>0,9
3047. <b>COB*</b> .25.Δ	1100	Philips SLM G6	7W	830 Premium White	>80	High Efficiency	>0,9
3047. <b>COB*</b> .25.Δ	1100	Philips SLM G6	8W	930 / 935 / 940 Premium White	>90	High Efficiency	>0,9
3047. <b>COB*</b> .25.Δ	1100	Philips SLM G6	10W	930 Crisp White (930 CW)	>90	High Efficiency	>0,9
3047. <b>COB*</b> .25.Δ	1100	Philips SLM G6	11W	<b>Food Warm White (FWW)</b>	<b>84</b>	High Efficiency	>0,9
3047. <b>COB*</b> .25.Δ	1100	Philips SLM G6	11W	<b>Food Premium Red (FPR)</b>	<b>88</b>	High Efficiency	>0,9
3047. <b>COB*</b> .25.Δ	2000	Philips SLM G6	13W	827 / 830 / 835 / 840 / 850	>80	High Efficiency	>0,9
3047. <b>COB*</b> .25.Δ	2000	Philips SLM G6	17W	927 / 930	>90	High Efficiency	>0,9
3047. <b>COB*</b> .25.Δ	2000	Philips SLM G6	14W	830 Premium White	>80	High Efficiency	>0,9
3047. <b>COB*</b> .25.Δ	2000	Philips SLM G6	16W	930 / 935 / 940 Premium White	>90	High Efficiency	>0,9
3047. <b>COB*</b> .25.Δ	2000	Philips SLM G6	21W	930 Crisp White (930 CW)	>90	High Efficiency	>0,9
3047. <b>COB*</b> .25.Δ	2000	Philips SLM G6	23W	<b>Food Warm White (FWW)</b>	<b>84</b>	High Efficiency	>0,9
3047. <b>COB*</b> .25.Δ	2000	Philips SLM G6	22W	<b>Food Premium Red (FPR)</b>	<b>88</b>	High Efficiency	>0,9
3047. <b>COB*</b> .25.Δ	3000	Philips SLM G6	19W	827 / 830 / 835 / 840 / 850 / 857	>80	High Efficiency	>0,9
3047. <b>COB*</b> .25.Δ	3000	Philips SLM G6	26W	927 / 930	>90	High Efficiency	>0,9
3047. <b>COB*</b> .25.Δ	3000	Philips SLM G6	20W	830 Premium White	>80	High Efficiency	>0,9
3047. <b>COB*</b> .25.Δ	3000	Philips SLM G6	25W	930 / 935 / 940 Premium White	>90	High Efficiency	>0,9
3047. <b>COB*</b> .25.Δ	3000	Philips SLM G6	32W	930 Crisp White (930 CW)	>90	High Efficiency	>0,9
3047. <b>COB*</b> .25.Δ	4500	Philips SLM G6	29W	827 / 830 / 835 / 840 / 850 / 857	>80	High Efficiency	>0,9
3047. <b>COB*</b> .24.Δ	4500	Philips SLM G6	30W	830 Premium White	>80	High Efficiency	>0,9

High efficiency is the standard Keylight setting for all SLM G6 LED modules. For technical and warranty information regarding high efficiency, see last page of the catalogue. Standard system warranty is 5 years.