



COLT 14

PRODUCT MATERIAL	Die-cast aluminium
ADAPTER	1-phase track adapter
LIGHT SOURCE	Retrofit MR16
DRIVER	Philips driver included
COLORS (Δ)	○ 3 = RAL 9003 white ● 5 = RAL 9005 black ● 6 = RAL 9006 alu
BEAM ANGLE	▲ 25° ▲ 40°
ADJUSTABLE	Horizontally and vertically rotational
DIMMABLE	Standard
SIZE	80 X 70MM



INFORMATION

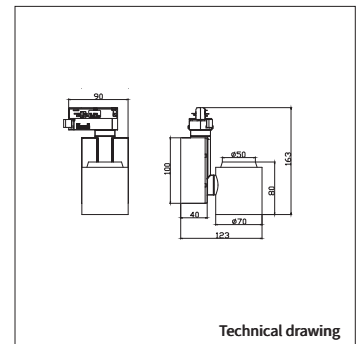
WARRANTY	2 Years
-----------------	---------

! Only luminaire body, lightsource excluded.

* Specification may vary per type of lightsource

Keylight International reserves the right to modify or change technical, construction or LED specifications due to continuous improvements of our products and lightsources.

COLT 14



ART.NR.	LAMP TYPE	BRAND	LUMINOUS FLUX	OUTPUT POWER	MODULE EFFICIENCY	COLOUR TEMPERATURE	CRI	TC LIFETIME	POWER FACTOR
Δ see color									
! 3119.305.24Δ	GU5.3	Retrofit LED *	*	*	*	*	*	*	1-phase