



CIRC 10

PRODUCT MATERIAL	Die-cast aluminium
LIGHT SOURCE	MR16/GU10 LED / LMR50
DRIVER	LMR 50 includes a driver
COLORS	<ul style="list-style-type: none"> ○ 3 = RAL 9003 white ● 5 = RAL 9005 black ● 6 = RAL 9006 alu
BEAM ANGLE	
ADJUSTABLE	Yes
SIZE	106 X 110MM OR INCL. LMR 106 X 80MM



OPTIONS LMR

GLASS COVER CLEAR	Glass IP44 art. no.: 0053.999.99.0	€ 7,50
GLASS FILTER	Filter 2400K glass art. no.: 4006.999.27.0	€ 30,00
DIMMABLE DRIVERS 350mA <small>IN COMBINATION WITH THIS LUMINAIRE. ADDITIONAL PRICE.</small>	1/10v Dimmable 350mA 10W art. no.: 0110.350.10.1	€ 29,50
	Phase-cut Dimmable 350mA 10W art. no.: 0110.350.10.1	€ 29,50
	Dimmable DALI 350mA 18W art. no.: 0118.350.15.1	€ 55,00

CIRC 10

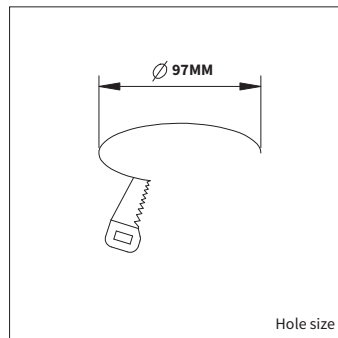
INFORMATION

! Only luminaire body, lightsource and/or driver excluded.

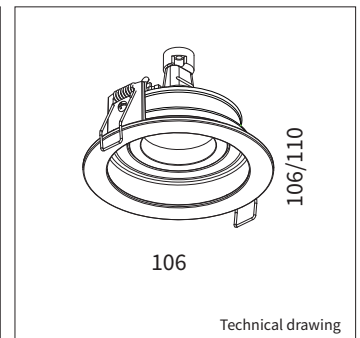
LMR includes a driver, cable and plug.

LMR **Dim to Warm** includes a dimmable driver, cable and plug.

Keylight International reserves the right to modify or change technical, construction or LED specifications due to continuous improvements of our products and lightsources.



Hole size



Technical drawing

ART.NR.	LAMP TYPE	BRAND	LUMINOUS FLUX	OUTPUT POWER	MODULE EFFICIENCY	COLOUR TEMPERATURE	CRI	TC LIFETIME	BEAM ANGLE	mA
Δ see colors										
! 4098.001.98.Δ	MR16	~	~	Max. 50W	~	~	~	~	~	~
! 4098.002.98.Δ	Gu10	~	~	Max. 50W	~	~	~	~	~	~
4098.171.20.Δ	LMR50	Bridgelux V6	575LM	6,8W	85LM/W	2700K	>90	30.000 Hrs	20°	350
4098.172.30.Δ	LMR50	Bridgelux V6	575LM	6,8W	85LM/W	2700K	>90	30.000 Hrs	30°	350
4098.173.20.Δ	LMR50	Bridgelux V6	600LM	6,8W	88LM/W	3000K	>90	30.000 Hrs	20°	350
4098.174.30.Δ	LMR50	Bridgelux V6	600LM	6,8W	88LM/W	3000K	>90	30.000 Hrs	30°	350
4098.175.20.Δ	LMR50	Sharp GW6	563LM	6,6W	85LM/W	2000 - 2800K DTW	>80	30.000 Hrs	20°	350
4098.176.30.Δ	LMR50	Sharp GW6	563LM	6,6W	85LM/W	2000 - 2800K DTW	>80	30.000 Hrs	30°	350