



CAP R2

PRODUCT MATERIAL	Die-cast Aluminium
LIGHT SOURCE	Bridgelux
MODULE LIFETIME	Approx. 50.000 hours
LED COOLING	Passive cooling
DRIVER	Incl. driver + cable and plug
COLORS	<input type="radio"/> 3 = RAL 9003 white <input checked="" type="radio"/> 5 = RAL 9005 black
BEAM ANGLE	28°
ADJUSTABLE	Yes
SIZE	208 X 105 X 70MM



OPTIONS LMR

GLASS COVER CLEAR	2x Glass IP44 art. no.: 0053.999.99.0	€ 15,00
GLASS FILTER	2x Filter 2400K glass art. no.: 4006.999.27.0	€ 60,00
DIMMABLE DRIVERS 350mA <i>IN COMBINATION WITH THIS LUMINAIRE. ADDITIONAL PRICE.</i>	1/10v Dimmable 350mA 20W art. no.: 0137.110.20.0	€ 63,00
	Phase-cut Dimmable 350mA 18W art. no.: 0115.350.18.1	€ 29,00
	Dimmable DALI 350mA 18W art. no.: 0118.350.15.1	€ 55,00

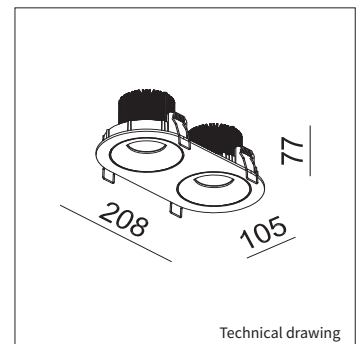
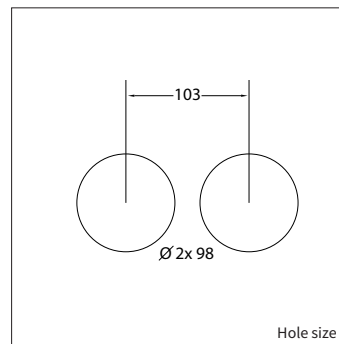
CAP R2

INFORMATION

WARRANTY	3 years
-----------------	---------

Δ = See color code.
This luminaire is "plug & play". Cable and plug included.

Keylight International reserves the right to modify or change technical, construction or LED specifications due to continuous improvements of our products and lightsources.



ART.NR.	LAMP TYPE	BRAND	LUMINOUS FLUX	OUTPUT POWER	MODULE EFFICIENCY	COLOUR TEMPERATURE	CRI	TC LIFETIME	mA
4055.990.28.Δ	BXRA	Bridgelux	2X 600LM	2X 6,6W	86LM/W	2700K	>80	50.000 Hrs	2x 350 mA
4055.991.28.Δ	BXRA	Bridgelux	2X 600LM	2X 6,6W	86LM/W	3000K	>80	50.000 Hrs	2x 350 mA