



BOOST 50

PRODUCT MATERIAL	Steel and aluminium
LIGHT SOURCE	Philips DLM Flex ES / DLM Flex G2
MODULE LIFETIME	DLM Flex ES: 50.000 Hrs DLM Flex G2: 60.000 Hrs
LED COOLING	Passive cooling
DRIVER DLM	Incl. standard xitanium driver.
COLORS Δ	○ 3 = RAL 9003 white ● 5 = RAL 9005 black ● 6 = RAL 9006 alu
BEAM ANGLE	Acryliclic 515mm reflector
ADJUSTABLE	No
SIZE	515 X 493MM

OPTIONS

COLORS	Available in all RAL colours on request Additional price + 10%
DIMMABLE	Dimmable DALI for DLM Flex G2 € 60,00
GLASS & IP RING	Optional IP44 cover on request



BOOST 50

INFORMATION

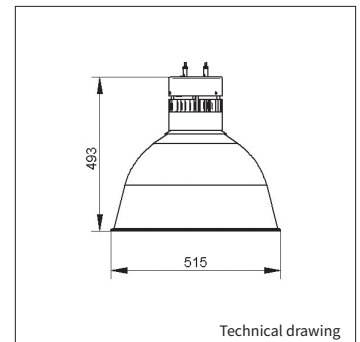
WARRANTY	5 Years
-----------------	---------

Δ = product color code. See colors

1.5m suspension set standard.

Acryliclic 515mm reflector

Keylight International reserves the right to modify or change technical, construction or LED specifications due to continuous improvements of our products and light sources. The light source in this product can be replaced with an equivalent module made by Philips, Osram or Tridonic.



Technical drawing

FORTIMO DLM EASE SELECT G1

Different lumen output or wattages available on request

ART.NR.	LUMEN	PHILIPS FORTIMO DLM ES G1	HOUSING	LUMINOUS FLUX	MODULE EFFICIENCY	OUTPUT POWER	COLOUR TEMPERATURE	CRI	INPUT VOLTAGE	TC	POWER FACTOR	TC LIFETIME
7515.281.Δ	1100	FORTIMO DLM ES 830	Low	1080LM	114LM/W	10W	3000K	>80	230V	85°C	>0,9	50.000 Hrs
7515.282.Δ	1100	FORTIMO DLM ES 840	Low	1100LM	116LM/W	10W	4000K	>80	230V	85°C	>0,9	50.000 Hrs
7515.283.Δ	2000	FORTIMO DLM ES 830	Low	1930LM	110LM/W	18W	3000K	>80	230V	85°C	>0,9	50.000 Hrs
7515.284.Δ	2000	FORTIMO DLM ES 840	Low	2000LM	114LM/W	18W	4000K	>80	230V	85°C	>0,9	50.000 Hrs
7515.285.Δ	3000	FORTIMO DLM ES 830	Low	2850LM	108LM/W	26.5W	3000K	>80	230V	85°C	>0,9	50.000 Hrs
7515.286.Δ	3000	FORTIMO DLM ES 840	Low	3000LM	108LM/W	26.5W	4000K	>80	230V	85°C	>0,9	50.000 Hrs

High efficiency is the standard Keylight setting for all DLM G2 LED modules. For technical and warranty information regarding high efficiency, see page 300. Standard system warranty is 5 years.

FORTIMO DLM FLEX G2

Different lumen output or wattages available on request

ART.NR.	LUMEN	PHILIPS FORTIMO DLM G2	HOUSING	LUMINOUS FLUX	MODULE EFFICIENCY	OUTPUT POWER	COLOUR TEMPERATURE	CRI	INPUT VOLTAGE	TC	POWER FACTOR	TC LIFETIME
7515.101.Δ	1100	DLM FLEX 830 G2	Low	1075LM	115LM/W	9.8W	3000K	>80	34V	85°C	>0,9	60.000 Hrs
7515.102.Δ	1100	DLM FLEX 840 G2	Low	1075LM	127LM/W	8.6W	4000K	>80	34V	85°C	>0,9	60.000 Hrs
7515.103.Δ	2000	DLM FLEX 830 G2	Low	1954LM	113LM/W	17.6W	3000K	>80	34V	85°C	>0,9	60.000 Hrs
7515.104.Δ	2000	DLM FLEX 840 G2	Low	1954LM	125LM/W	16.0W	4000K	>80	34V	85°C	>0,9	60.000 Hrs
7515.105.Δ	3000	DLM FLEX 830 G2	Low	2931LM	115LM/W	26.8W	3000K	>80	34V	85°C	>0,9	60.000 Hrs
7515.106.Δ	3000	DLM FLEX 840 G2	Low	2931LM	127LM/W	23.4W	4000K	>80	34V	85°C	>0,9	60.000 Hrs

High efficiency is the standard Keylight setting for all DLM G2 LED modules. For technical and warranty information regarding high efficiency, see page 300. Standard system warranty is 5 years.