



BOOST 30

PRODUCT MATERIAL	Steel + alu
LIGHT SOURCE	Philips DLM Flex ES
MODULE LIFETIME	Approx. 50.000 hours
LED COOLING	Passive cooling
DRIVER	Incl. Integrated driver.
COLORS (Δ)	<ul style="list-style-type: none"> ○ 3 = RAL 9003 white ● 5 = RAL 9005 black ● 6 = RAL 9006 alu
BEAM ANGLE	N/A
ADJUSTABLE	No
SIZE	315 X 285MM

OPTIONS

COLORS	Available in all RAL colours on request Additional price + 10%
GLASS & IP RING	Optional IP44 cover on request

INFORMATION

WARRANTY	5 Years
-----------------	---------

Δ = product color code. See colors

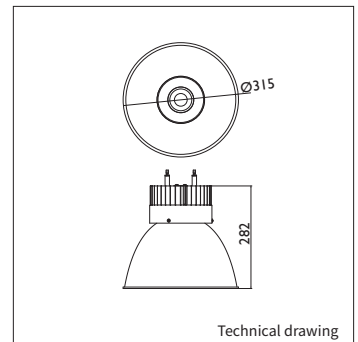
1.5m suspension set standard.

Acrylic 315mm reflector

Keylight International reserves the right to modify or change technical, construction or LED specifications due to continuous improvements of our products and lightsources. The light source in this product can be replaced with an equivalent module made by Philips, Osram or Tridonic.



BOOST 30



Technical drawing

FORTIMO DLM EASE SELECT G1

Different lumen output or wattages available on request

ART.NR.	LUMEN	PHILIPS FORTIMO DLM ES G1	HOUSING	LUMINOUS FLUX	MODULE EFFICIENCY	OUTPUT POWER	COLOUR TEMPERATURE	CRI	INPUT VOLTAGE	TC	POWER FACTOR	TC LIFETIME
7315.281.92.Δ	1100	FORTIMO DLM ES 830	Low	1080LM	114LM/W	10W	3000K	>80	230V	85°C	>0,9	50.000 Hrs
7315.282.92.Δ	1100	FORTIMO DLM ES 840	Low	1100LM	116LM/W	10W	4000K	>80	230V	85°C	>0,9	50.000 Hrs
7315.283.92.Δ	2000	FORTIMO DLM ES 830	Low	1930LM	110LM/W	18W	3000K	>80	230V	85°C	>0,9	50.000 Hrs
7315.284.92.Δ	2000	FORTIMO DLM ES 840	Low	2000LM	114LM/W	18W	4000K	>80	230V	85°C	>0,9	50.000 Hrs
7315.285.92.Δ	3000	FORTIMO DLM ES 830	Low	2850LM	108LM/W	26.5W	3000K	>80	230V	85°C	>0,9	50.000 Hrs
7315.286.92.Δ	3000	FORTIMO DLM ES 840	Low	3000LM	108LM/W	26.5W	4000K	>80	230V	85°C	>0,9	50.000 Hrs

Δ See colors

High efficiency is the standard Keylight setting for all DLM G2 LED modules. For technical and warranty information regarding high efficiency, see page 300. Standard system warranty is 5 years.