



BLOCK S

PRODUCT MATERIAL	Aluminium
LIGHT SOURCE	XM-L
MODULE LIFETIME	Approx. 30.000 hours
LED COOLING	Passive cooling
DRIVER	Incl. driver.
COLORS (Δ)	<ul style="list-style-type: none"> ○ 3 = RAL 9003 white ● 5 = RAL 9005 black ● 9 = Alu brushed - white inside
SIZE	102 X 102 X 102MM



OPTIONS

DIMMABLE	Phase-cut 350 mA 10W (build-in) € 55,00 art. no.: 0117.350.10.0
ACCESSOIRES	Incl. 3 different beam width covers

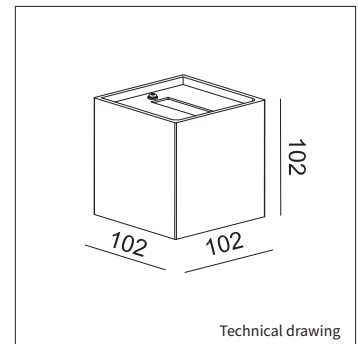
INFORMATION

WARRANTY	2 Years
-----------------	---------

Δ = product color code. See colors

Keylight International reserves the right to modify or change technical, construction or LED specifications due to continuous improvements of our products and lightsources.

BLOCK S



ART.NR.	LAMP TYPE	BRAND	LUMINOUS FLUX	OUTPUT POWER	MODULE EFFICIENCY	COLOUR TEMPERATURE	CRI	TC LIFETIME	mA
Δ see colors									
6012.990.99Δ	XM-L	Cree	320LM	4W	80LM/W	2700K	>80	30.000 Hrs	350