



BLOCK O

PRODUCT MATERIAL	Die-cast aluminium
LIGHT SOURCE	XP-E
MODULE LIFETIME	Approx. 30.000 hours
LED COOLING	Passive cooling
DRIVER	Incl. driver.
COLORS (Δ)	○ 3 = RAL 9003 white ● 5 = RAL 9005 black
BEAM ANGLE	30°
SIZE	80 X 85 X 70MM



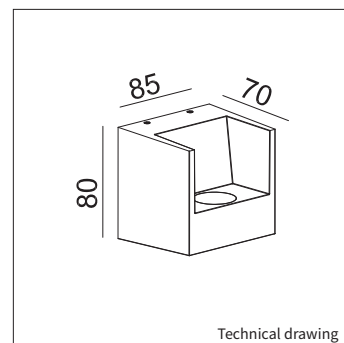
INFORMATION

WARRANTY	2 Years
-----------------	---------

Δ = product color code. See colors

Keylight International reserves the right to modify or change technical, construction or LED specifications due to continuous improvements of our products and lightsources.

BLOCK O



ART.NR.	LAMP TYPE	BRAND	LUMINOUS FLUX	OUTPUT POWER	MODULE EFFICIENCY	COLOUR TEMPERATURE	CRI	TC LIFETIME	mA
Δ see colors									
6800.990.30Δ	XP-E	Cree	280LM	2.5W	112LM/W	2700K	>80	30.000	700