



BLOCK O

| | |
|-------------------------|----------------------------------------------|
| PRODUCT MATERIAL | Die-cast aluminium |
| LIGHT SOURCE | XP-E |
| MODULE LIFETIME | Approx. 30.000 hours |
| LED COOLING | Passive cooling |
| DRIVER | Incl. driver. |
| COLORS (Δ) | ○ 3 = RAL 9003 white ● 5 = RAL 9005 black |
| BEAM ANGLE | 30° |
| SIZE | 80 X 85 X 70MM |



OPTIONS

| | |
|-----------------|---------------------|
| DIMMABLE | Dimmable on request |
|-----------------|---------------------|

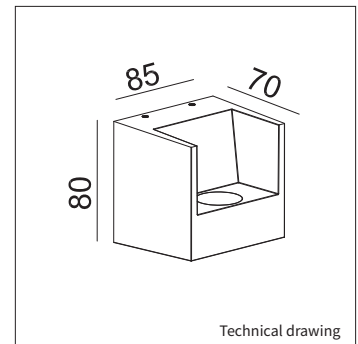
INFORMATION

| | |
|-----------------|---------|
| WARRANTY | 2 Years |
|-----------------|---------|

Δ = product color code. See colors

Keylight International reserves the right to modify or change technical, construction or LED specifications due to continuous improvements of our products and lightsources.

BLOCK O



| ART.NR. | LAMP TYPE | BRAND | LUMINOUS FLUX | OUTPUT POWER | MODULE EFFICIENCY | COLOUR TEMPERATURE | CRI | TC LIFETIME | mA |
|--------------|-----------|-------|---------------|--------------|-------------------|--------------------|-----|-------------|-----|
| Δ see colors | | | | | | | | | |
| 6800.990.30Δ | XP-E | Cree | 280LM | 2.5W | 112LM/W | 2700K | >80 | 30.000 | 700 |