



BLOCK C UD

PRODUCT MATERIAL	Die-cast aluminium
LIGHT SOURCE	XP-E
MODULE LIFETIME	Approx. 30.000 hours
LED COOLING	Passive cooling
DRIVER	Incl. driver.
COLORS (Δ)	○ 3 = RAL 9003 white ● 5 = RAL 9005 black
BEAM ANGLE	30°
SIZE	120 X 78 X 70MM



OPTIONS

DIMMABLE	Trailing or leading-edge dimmable 350-700mA 12W (Build-in) art. no.: 0350.700.99.9	€ 55,00
-----------------	--	---------

INFORMATION

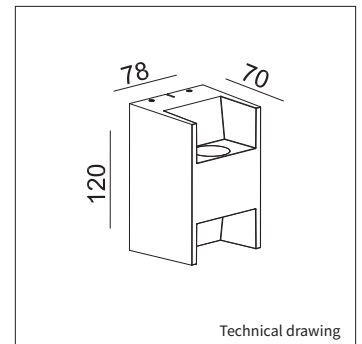
WARRANTY	2 Years
-----------------	---------

Δ = product color code. See colors

Also available as a dimmable version on request (external driver).

Keylight International reserves the right to modify or change technical, construction or LED specifications due to continuous improvements of our products and lightsources.

BLOCK C UD



ART.NR.	LAMP TYPE	BRAND	LUMINOUS FLUX	OUTPUT POWER	MODULE EFFICIENCY	COLOUR TEMPERATURE	CRI	TC LIFETIME	mA
Δ see colors									
6013.990.30.5	XP-E	Cree	280LM	2 X 2.5W	112LM/W	3000K	>80	30.000 Hrs	700
6013.270.30.Δ	XP-E	Cree	280LM	2 X 2.5W	112LM/W	2700K	>80	30.000 Hrs	700