

BASIC 13



PRODUCT MATERIAL	Die-cast aluminium
LIGHT SOURCE	LMR50 / MR16 / Gu10
DRIVER	LMR50 includes a driver
COLORS (Δ)	○ 3 = RAL 9003 White ● 5 = RAL 9005 Black
BEAM ANGLE	
ADJUSTABLE	Yes
SIZE	130 X 130 X 43/100MM



OPTIONS LMR

DIMMABLE DRIVERS <small>IN COMBINATION WITH THIS LUMINAIRE. ADDITIONAL PRICE.</small>	1/10v Dimmable 350mA 10W art. no.: 0110.350.10.1	€ 29,50
	Phase-cut Dimmable 350mA 10W art. no.: 0110.350.10.1	€ 29,50
	Dimmable DALI 350mA 18W art. no.: 0118.350.15.1	€ 55,00
GLASS COVER CLEAR	LMR50 glass IP44 art. no.: 0053.999.99.0	€ 7,50

BASIC 13

INFORMATION

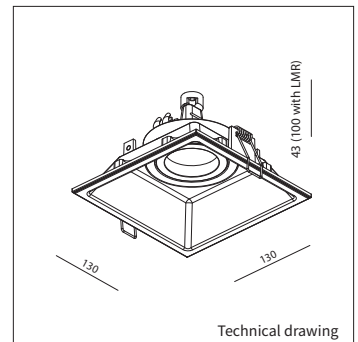
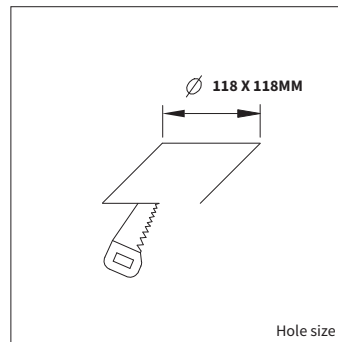
! Only luminaire body, lightsource and/or driver excluded.

LMR includes a driver, cable and plug.

LMR **Dim to Warm** includes a dimmable driver, cable and plug.

Including an assembly plate to mount a single unit into a double, triple, quadruple or "L" shape unit easily in a short time

Keylight International reserves the right to modify or change technical, construction or LED specifications due to continuous improvements of our products and lightsources.



ART.NR.	LAMP TYPE	BRAND	LUMINOUS FLUX	OUTPUT POWER	MODULE EFFICIENCY	COLOUR TEMPERATURE	CRI	TC LIFETIME	BEAM ANGLE	mA
Δ see colors										
! 4908.001.98.Δ	MR16 / Gu10	~	~	Max. 50W	~	~	~	~	~	~
4908.171.20.Δ	LMR50	Bridgelux V6	575LM	6,8W	85LM/W	2700K	>90	30.000 Hrs	20°	350
4908.172.30.Δ	LMR50	Bridgelux V6	575LM	6,8W	85LM/W	2700K	>90	30.000 Hrs	30°	350
4908.173.20.Δ	LMR50	Bridgelux V6	600LM	6,8W	88LM/W	3000K	>90	30.000 Hrs	20°	350
4908.174.30.Δ	LMR50	Bridgelux V6	600LM	6,8W	88LM/W	3000K	>90	30.000 Hrs	30°	350
4908.175.20.Δ	LMR50	Sharp GW6	563LM	6,6W	85LM/W	2000 - 2800K DTW	>80	30.000 Hrs	20°	350
4908.176.30.Δ	LMR50	Sharp GW6	563LM	6,6W	85LM/W	2000 - 2800K DTW	>80	30.000 Hrs	30°	350