



AUSTIN 58

PRODUCT MATERIAL	Steel and Alu
LIGHT SOURCE	Philips LED Module
MODULE LIFETIME	Approx. 50.000 hours
LED COOLING	Passive cooling
DRIVER	Incl. Xitanium driver.
COLORS	<ul style="list-style-type: none"> ○ 3 = RAL 9003 white ● 5 = RAL 9005 black ● 6 = RAL 9006 alu
DIFFUSER	Opal
ADJUSTABLE	Yes
SIZE	583 X 162MM



OPTIONS

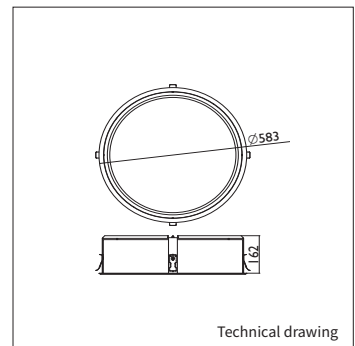
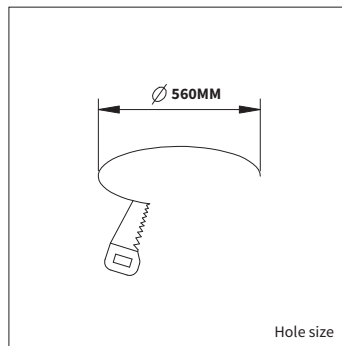
COLORS	Available in all RAL colours on request		
	Additional price + 10%		
EMERGENCY BALLAST	0187.003.1	1 hours	€ 180,00
DIMMABLE	Dimmable DALI		€ 60,00
RECESSED RING*	Semi-recessed ring		€ 45,00

AUSTIN 58

INFORMATION

Δ see colors

* This luminaire is also available with an additional ring which turns the luminaire into a semi recessed housing. The opal diffuser can be mounted on 3 different levels, flat recessed or semi-recessed.



Keylight International reserves the right to modify or change technical, construction or LED specifications due to continuous improvements of our products and light sources. The light source in this product can be replaced with an equivalent module made by Philips, Osram or Tridonic.

ART.NR.	LAMP TYPE	BRAND	LUMINOUS FLUX	OUTPUT POWER	MODULE EFFICIENCY	COLOUR TEMPERATURE	CRI	TC LIFETIME	POWER FACTOR
Δ see color									
4033.183.91Δ	LED Plate	Philips	3900LM	29W	134LM/W	3000K	>80	50.000 Hrs	>09,
4033.184.91Δ	LED Plate	Philips	4000LM	29W	138LM/W	4000K	>80	50.000 Hrs	>09,
4033.185.91Δ	LED Plate	Philips	5200LM	37W	140LM/W	3000K	>80	50.000 Hrs	>09,
4033.186.91Δ	LED Plate	Philips	5200LM	37W	140LM/W	4000K	>80	50.000 Hrs	>09,